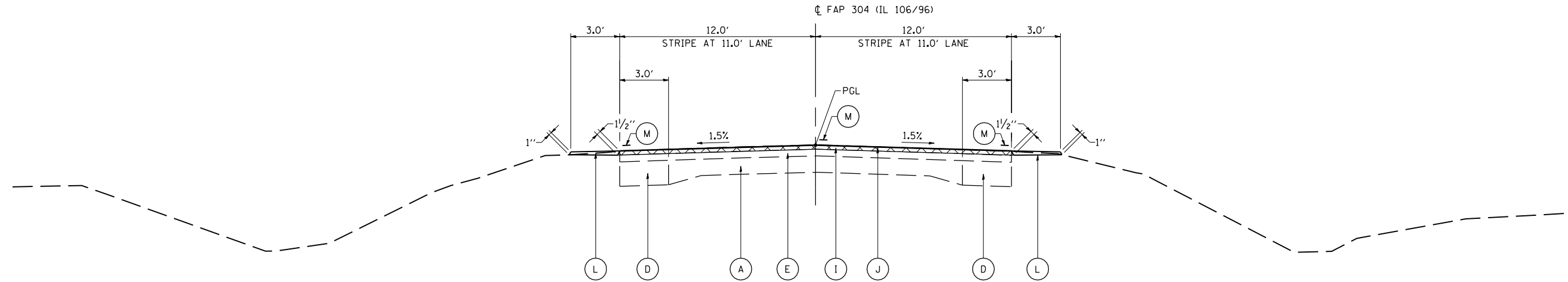


F.A.P. RTE.	SECTION	COUNTY	TOTAL SHEETS	SHEET NO.
304		PIKE	16	8

STA.	TO STA.
FED. ROAD DIST. NO.	ILLINOIS FED. AID PROJECT

• 101(RS-5); 14(RS-6)



TYPICAL SECTION #6 - PART "B"

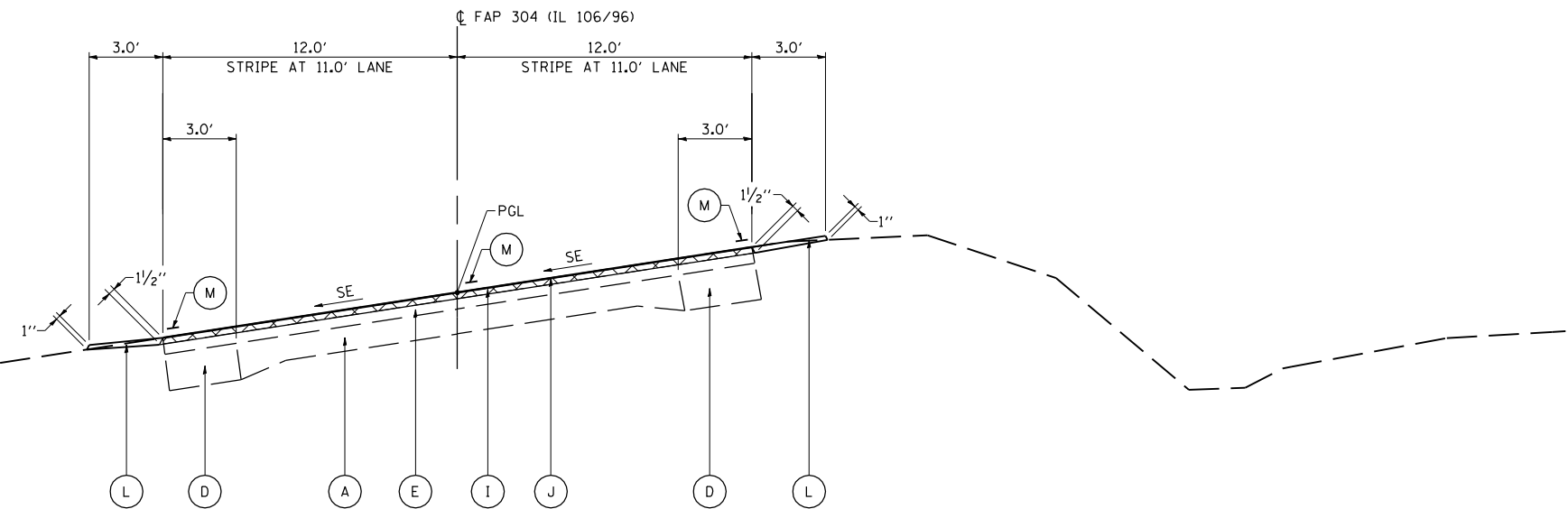
STA. 1173+00.00 - 1178+50.00
 STA. 1183+15.00 - 1186+23.31
 STA. 1195+29.59 - 1200+11.00
 STA. 1206+84.03 - 1219+00.50
 STA. 1227+02.70 - 1233+94.83
 STA. 1233+94.83 - 1234+92.92, RT.

NOTE:

PER THE MIXTURE REQUIREMENTS STATED IN THE GENERAL NOTES;
 THE HOT-MIX ASPHALT SURFACE COURSE WILL ALSO EXTEND TO
 COVER THE PROPOSED SHOULDERS LESS THAN 3.0' IN WIDTH.
 SHOULDERS LESS THAN 3.0' IN WIDTH WILL BE PAID
 FOR AS HOT-MIX ASPHALT CONCRETE SURFACE COURSE.
 SHOULDERS GREATER THAN 3.0' IN WIDTH WILL BE PAID
 FOR AS HOT-MIX ASPHALT SHOULDERS.

LEGEND

- (A) EXIST. PCC PAVEMENT (9-6-9)
- (B) EXIST. SUB-BASE GRANULAR MATERIAL (4")
- (C) EXIST. BITUMINOUS BASE COURSE (8")
- (D) EXIST. BITUMINOUS BASE COURSE WIDENING (9")
- (E) EXIST. BITUMINOUS SURFACE COURSE (4"±)
- (F) EXIST. BITUMINOUS SHOULDER (6")
- (G) EXIST. BITUMINOUS SHOULDER (8")
- (H) EXIST. CONCRETE GUTTER
- (I) PR. BITUMINOUS SURFACE REMOVAL, VARIABLE DEPTH (1/2" AVERAGE)
- (J) PR. BITUMINOUS CONCRETE SURFACE COURSE (1/2")
- (K) PR. BITUMINOUS SHOULDERS (1/2")
- (L) PR. AGGREGATE SHOULDERS, TYPE B
- (M) PR. PAVEMENT MARKING, LINE-5"



TYPICAL SECTION #7 - PART "B"

STA. 1186+23.31 - 1187+10.86 - SE TRANSITION
 STA. 1187+10.86 - 1194+38.84 - FULL SE = 0.033 FT/FT (ROTATED 180° AS SHOWN)
 STA. 1194+38.84 - 1195+29.59 - SE TRANSITION
 STA. 1202+35.00 - 1205+91.01 - FULL SE = 0.036 FT/FT
 STA. 1205+91.01 - 1206+84.03 - SE TRANSITION
 STA. 1219+00.50 - 1220+89.50 - SE TRANSITION
 STA. 1220+89.50 - 1225+13.70 - FULL SE = 0.060 FT/FT (ROTATED 180° AS SHOWN)
 STA. 1225+13.70 - 1227+02.70 - SE TRANSITION

REVISIONS	
NAME	DATE

ILLINOIS DEPARTMENT OF TRANSPORTATION
TYPICAL SECTIONS
 FAP RTE. 304 (IL 106/96)
 SEC. 101(RS-5); 14(RS-6)
 PIKE COUNTY

SCALE: VERT.
 HORIZ.
 DATE 10-27-06

DRAWN BY TMJ
 CHECKED BY JCN

PLOT DATE = 12/11/2006
 FILE NAME = c:\p\projects\4656987\sh\typical.dgn
 PLOT SCALE = 21,176' / IN.
 USER NAME = laughlin-1