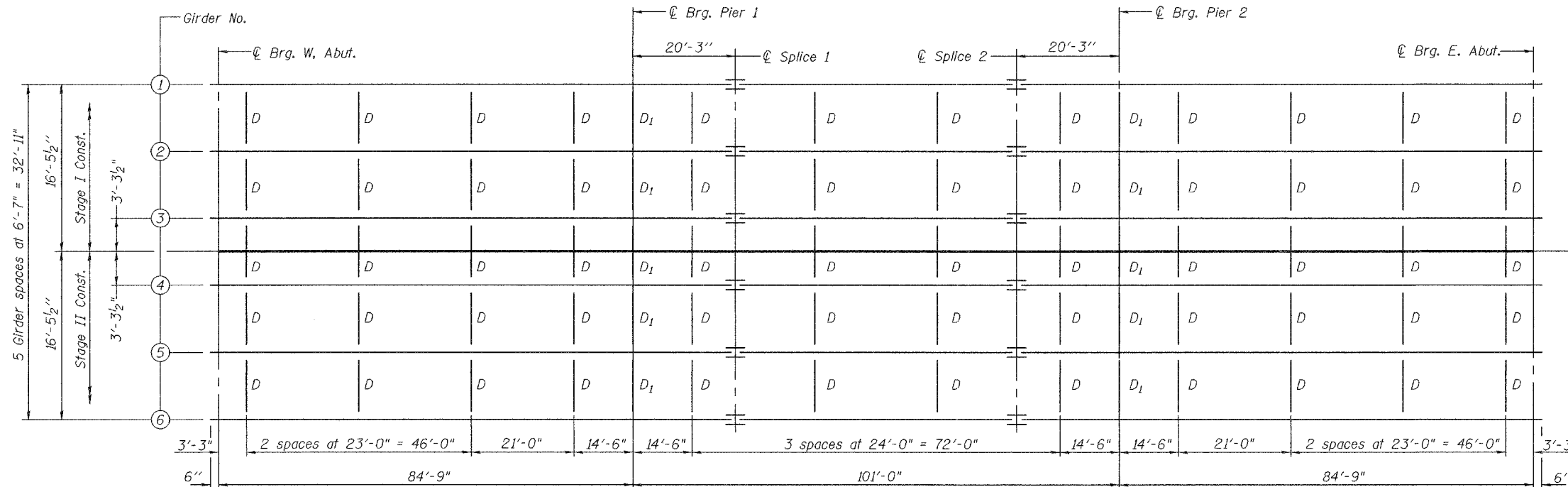


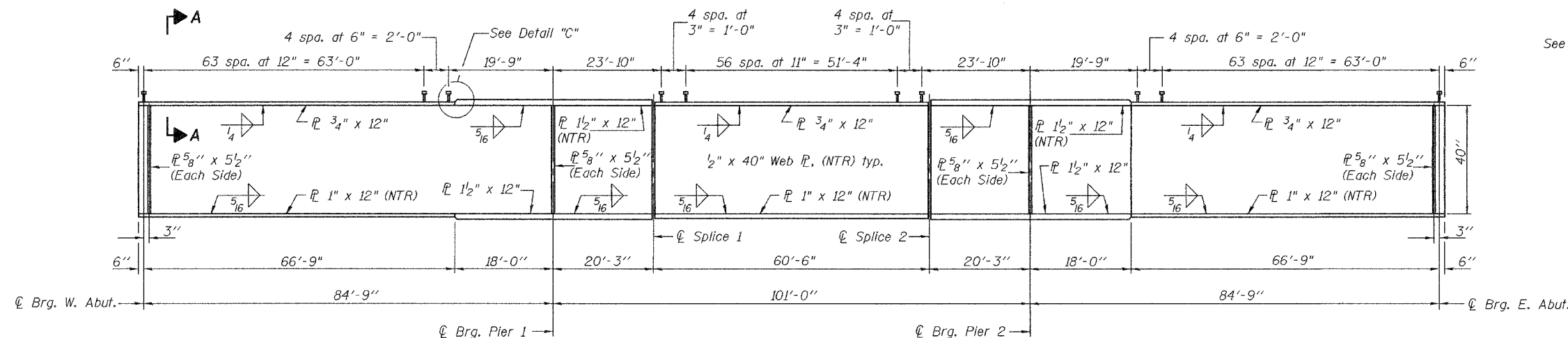
STATE OF ILLINOIS
DEPARTMENT OF TRANSPORTATION

ROUTE NO.	SECTION	COUNTY	TOTAL SHEETS	SHEET	SHEET NO. 10 22 SHEETS
F.A.S. 1842	106BR	ST. CLAIR	61	31	
FED. ROAD DIST. NO. 7	ILLINOIS	FED. AID PROJECT-			

Contract No. 76129

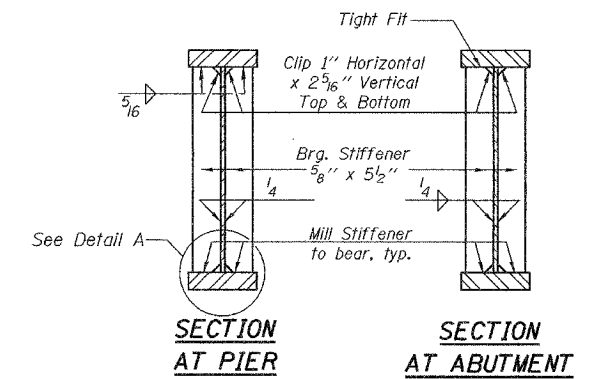


PLAN



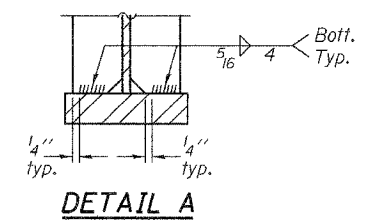
GIRDER ELEVATION

All plates of the girder, including bearing stiffeners, shall be AASHTO M270 Grade 50.



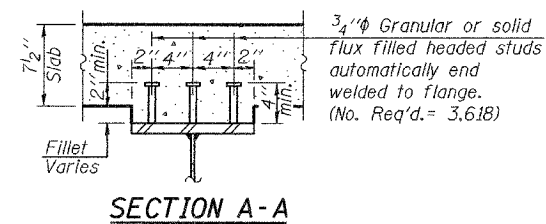
SECTION AT PIER

SECTION AT ABUTMENT

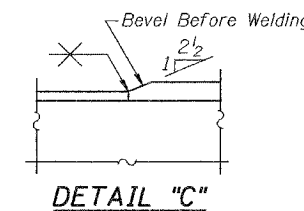


DETAIL A

Note:
Load carrying components designated "NTR" shall conform to the Supplemental Requirements for Notch Toughness, Zone 2.



SECTION A-A



DETAIL "C"

DESIGNED	JEK
CHECKED	RLM
DRAWN	DMC AMBER SEIBER
CHECKED	RLM

January 23, 2007
EXAMINED *Thomas J. Damgalaki*
SUPERVISOR OF BRIDGE DESIGN
PASSED *Ralph E. Anderson*
ENGINEER OF BRIDGES AND STRUCTURES

STRUCTURAL STEEL
F.A.S. ROUTE 1842 - SECTION 106BR
ST. CLAIR COUNTY
STATION 669+65.50
STRUCTURE NO. 082-0387