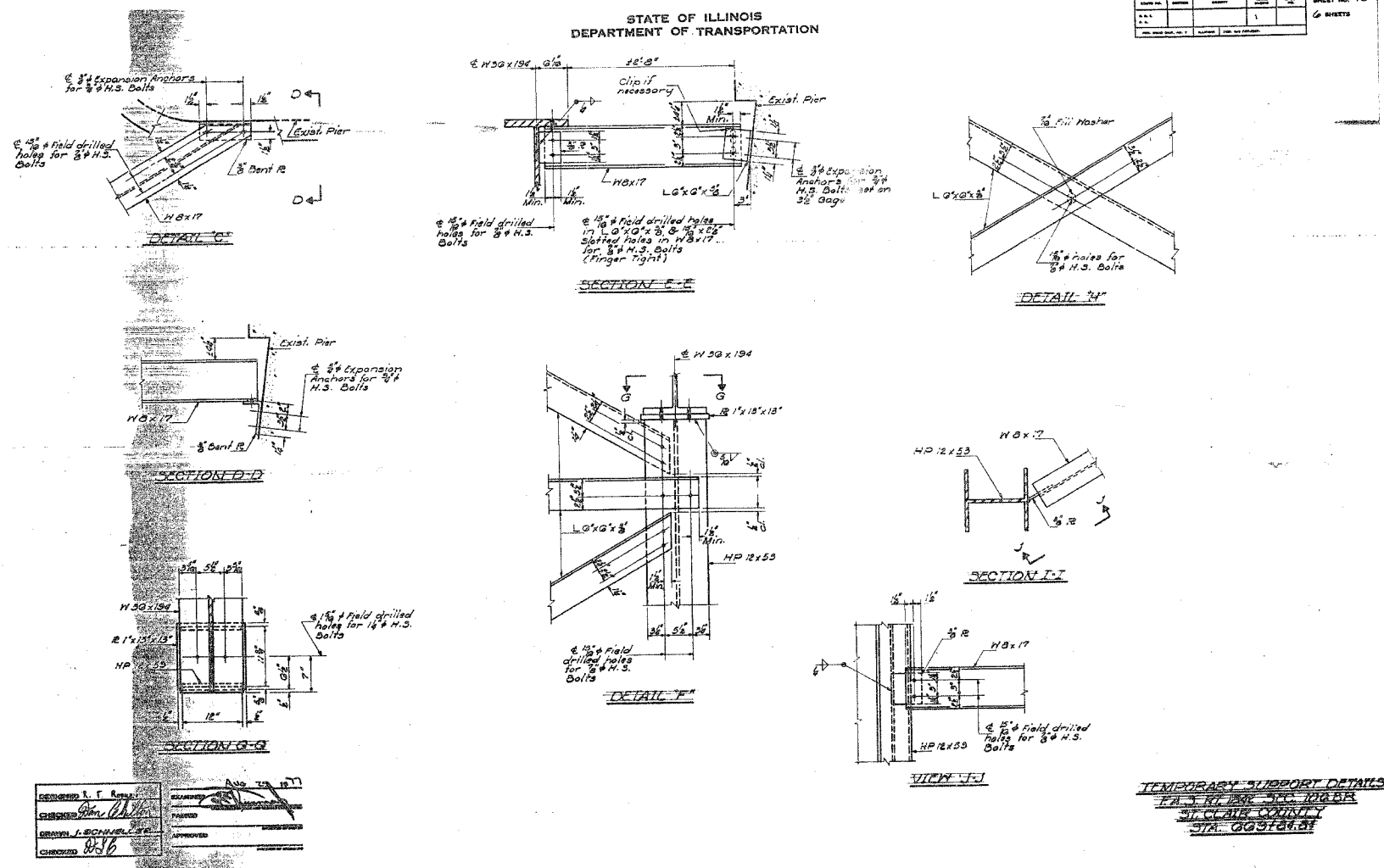


F.A.P. RTE.	SECTION	COUNTY	TOTAL SHEETS	SHEET NO.
789	54BR-1	MADISON	61	49
STA.		TO STA.		
FED. ROAD DIST. NO.	ILLINOIS	FED. AID PROJECT		

DATE	BY	REVISION	NO.

SHEET NO. 49  
6 SHEETS



DESIGNED BY	DATE
CHECKED BY	
DRAWN BY	
CHECKED BY	

FOR INFORMATION ONLY

REVISIONS	
NAME	DATE

ILLINOIS DEPARTMENT OF TRANSPORTATION  
**EXISTING STRUCTURE PLANS**

FAS ROUTE 1842  
SECTION 106BR  
ST CLAIR COUNTY

SCALE: VERT. \_\_\_\_\_  
HORIZ. \_\_\_\_\_

DATE \_\_\_\_\_ DRAWN BY \_\_\_\_\_  
CHECKED BY \_\_\_\_\_

PLOT DATE = 11/21/2006  
 FILE NAME = c:\p\projects\edl4189\plan\pof11d4189d.dgn  
 PLOT SCALE = 50.0000 / IN.  
 REFERENCE = REF#