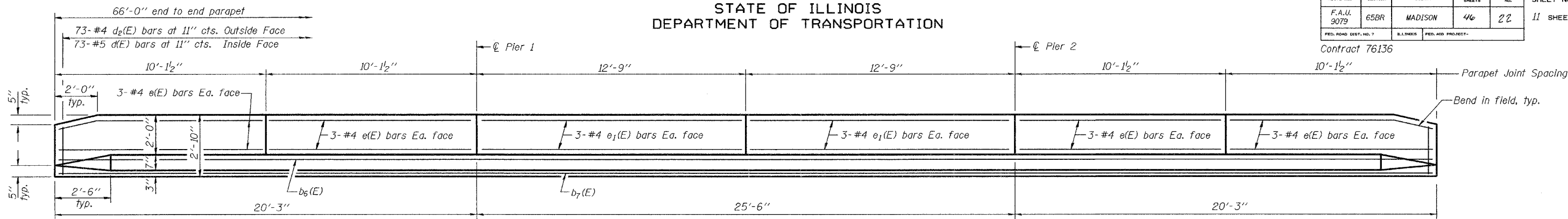


STATE OF ILLINOIS  
DEPARTMENT OF TRANSPORTATION

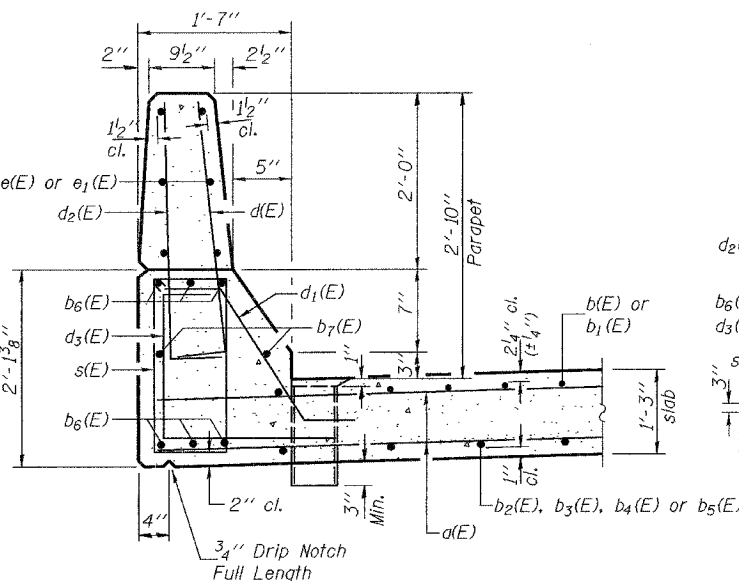
ROUTE NO.	SECTION	COUNTY	TOTAL SHEETS	SHEET NO.	SHEET NO. 5
F.A.U. 9079	65BR	MADISON	46	22	11 SHEETS
FED. ROAD DIST. NO. 7	ILLINOIS	FED. AID PROJECT-			

Contract 76136

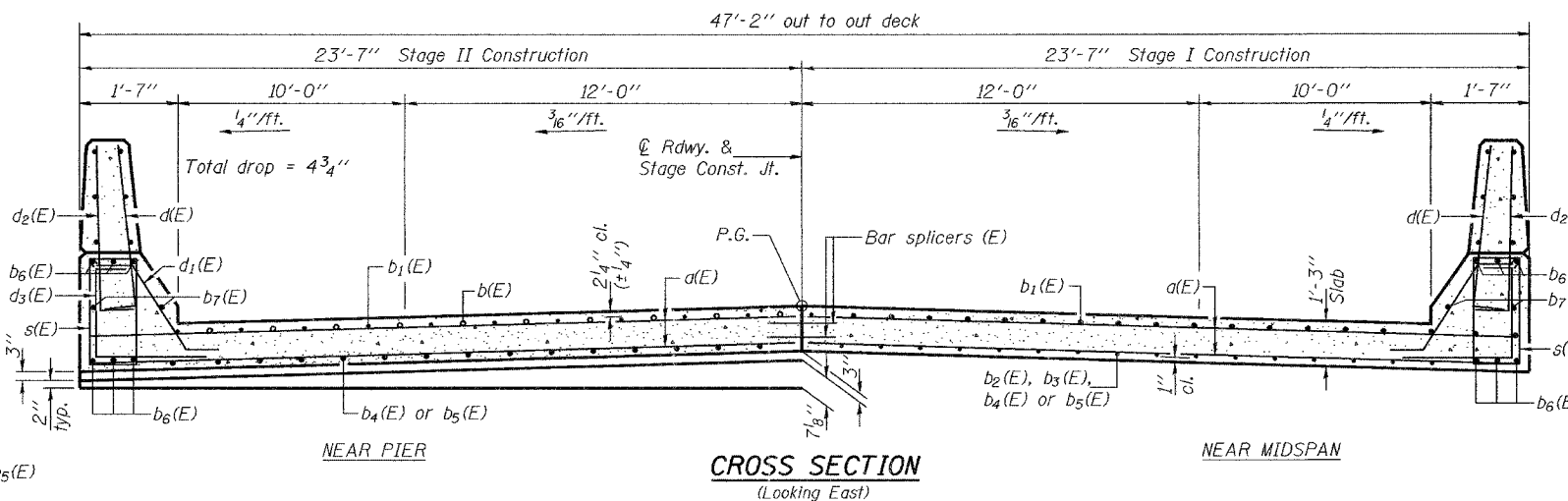


INSIDE ELEVATION OF PARAPET  
(Looking North)

Notes:  
See sheet 1 of 11 for floor drain spacing.  
Space reinforcement bars to clear drains.  
See sheet 10 of 11 for bar splicer details.  
See sheet 4 of 11 for location of Sections A-A and B-B.  
The exterior surfaces of the floor drains shall be coated or pigmented by the manufacturer with a color that matches the color of the concrete.  
Fiberglass pipe shall conform to ASTM D 2996, with short-time rupture strength hoop tensile stress of 30,000 psi minimum.  
The Contractor shall make allowance for the deflection of forms, shrinkage and settlement of falsework, in addition to allowance for dead load deflection. Forms for deck slab shall be removed prior to placement of bridge approach pavement.



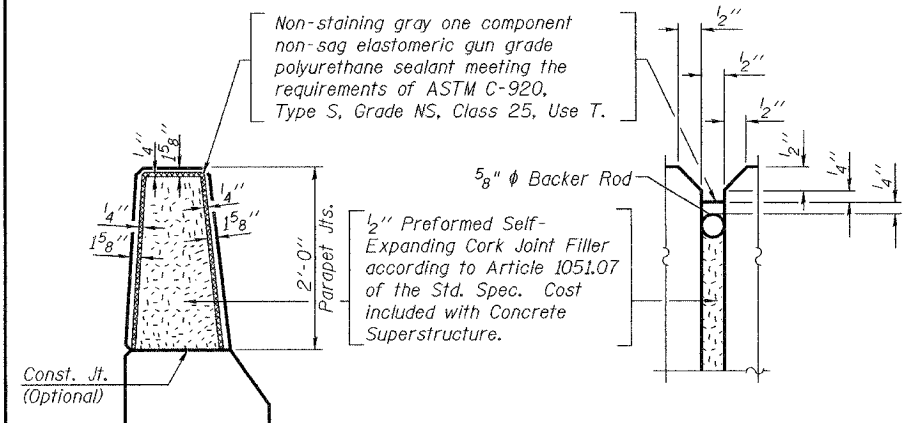
SECTION THRU PARAPET



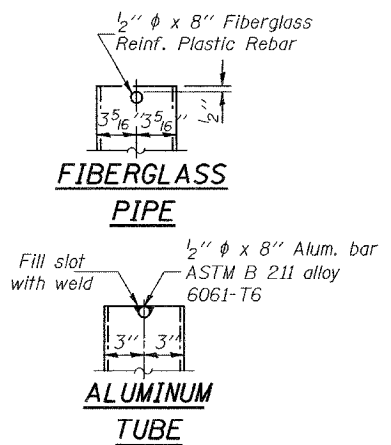
CROSS SECTION  
(Looking East)

SUPERSTRUCTURE  
BILL OF MATERIAL

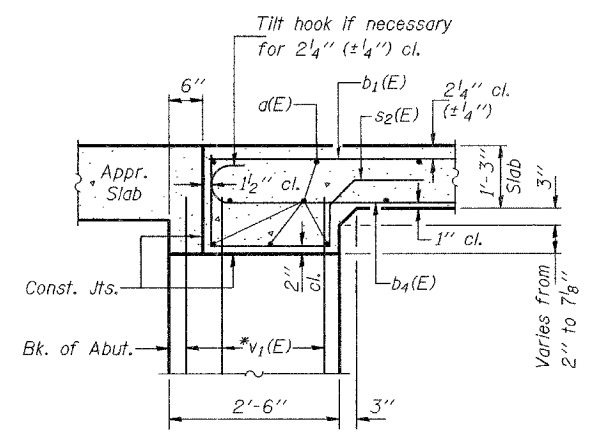
Bar	No.	Size	Length	Shape	
d(E)	244	#5	23'-4"	—	
b(E)	80	#7	12'-6"	—	
b1(E)	84	#7	34'-2"	—	
b2(E)	72	#7	17'-0"	—	
b3(E)	36	#7	18'-6"	—	
b4(E)	76	#7	21'-6"	—	
b5(E)	38	#7	26'-6"	—	
b6(E)	36	#8	25'-0"	—	
b7(E)	12	#5	23'-5"	—	
d1(E)	146	#5	3'-0"	┘	
d2(E)	132	#5	2'-5"	┘	
d3(E)	146	#4	3'-0"	┘	
d4(E)	12	#5	2'-2"	┘	
e(E)	48	#4	9'-10"	—	
e1(E)	24	#4	12'-5"	—	
s(E)	134	#4	6'-1"	□	
s1(E)	96	#5	6'-2"	┘	
s2(E)	96	#5	5'-0"	┘	
Reinforcement Bars, Epoxy Coated				Lbs.	29410
Concrete Superstructure				Cu. Yds.	169.8



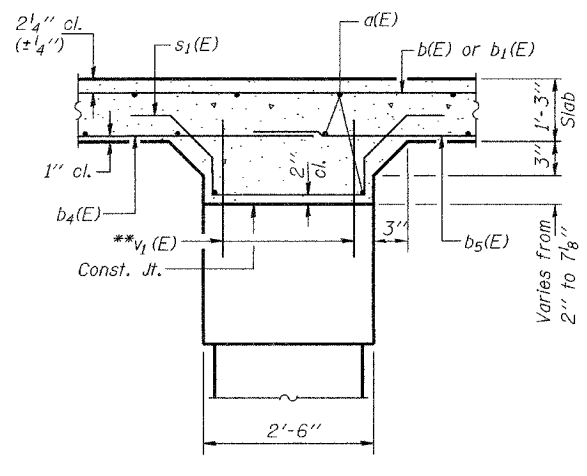
PARAPET JOINT DETAILS



TOP PLAN  
(Showing Aluminum Tube)



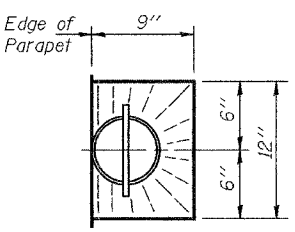
SECTION A-A  
\*v1(E) bars filled with abutments. See sheets 6 & 7 of 11.



SECTION B-B  
\*\*v1(E) bars filled with piers. See sheet 8 of 11.

DESIGNED	R.L.T.
CHECKED	J.P.A. & T.R.B.
DRAWN	BECKY M. LEACH
CHECKED	R.L.T. & G.R.A.

EXAMINED	November 22, 2006
PASSED	Thomas J. Domagalicki ENGINEER OF BRIDGE DESIGN
	Ralph E. Anderson ENGINEER OF BRIDGES AND STRUCTURES



TOP PLAN

SUPERSTRUCTURE DETAILS  
F.A.U. ROUTE 9079 - SECTION 65BR  
MADISON COUNTY  
STATION 388+43.96  
STRUCTURE NO. 060-0236