

F.A.U. RTE.	SECTION	COUNTY	TOTAL SHEETS	SHEET NO.
9079	65BR	MADISON	46	1

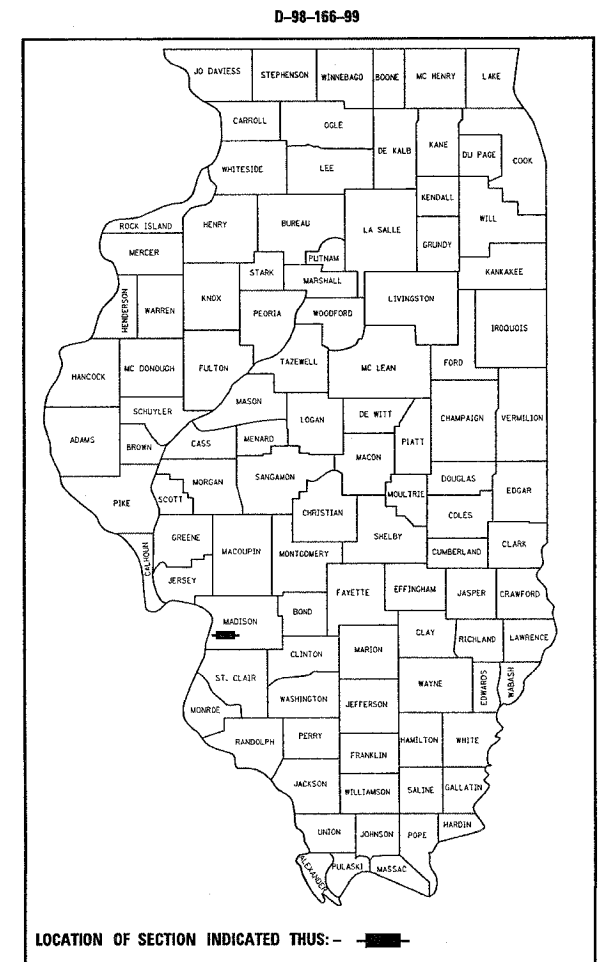
47

STATE OF ILLINOIS  
DEPARTMENT OF TRANSPORTATION  
DIVISION OF HIGHWAYS

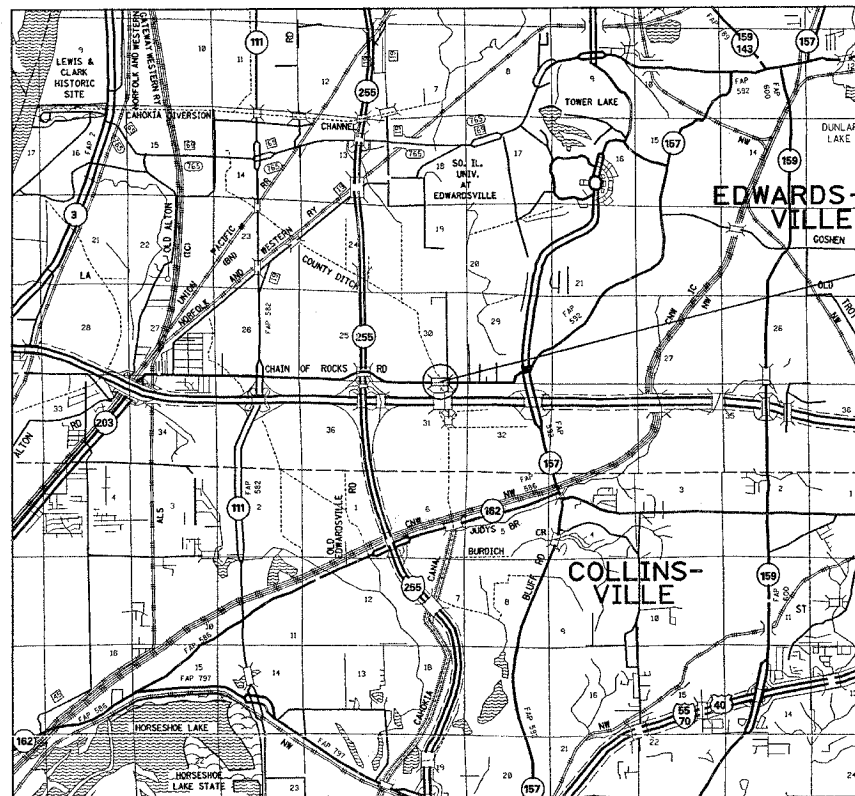
**PROPOSED  
HIGHWAY PLANS**

FAU ROUTE 9079 (CHAIN OF ROCKS)  
SECTION 65BR  
PROJECT: BRM-9079(008)  
BRIDGE REPLACEMENT  
MADISON COUNTY  
C-98-095-01

FOR INDEX OF SHEETS, SEE SHEET NO. 2



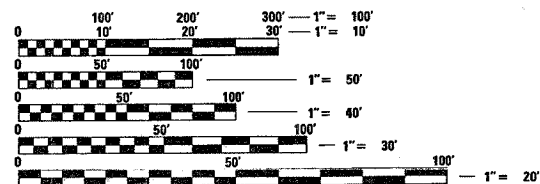
LOCATION OF SECTION INDICATED THUS: - [black rectangle] -



SINGLE SPAN R/C SLAB TO BE REPLACED WITH TRIPLE SPAN CAST-IN-PLACE R/C SLAB AT STA. 388 + 43.96 (67 FT) OVER COUNTY DITCH  
SN 060-0069 (E) 0236 (P)  
BEGIN STA 386 + 00  
END STA 390 + 75

PROJECT ENGINEER: PATTI LeBEAU (618) 346-3179  
SQUAD LEADER: ARTHUR MUEHLFELD (618) 346-3209

MICROFILMED \_\_\_\_\_  
REEL NUMBER \_\_\_\_\_  
AWARDED \_\_\_\_\_  
RESIDENT ENGINEER \_\_\_\_\_  
AS BUILT CHANGES WERE MADE ON THE FOLLOWING SHEETS \_\_\_\_\_



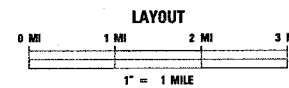
FULL SIZE PLANS HAVE BEEN PREPARED USING STANDARD ENGINEERING SCALES. REDUCED SIZED PLANS WILL NOT CONFORM TO STANDARD SCALES. IN MAKING MEASUREMENTS ON REDUCED PLANS, THE ABOVE SCALES MAY BE USED.

J.U.L.I.E.  
JOINT UTILITY LOCATION INFORMATION FOR EXCAVATION  
1-800-892-0123

DESIGN DESIGNATION  
NA

FAU ROUTE 9079 (CHAIN OF ROCKS)

ADT = 4200 (2002)  
ADT = 7500 (2022)  
SU = 5%  
MU = 2%



LATITUDE 38.76022  
LONGITUDE 90.02823

GROSS LENGTH = 0.013 MILES  
NET LENGTH = 0.013 MILES

CONTRACT NO. 76136

STATE OF ILLINOIS  
DEPARTMENT OF TRANSPORTATION  
DIVISION OF HIGHWAYS

SUBMITTED *October 20, 2006*

*Mary C. Janice*  
DEPUTY DIRECTOR OF HIGHWAYS  
REGION FIVE ENGINEER

*February 2, 2007*  
*Eric E. Haral*  
ENGINEER OF DESIGN AND ENVIRONMENT

*February 2, 2007*  
*Milton R. Sees, P.E.*  
DIRECTOR, DIVISION OF HIGHWAYS

**PRINTED BY THE AUTHORITY  
OF THE STATE OF ILLINOIS**

F.A.U. RTE.	SECTION	COUNTY	TOTAL SHEETS	SHEET NO.
9079	65BR	MADISON	46	2
STA.		TO STA.		
FED. ROAD DIST. NO.		ILLINOIS FED. AID PROJECT		

**INDEX OF SHEETS**

- 1 COVER SHEET
- 2 INDEX OF SHEETS, HIGHWAY STANDARDS, GENERAL NOTES, & COMMITMENTS
- 3-4 SUMMARY OF QUANTITIES
- 5-6 TYPICAL SECTIONS
- 7-8 SCHEDULES
- 9 TIE POINTS AND BENCHMARKS
- 10 PLAN SHEET
- 11-13 PLAN PROFILE SHEETS
- 14-15 STAGE CONSTRUCTION SHEETS
- 16 PLAT OF HIGHWAYS
- 17 MISCELLANEOUS DETAILS
- 18-29 STRUCTURE PLANS  
CROSS SECTIONS
- 30-32 MAINLINE
- 33-35 NORTHWEST ACCESS ROAD
- 36-39 NORTHEAST ACCESS ROAD
- 40-43 SOUTHWEST ACCESS ROAD
- 44-46 SOUTHEAST ACCESS ROAD

**HIGHWAY STANDARDS**

000001-04	635006-02
001001-01	635011-01
001006	666001
280001-03	701011-01
420401-05	701311-02
515001-02	701321-08
609006-03	701326-02
630001-07	702001-06
630101-07	704001-03
630301-04	780001-01
631031-06	781001-02
631032-03	

**GENERAL NOTES**

1. THE STANDARDS AND REVISIONS NUMBER SHALL APPLY TO THIS PROJECT.
2. THE CONTRACTOR SHALL VERIFY ALL DIMENSIONS AND CONDITIONS IN THE FIELD PRIOR TO CONSTRUCTION AND ORDERING MATERIALS.
3. ILLINOIS STATE LAW REQUIRES A 48-HOUR NOTICE BE GIVEN TO ALL UTILITIES WITHIN THE PROJECT AREA BEFORE DIGGING BY CALLING J.U.L.I.E. AND BY NOTIFYING NON-J.U.L.I.E. MEMBERS INDIVIDUALLY. AGENCIES KNOWN TO HAVE FACILITIES WITHIN THE PROJECT AREA ARE AS FOLLOWS:
  - AT&T ILLINOIS (COMMUNICATIONS)
  - CHARTER COMMUNICATIONS, INC. (CABLE TV)
  - VILLAGE OF GLEN CARBON (WATER & SANITARY SEWER)
  - AMERENIP (GAS & ELECTRIC)
 (MEMBERS OF J.U.L.I.E. (800) 892-0123 ARE INDICATED BY \*)  
 NON-J.U.L.I.E. MEMBERS MUST BE NOTIFIED INDIVIDUALLY.)
4. A QUANTITY OF 250 FEET OF "TEMPORARY PAVEMENT MARKING - LINE 6" WHITE HAS BEEN INCLUDED IN THE PLANS FOR PAINTING THE BOTTOM 6" OF THE TEMPORARY CONCRETE BARRIER.
5. RIGHT OF WAY MARKERS SHALL BE SET SO THE BACK OF THE POST IS TWELVE (12") INCHES INSIDE THE RIGHT OF WAY BOUNDARY. RIGHT OF WAY PROPERTY CORNERS ARE MARKED BY A 5/8" IRON ROD WITH IDOT ALUMINUM CAP AND SHALL NOT BE REMOVED OR DISTURBED WHEN SETTING THE RIGHT OF WAY MARKER.
6. NO TRENCHES OR OPEN PITS WILL BE PERMITTED ADJACENT TO A TRAFFIC LANE DURING NON-WORKING HOURS. ALL WIDENING TRENCHES SHALL BE BACKFILLED DURING THE SAME WORKING DAY IT WAS EXCAVATED.
7. NEW JERSEY (NJ) SHAPE BARRIER WILL BE ALLOWED ON THIS PROJECT. INSTALLATION SHALL BE AS SHOWN ON THE PLANS.
8. THE TRAFFIC CONTROL MEASURES SHALL SUPPLEMENT AND BE IN ACCORDANCE WITH TRAFFIC CONTROL STANDARD 701321.
9. THE BARRIER UNIT AT EACH END OF THE TRAFFIC CONTROL INSTALLATION SHALL BE SECURED TO THE PAVEMENT OR SHOULDER USING ALL SIX ANCHORING PINS FOR F-SHAPE BARRIER OR ALL SIX DOWEL BARS FOR NEW JERSEY SHAPE BARRIER.
10. THE TEMPORARY CONCRETE BARRIER (STATE OWNED) IS LOCATED AT IL ROUTE 111, NORTH OF I-55/70. THE CONTRACTOR SHALL PICK UP THE BARRIER AND RETURN THE BARRIER TO THE SAME LOCATION UPON COMPLETION OF THE PROJECT. ANY DAMAGED BARRIER WILL NOT HAVE TO BE REPLACED. THE CONTRACTOR SHALL DISPOSE OF DAMAGED CONCRETE BARRIER IN AN APPROVED DUMP SITE. THE CONNECTOR PINS SHALL BE FURNISHED BY THE CONTACTOR AND THE COST SHALL BE INCLUDED WITH THE COST OF "TEMPORAY CONCRETE BARRIER (STATE OWNED)".
11. ANY REFERENCE TO "BITUMINOUS CONCRETE" SHALL BE CONSTRUED TO DENOTE "HOT MIX ASPHALT".
12. EXISTING FLAP GATES SHALL BE SALVAGED BY THE CONTRACTOR AND DELIVERED TO THE WOOD RIVER OPERATIONS YARD AT 200 SOUTH BELLWOOD. PLEASE CONTACT STEVE WHEELER AT (618) 259-1440 PROIR TO DELVERY.

**EROSION AND SEDIMENT CONTROL GENERAL NOTES**

ALL EROSION CONTROL PRODUCTS FURNISHED SHALL BE SPECIFICALLY RECOMMENDED BY THE MANUFACTURER FOR THE USE SPECIFIED IN THE EROSION CONTROL PLAN. PRIOR TO APPROVAL AND USE OF THE PRODUCT, THE CONTRACTOR SHALL SUBMIT TO THE ENGINEER A NOTARIZED CERTIFICATION BY THE PRODUCER STATING THE INTENDED USE OF THE PRODUCT AND THAT THE PHYSICAL PROPERTIES REQUIRED FOR THIS APPLICATION ARE MET OF EXCEEDED. THE CONTRACTOR SHALL PROVIDE MANUFACTURER RECOMMENDED INSTALLATION PRECEDURES TO FACILITATE THE ENGINEER IN CONSTRUCTION INSPECTION.

TEMPORARY SEEDING SHALL BE COMPLETED ON A WEEKLY BASIS ON EXPOSED GROUND AND SHALL BE IN ACCORDANCE WITH SECTION 280 OF THE STANDARD SPECIFICATIONS. TEMPORARY EROSION CONTROL SEEDING SHALL BE APPLIED AT A RATE OF 100 LBS/ACRE AND PAID FOR AS "TEMPORARY EROSION CONTROL SEEDING". FOR CALCULATION PURPOSES, TWO APPLICATIONS OF TEMPORARY SEEDING WAS ASSUMED

EARTH STOCKPILES SHALL BE TEMPORARY SEEDED IF THEY ARE TO REMAIN UNUSED FOR MORE THAN FOURTEEN DAYS.

FINAL SEEDING SHALL BE PERFORMED AS SOON AS POSSIBLE WITH CLASS 2 SEEDING.

**COMMITMENTS**

PLOT DATE = 10/19/2005  
 FILE NAME = \\ed16699\plan\pln16699.dgn  
 PLOT SCALE = 5/8"=1' / IN.  
 REFERENCE = SHEET#

REVISIONS	
NAME	DATE

ILLINOIS DEPARTMENT OF TRANSPORTATION  
**INDEX OF SHEETS, HIGHWAY STANDARDS, GENERAL NOTES & COMMITMENTS**  
 FAU ROUTE 9079  
 SECTION 65BR  
 MADISON COUNTY  
 SN 060-0069 (E) 0236 (P)

F.A.U. RTE.	SECTION	COUNTY	TOTAL SHEETS	SHEET NO.
9079	65BR	MADISON	46	3
STA.	TO STA.			
FED. ROAD DIST. NO.	ILLINOIS	FED. AID PROJECT		

# SUMMARY OF QUANTITIES

SUMMARY OF QUANTITIES			80% FED./20% STATE URBAN TOTAL QUANTITIES	CONSTRUCTION TYPE CODE		
CODE NO	ITEM	UNIT		X020-2A	SFTY-3N	
20100500	TREE REMOVAL, ACRES	ACRE	0.25	0.25		
20200100	EARTH EXCAVATION	CU YD	1320	1320		
20400800	FURNISHED EXCAVATION	CU YD	340	340		
20700400	POROUS GRANULAR EMBANKMENT, SPECIAL	CU YD	78	78		
25000200	SEEDING, CLASS 2	ACRE	0.94	0.94		
25000400	NITROGEN FERTILIZER NUTRIENT	POUND	90	90		
25000500	PHOSPHORUS FERTILIZER NUTRIENT	POUND	90	90		
25000600	POTASSIUM FERTILIZER NUTRIENT	POUND	90	90		
25100115	MULCH, METHOD 2	ACRE	1	1		
28000250	TEMPORARY EROSION CONTROL SEEDING	POUND	188	188		
28000400	PERIMETER EROSION BARRIER	FOOT	1170	1170		
28000500	INLET AND PIPE PROTECTION	EACH	8	8		
28100107	STONE RIPRAP, CLASS A4	SQ YD	437	437		
28200200	FILTER FABRIC	SQ YD	437	437		
35501320	HOT-MIX ASPHALT BASE COURSE 9"	SQ YD	703	703		
42001165	BRIDGE APPROACH PAVEMENT	SQ YD	294	294		
42001430	BRIDGE APPROACH PAVEMENT CONNECTOR (FLEXIBLE)	SQ YD	59	59		
44000100	PAVEMENT REMOVAL	SQ YD	225	225		
44004250	PAVED SHOULDER REMOVAL	SQ YD	108	108		
48101500	AGGREGATE SHOULDERS, TYPE B 6"	SQ YD	175	175		
50100100	REMOVAL OF EXISTING STRUCTURES	EACH	1	1		
50105220	PIPE CULVERT REMOVAL	FOOT	237	237		
50200100	STRUCTURE EXCAVATION	CU YD	184	184		
50300100	FLOOR DRAINS	EACH	6	6		
50300225	CONCRETE STRUCTURES	CU YD	100	100		
50300255	CONCRETE SUPERSTRUCTURE	CU YD	169.8	169.8		
50300260	BRIDGE DECK GROOVING	SQ YD	308	308		
50300300	PROTECTIVE COAT	SQ YD	378	378		
50800205	REINFORCEMENT BARS, EPOXY COATED	POUND	40690	40690		
50800515	BAR SPLICERS	EACH	186	186		
50901125	STEEL RAILING (TEMPORARY)	FOOT	38	38		
51201005	FURNISHING METAL SHELL PILES 12"	FOOT	1134	1134		
51202305	DRIVING PILES	FOOT	1134	1134		
51203200	TEST PILE METAL SHELLS	EACH	2	2		
51205200	TEMPORARY SHEET PILING	SQ FT	827	827		
51500100	NAME PLATES	EACH	1	1		

SUMMARY OF QUANTITIES			80% FED./20% STATE URBAN TOTAL QUANTITIES	CONSTRUCTION TYPE CODE		
CODE NO	ITEM	UNIT		X020-2A	SFTY-3N	
54215547	METAL END SECTIONS 12"	EACH	2	2		
542C1063	PIPE CULVERTS, CLASS C, TYPE 2 18"	FOOT	411	411		
59100100	GEOCOMPOSITE WALL DRAIN	SQ YD	48	48		
60100945	PIPE DRAINS 12"	FOOT	25	25		
60109580	PIPE UNDERDRAINS FOR STRUCTURES 4"	FOOT	148	148		
60802018	AUTOMATIC FLAP GATE 18"	EACH	5	5		
60900330	TYPE D INLET BOX, STANDARD 609001	EACH	2	2		
60900515	CONCRETE THRUST BLOCKS	EACH	2	2		
* 63100085	TRAFFIC BARRIER TERMINAL, TYPE 6	EACH	4	4		
* 63100087	TRAFFIC BARRIER TERMINAL, TYPE 6A	EACH	2	2		
* 63100167	TRAFFIC BARRIER TERMINAL TYPE 1, SPECIAL (TANGENT)	EACH	4	4		
63301990	REMOVE AND RE-ERECT TRAFFIC BARRIER TERMINAL, TYPE 1	EACH	2	2		
66600105	FURNISHING AND ERECTING RIGHT-OF-WAY MARKERS	EACH	8	8		
67000400	ENGINEER'S FIELD OFFICE, TYPE A	CAL MO	11	11		
67100100	MOBILIZATION	L SUM	1	1		
70100500	TRAFFIC CONTROL AND PROTECTION, STANDARD 701326	L SUM	1	1		
70101205	TRAFFIC CONTROL AND PROTECTION, STANDARD 701321 (SPECIAL)	EACH	1	1		
70106600	TEMPORARY BRIDGE TRAFFIC SIGNALS (STATE FURNISHED CONTROLLER)	EACH	1	1		
70106700	TEMPORARY RUMBLE STRIP	EACH	6	6		
70300220	TEMPORARY PAVEMENT MARKING - LINE 4"	FOOT	1280	1280		
70300240	TEMPORARY PAVEMENT MARKING - LINE 6"	FOOT	250	250		
70301000	WORK ZONE PAVEMENT MARKING REMOVAL	SQ FT	427	427		
70400500	TEMPORARY CONCRETE BARRIER (STATE OWNED)	FOOT	250	250		
70400600	RELOCATE TEMPORARY CONCRETE BARRIER (STATE OWNED)	FOOT	250	250		
78000200	THERMOPLASTIC PAVEMENT MARKING - LINE 4"	FOOT	996	996		
78008210	POLYUREA PAVEMENT MARKING TYPE I - LINE 4"	FOOT	284	284		
78100105	RAISED REFLECTIVE PAVEMENT MARKER (BRIDGE)	EACH	2	2		
* 78100300	REPLACEMENT REFLECTOR	EACH	5	5		
78200410	GUARDRAIL MARKERS, TYPE A	EACH	4	4		
78200520	BARRIER WALL MARKERS, TYPE B	EACH	4	4		
78200530	BARRIER WALL MARKERS, TYPE C	EACH	4	4		

PLOT DATE = 10/19/2006  
 PLOT SCALE = 1/4" = 100' / IN.  
 REFERENCE = #REF#

\*SPECIALTY ITEMS

# SUMMARY OF QUANTITIES

F.A.U. RTE.	SECTION	COUNTY	TOTAL SHEETS	SHEET NO.
9079	65BR	MADISON	46	4
STA.		TO STA.		
FED. ROAD DIST. NO.		ILLINOIS	FED. AID PROJECT	

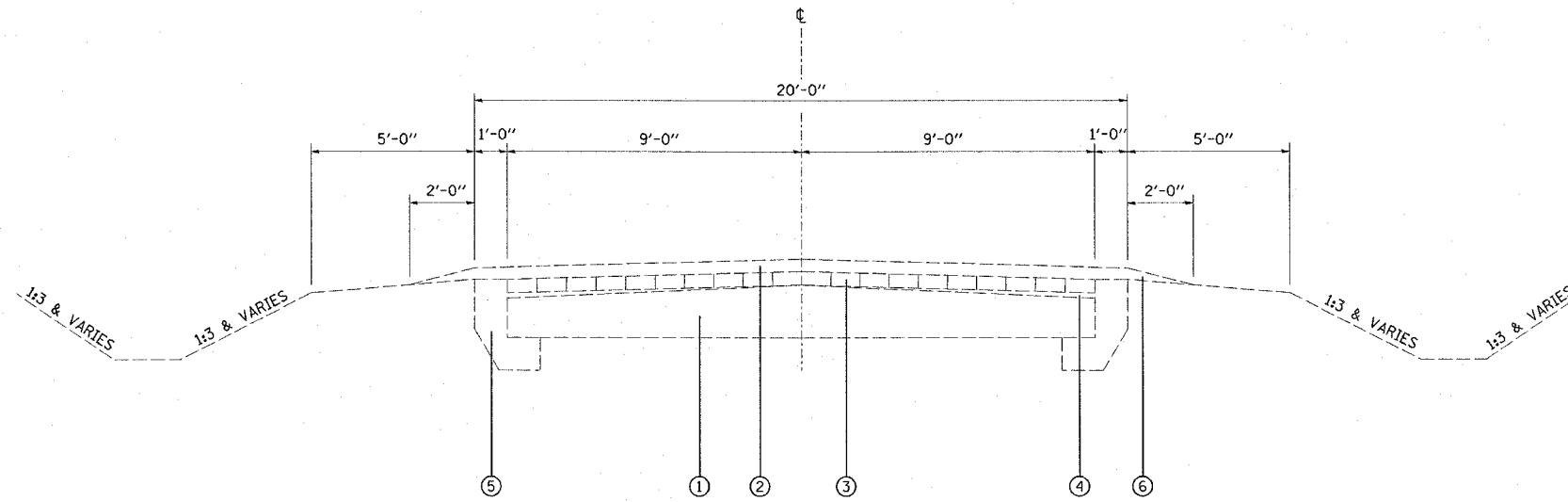
SUMMARY OF QUANTITIES			CONSTRUCTION TYPE CODE		
CODE NO	ITEM	UNIT	URBAN TOTAL QUANTITIES	X020-2A	SFTY-3N
* 78201000	TERMINAL MARKER - DIRECT APPLIED	EACH	4	4	
78300100	PAVEMENT MARKING REMOVAL	SQ FT	427	427	
78300200	RAISED REFLECTIVE PAVEMENT MARKER REMOVAL	EACH	5	5	
X5020501	UNDERWATER STRUCTURE EXCAVATION PROTECTION - LOCATION 1	EACH	1	1	
X5020502	UNDERWATER STRUCTURE EXCAVATION PROTECTION - LOCATION 2	EACH	1	1	
Z0030250	IMPACT ATTENUATORS, TEMPORARY (NON-REDIRECTIVE), TEST LEVEL 3	EACH	2		2
Z0030350	IMPACT ATTENUATORS, RELOCATE (NON-REDIRECTIVE), TEST LEVEL 3	EACH	2		2
© Z0070000	TRAINEES	HOUR	500	500	

SUMMARY OF QUANTITIES			CONSTRUCTION TYPE CODE		
CODE NO	ITEM	UNIT	TOTAL QUANTITIES	X020-2A	SFTY-3N

PLOT DATE = 10/19/2005  
 FILE NAME = c:\pcc\projects\6516699\plan\plan16699a.dgn  
 PLOT SCALE = 49.9999 / IN.  
 REFERENCE = #REF#

© Y080  
 \* SPECIALTY ITEMS

F.A.U. RTE.	SECTION	COUNTY	TOTAL SHEETS	SHEET NO.
9079	65BR	MADISON	46	5
STA.		TO STA.		
FED. ROAD DIST. NO.		ILLINOIS FED. AID PROJECT		

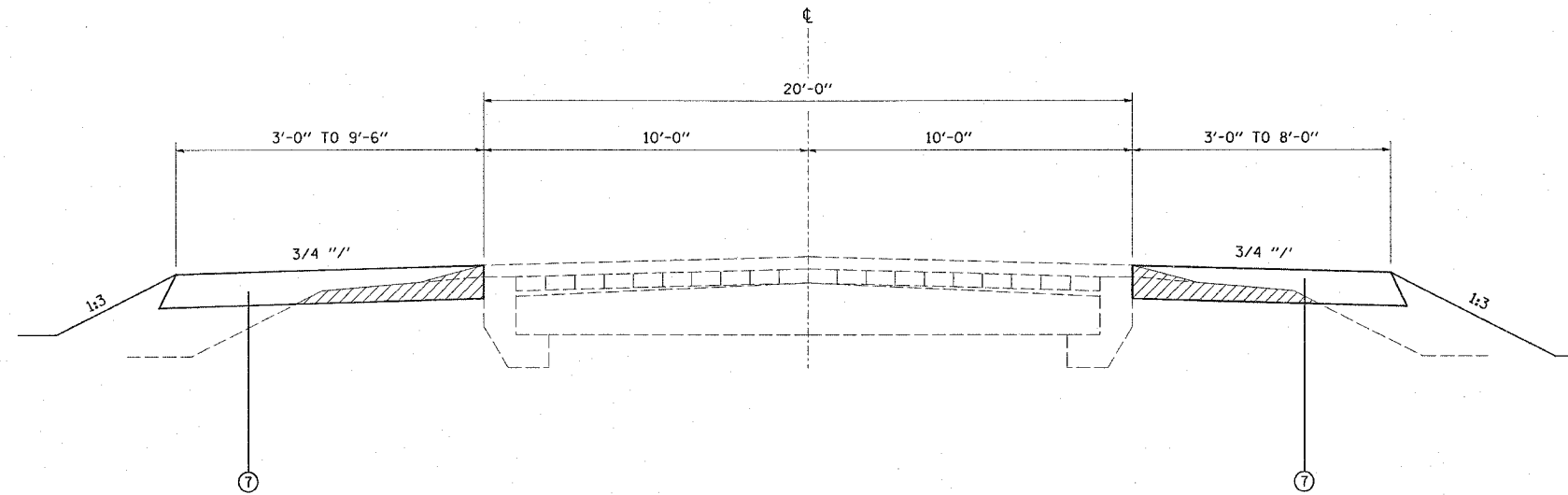


**EXISTING TYPICAL SECTION**

STA 386+00 TO STA 386+55  
STA 390+35 TO STA 390+75

**LEGEND**

- ① EXISTING PAVEMENT
- ② EXISTING BITUMINOUS SURFACE COURSE & LEVELING BINDER
- ③ EXISTING BRICK - 2 1/2"
- ④ EXISTING BITUMINOUS MASTIC CUSHION - 3/4" TO 1 1/2"
- ⑤ EXISTING CONCRETE WIDENING
- ⑥ EXISTING GRAVEL OR CRUSHED STONE SHOULDER
- ⑦ PROPOSED HOT-MIX ASPHALT BASE COURSE, 9"
- ⑧ PROPOSED AGGREGATE SHOULDER - 6"



**PROPOSED TYPICAL SECTION**

STA 386+00 TO STA 386+55  
STA 390+35 TO STA 390+75

MIXTURE USE	BINDER
AC/PG	PG 64-22
RAP % (MAX)	15%
DESIGN AIR VOIDS	4.0% @ Ndes=70
MIX COMPOSITION (GRADATION MIXTURE)	
FRICTION AGG	MIXTURE "B"

NOTE: BINDER SPECIFICATIONS LISTED IN CHART ABOVE SHALL APPLY TO "HOT-MIX ASPHALT BASE COURSE, 9 INCH" AS SHOWN IN THE TYPICAL SECTIONS.

PLOT DATE = 10/19/2006  
PLOT SCALE = 5/8" = 1'-0"  
REFERENCE = REF#

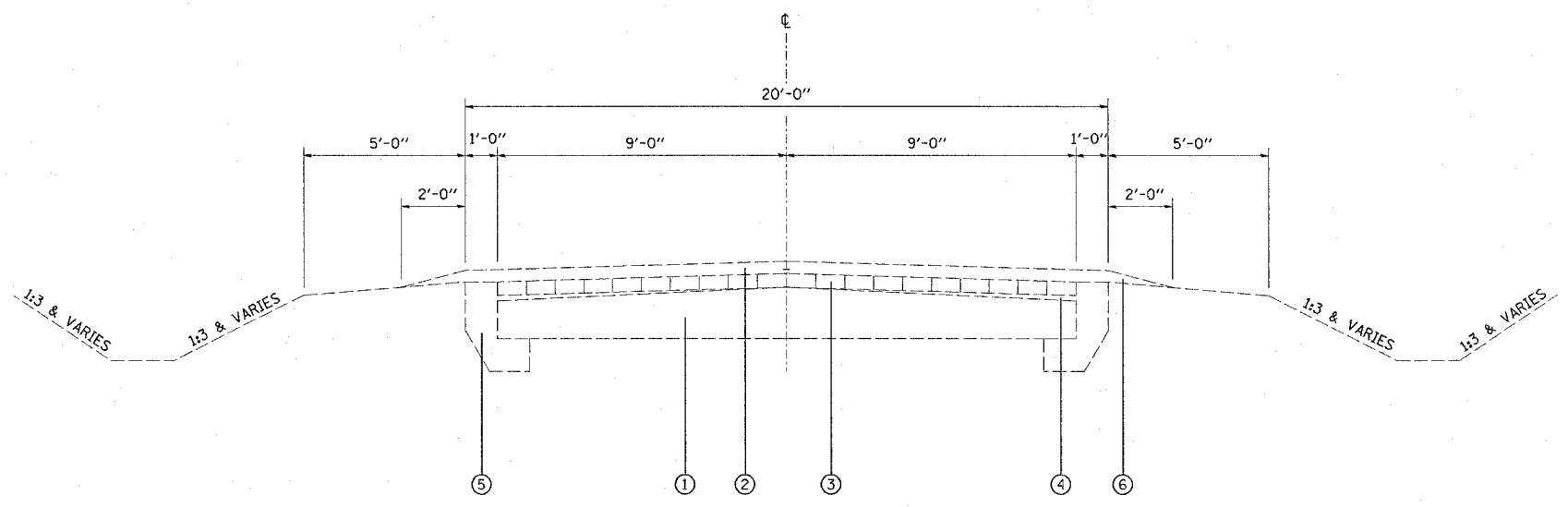
REVISIONS	
NAME	DATE

ILLINOIS DEPARTMENT OF TRANSPORTATION

**TYPICAL SECTIONS**

FAP ROUTE 9079  
SECTION 65BR  
MADISON COUNTY  
SN 060-0069 (E) 0236 (P)

F.A.U. RTE.	SECTION	COUNTY	TOTAL SHEETS	SHEET NO.
9079	65BR	MADISON	46	6
STA.		TO STA.		
FED. ROAD DIST. NO.		ILLINOIS FED. AID PROJECT		

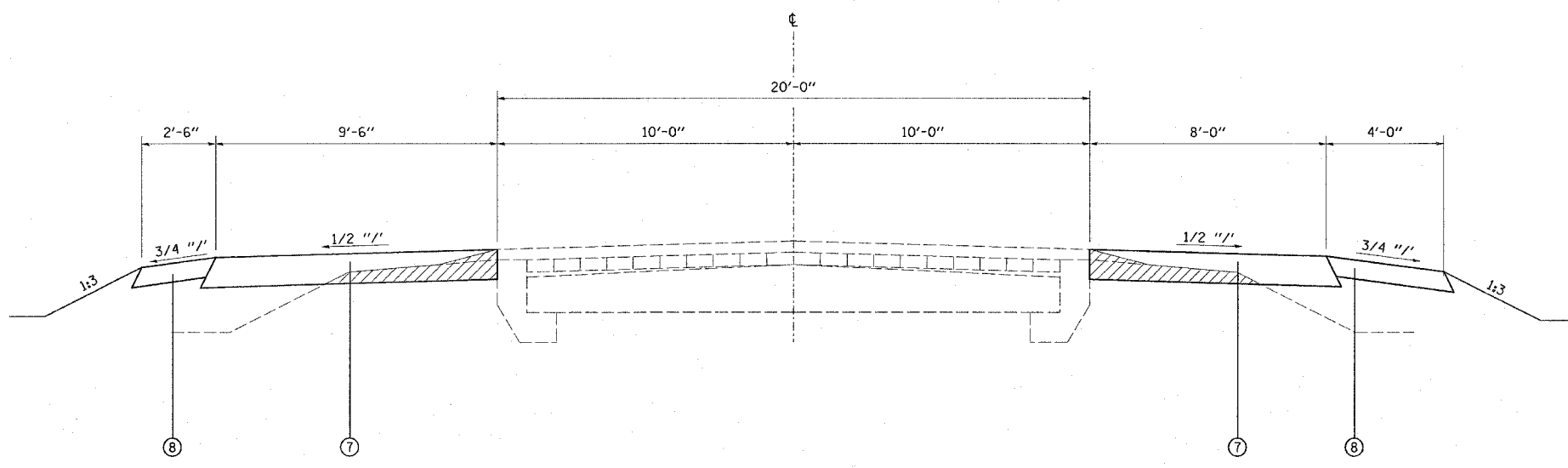


**EXISTING TYPICAL SECTION**

STA 386+55 TO STA 387+75  
 STA 389+13 TO STA 390+35

**LEGEND**

- ① EXISTING PAVEMENT
- ② EXISTING BITUMINOUS SURFACE COURSE & LEVELING BINDER
- ③ EXISTING BRICK - 2 1/2"
- ④ EXISTING BITUMINOUS MASTIC CUSHION - 3/4" TO 1 1/2"
- ⑤ EXISTING CONCRETE WIDENING
- ⑥ EXISTING GRAVEL OR CRUSHED STONE SHOULDER
- ⑦ PROPOSED HOT-MIX ASPHALT BASE COURSE, 9"
- ⑧ PROPOSED AGGREGATE SHOULDER - 6"



**PROPOSED TYPICAL SECTION**

STA 386+55 TO STA 387+75  
 STA 389+13 TO STA 390+35

MIXTURE USE	BINDER
AC/PG	PG 64-22
RAP % (MAX)	15%
DESIGN AIR Voids	4.0% @ Ndes=70
MIX COMPOSITION (GRADIATION MIXTURE)	
FRICITION AGG	MIXTURE "B"

NOTE: BINDER SPECIFICATIONS LISTED IN CHART ABOVE SHALL APPLY TO "HOT-MIX ASPHALT BASE COURSE, 9 INCH" AS SHOWN IN THE TYPICAL SECTIONS.

REVISIONS	
NAME	DATE

ILLINOIS DEPARTMENT OF TRANSPORTATION  
**TYPICAL SECTIONS**  
 FAP ROUTE 9079  
 SECTION 65BR  
 MADISON COUNTY  
 SN 060-0069 (E) 0236 (P)

PLOT DATE = 10/19/2006  
 FILE NAME = c:\projects\adl6699\plan\plan\16699a.dgn  
 PLOT SCALE = 5/8"=1'-0"  
 REFERENCE = #REF#

F.A.U. RTE.	SECTION	COUNTY	TOTAL SHEETS	SHEET NO.
9079	65BR	MADISON	46	7
STA.		TO STA.		
FED. ROAD DIST. NO.		ILLINOIS	FED. AID PROJECT	

WIDENING SCHEDULE

LOCATION	LT OR RT	HOT-MIX ASPHALT BASE COURSE	AGGREGATE SHOULDERS, TYPE B 6"
STATION TO STATION		SQ YD	SQ YD
STA 386+00.00 TO STA 386+55.00	LT	38.3	
STA 386+00.00 TO STA 386+53.50	RT	32.7	
STA 386+53.50 TO STA 387+74.96	RT	108.1	53.3
STA 386+55.00 TO STA 388+22.31	LT	176.7	34.4
BRIDGE OMISSION			
STA 388+58.81 TO STA 390+34.86	LT	185.9	33.1
STA 389+12.96 TO STA 390+36.49	RT	109.9	54.2
STA 390+34.86 TO STA 390+75.00	LT	27.9	
STA 390+36.49 TO STA 390+75.00	RT	23.5	
TOTAL		703	175

GUARDRAIL SCHEDULE

LOCATION	TRAFFIC BARRIER TERMINAL, TYPE 6	TRAFFIC BARRIER TERMINAL, TYPE 6A	TRAFFIC BARRIER TERMINAL, TYPE 1 SPECIAL (TANGENT)	REMOVE AND RE-ERECT TRAFFIC BARRIER TERMINAL, TYPE 1	TERMINAL MARKERS - DIRECT APPLIED	BARRIER WALL MARKERS, TYPE B	BARRIER WALL MARKERS, TYPE C	GUARDRAIL MARKERS, TYPE A
	EACH	EACH	EACH	EACH	EACH	EACH	EACH	EACH
NW QUADRANT	1	1	1	1	1			1
NE QUADRANT	1	1	1	1	1			1
SW QUADRANT	1		1		1			1
SE QUADRANT	1		1		1			1
EASTBOUND						2	2	
WESTBOUND						2	2	
TOTAL	4	2	4	2	4	4	4	4

2 EACH TBT, TY 1 SPC (TANG) WILL BE PLACED PRIOR TO STAGE I CONSTRUCTION AS SHOWN ON THE PLANS.  
2 EACH TBT, TY 6A WILL BE PLACED PRIOR TO STAGE I CONSTRUCTION AS SHOWN ON THE PLANS.

EROSION CONTROL SCHEDULE

LOCATION	PERIMETER EROSION BARRIER	INLET AND PIPE PROTECTION
	FOOT	EACH
NORTHWEST	219	2
NORTHEAST	300	2
SOUTHWEST	280	3
SOUTHEAST	370	1
TOTAL	1170	8

REMOVAL ITEMS SCHEDULE

LOCATION	LT OR RT	PAVED SHOULDER REMOVAL	PAVEMENT REMOVAL
STATION TO STATION		SQ YD	SQ YD
STA 386+55.00 TO STA 388+22.31	LT	51.0	
STA 387+74.96 TO STA 388+22.31			105.0
BRIDGE OMISSION			
STA 388+58.81 TO STA 389+12.96			120.0
STA 388+58.81 TO STA 390+34.86	LT	57.2	
TOTAL		108	225

STAGING SCHEDULE

LOCATION	TEMPORARY CONCRETE BARRIER	RELOCATE TEMPORARY CONCRETE BARRIER	TEMPORARY PAVEMENT MARKING LINE 6"	STEEL RAILING (TEMPORARY)	IMPACT ATTENUATOR, TEMPORARY (NON-REDIRECTIVE)	IMPACT ATTENUATOR, RELOCATE (NON-REDIRECTIVE)
	FOOT	FOOT	FOOT	FOOT	EACH	EACH
STAGE I	250		250	38	2	
STAGE II		250				2
TOTAL	250	250	250	38	2	2

PAVEMENT MARKING SCHEDULE

LOCATION	TEMPORARY PAVEMENT MARKING LINE - 4"	WORK ZONE PAVEMENT MARKING REMOVAL	THERMOPLASTIC PAVEMENT MARKING - 4"		POLYUREA PAVEMENT MARKING TYPE I-LINE 4"		PAVEMENT MARKING REMOVAL		RAISED REFLECTIVE PAVEMENT MARKER REMOVAL	RAISED REFLECTIVE PAVEMENT MARKER (BRIDGE)	REPLACEMENT REFLECTOR
			SKIP-DASH YELLOW	EDGE LINE WHITE	SKIP-DASH YELLOW	EDGE LINE WHITE	SKIP-DASH YELLOW	SOLID EDGE LINE WHITE			
			FOOT	FOOT	FOOT	FOOT	SQ FT	SQ FT			
STA 385+34.77 TO STA. 386+00.00	146.8	48.9	16.3	130.5			5.6	43.5	1		1
STA 386+00.00 TO STA. 387+80.96	407.1	135.8	45.2	361.9			15.2	120.7	2		2
STA 387+80.96 TO STA. 389+06.96	284.0	94.7			31.6	252.4	10.6	84.0		2	
STA 389+06.96 TO STA. 390+75.00	378.1	126.1	42.0	336.1			14.2	112.1	2		2
STA 390+75.00 TO STA. 391+02.99	63.0	21.0	7.0	56.0			2.4	18.7			
SUBTOTAL			110.5	884.5	31.6	252.4	48.0	379.0			
TOTAL	1279	426.5		995		284		427	5	2	5

REPLACEMENT REFLECTORS (REMOVED DURING STAGE CONSTRUCTION) ARE FROM STOP BAR TO STOP BAR.

RIGHT-OF-WAY MARKERS SCHEDULE

LOCATION	LT OR RT	OFFSET DISTANCE	FURNISHING AND ERECTING RIGHT-OF-WAY MARKERS
STATION		FOOT	EACH
STA. 385+50	LT	40	1
STA. 385+50	RT	25	1
STA. 386+50	LT	107	1
STA. 387+50	RT	118	1
STA. 389+50	LT	107	1
STA. 389+75	RT	118	1
STA. 390+50	LT	77.61	1
STA. 390+50	RT	63.06	1
TOTAL			8

REVISIONS	
NAME	DATE

ILLINOIS DEPARTMENT OF TRANSPORTATION

SCHEDULES

FAU ROUTE 9079  
SECTION 65BR  
MADISON COUNTY  
SN 060-0069 (E) 0236 (P)

F.A.U. RTE.	SECTION	COUNTY	TOTAL SHEETS	SHEET NO.
9079	65BR	MADISON	46	8
STA.		TO STA.		
FED. ROAD DIST. NO.		ILLINOIS	FED. AID PROJECT	

EARTHWORK SCHEDULE

LOCATION	EARTH EXCAVATION	EARTH EXCAVATION ADJUSED FOR 25% SHRINKAGE	EMBANKMENT	EARTHWORK BALANCE WASTE (+) OR SHORTAGE (-)
	CU YD	CU YD	CU YD	CU YD
MAINLINE	454.0	340.7	576.2	-237.2
NORTHWEST	186.5	139.9	132.4	+7.6
NORTHEAST	112.1	84.2	397.7	-315.7
SOUTHWEST	286.4	215.1	192.2	+23.1
SOUTHEAST	281.0	210.8	29.8	+182.2
TOTAL	1320	990.7	1328.3	-340.0

MAINLINE

LOCATION STATION TO STATION	EARTH EXCAVATION	EARTH EXCAVATION ADJUSED FOR 25% SHRINKAGE	EMBANKMENT	EARTHWORK BALANCE WASTE (+) OR SHORTAGE (-)
	CU YD	CU YD	CU YD	CU YD
386+00 TO 386+50	63.5	47.6	26.4	+21.2
386+50 TO 386+75	39.3	29.5	57.0	-27.5
386+75 TO 387+00	27.8	20.9	70.2	-49.7
387+00 TO 387+50	83.0	62.3	110.1	-48.2
387+50 TO 388+00	118.3	88.7	72.7	+16.0
BRIDGE OMISSION				
389+00 TO 389+50	72.5	54.4	52.5	+1.9
389+50 TO 390+00	23.1	17.3	94.5	-77.6
390+00 TO 390+15	4.5	3.4	28.9	-25.7
390+15 TO 390+50	12.2	9.2	47.2	-38.3
390+50 TO 391+00	9.8	7.4	16.7	-9.3
TOTAL	454.0	340.7	576.2	-237.2

PIPE CULVERT SCHEDULE

LOCATION	LT	RT	OFFSET	PIPE CULVERT REMOVAL	PIPE CULVERT, CLASS C, TYPE 2 18"	AUTIMATIC FLAP GATE 18"
STATION			FOOT	FOOT	FOOT	EACH
STA. 386+75	RT		35.8		56.5	
STA. 386+77	LT		37.5		52	1
STA. 387+76	LT		41.9		54.5	
STA. 387+89	LT		28.9	40		
STA. 387+93	RT		29.2	60		
STA. 387+99	RT		41.0		54.5	1
STA. 388+09	RT		81.0		58.5	1
STA. 388+13	RT		59.8	30		
STA. 388+78	LT		35.7		50.5	1
STA. 388+83	RT		21.9	47		
STA. 388+89	LT		19.7	60		
STA. 390+14	LT		32.1		42.5	
STA. 390+14	RT		30.0		42	1
TOTAL				237	411	5

LOCATIONS ARE FROM THE CENTER OF THE PIPE CULVERTS.

NORTHWEST ACCESS RD

LOCATION STATION TO STATION	EARTH EXCAVATION	EARTH EXCAVATION ADJUSED FOR 25% SHRINKAGE	EMBANKMENT	EARTHWORK BALANCE WASTE (+) OR SHORTAGE (-)
	CU YD	CU YD	CU YD	CU YD
0+30 TO 0+40	5.5	4.1	9.3	-5.2
0+40 TO 0+50	10.0	7.5	16.0	-8.5
0+50 TO 0+60	8.1	6.1	13.0	-6.9
0+60 TO 0+70	6.5	4.9	14.1	-9.2
0+70 TO 0+80	6.5	4.9	18.0	-13.1
0+80 TO 0+90	8.8	6.6	23.4	-16.8
0+90 TO 1+00	29.5	22.1	20.3	+1.8
1+00 TO 1+10	45.2	33.9	11.2	+22.8
1+10 TO 1+20	32.8	24.6	4.7	+19.9
1+20 TO 1+30	18.3	13.7	0.6	+13.1
1+30 TO 1+40	10.4	7.8	0.4	+7.4
1+40 TO 1+50	4.9	3.7	1.3	+2.4
TOTAL	186.5	139.9	132.4	+7.6

NORTHEAST ACCESS RD

LOCATION STATION TO STATION	EARTH EXCAVATION	EARTH EXCAVATION ADJUSED FOR 25% SHRINKAGE	EMBANKMENT	EARTHWORK BALANCE WASTE (+) OR SHORTAGE (-)
	CU YD	CU YD	CU YD	CU YD
0+30 TO 0+40	2.0	1.5	17.3	-15.9
0+40 TO 0+50	4.4	3.3	31.1	-28.0
0+50 TO 0+60	5.1	3.8	24.9	-21.2
0+60 TO 0+70	5.4	4.1	20.4	-16.4
0+70 TO 0+80	5.4	4.1	17.9	-13.9
0+80 TO 0+90	5.3	4.0	17.7	-13.8
0+90 TO 1+00	5.1	3.8	19.8	-16.1
1+00 TO 1+10	4.8	3.6	24.0	-20.5
1+10 TO 1+20	4.5	3.4	30.9	-27.7
1+20 TO 1+30	4.6	3.5	38.6	-35.4
1+30 TO 1+40	5.1	3.8	45.0	-41.5
1+40 TO 1+50	6.4	4.8	48.5	-44.0
1+50 TO 1+60	11.8	8.9	35.0	-26.3
1+60 TO 1+70	14.7	11.0	14.4	-3.4
1+70 TO 1+80	10.7	8.0	5.4	+2.64
1+80 TO 1+90	8.5	6.4	2.7	+3.69
1+90 TO 2+00	8.3	6.2	4.2	+2.01
TOTAL	112.1	84.2	397.7	-315.7

SOUTHWEST ACCESS RD

LOCATION STATION TO STATION	EARTH EXCAVATION	EARTH EXCAVATION ADJUSED FOR 25% SHRINKAGE	EMBANKMENT	EARTHWORK BALANCE WASTE (+) OR SHORTAGE (-)
	CU YD	CU YD	CU YD	CU YD
0+30 TO 0+40	8.0	6.0	2.2	+3.8
0+40 TO 0+50	17.4	13.1	3.0	+10.1
0+50 TO 0+60	18.7	14.0	2.4	+11.6
0+60 TO 0+70	20.0	15.0	4.6	+10.4
0+70 TO 0+80	22.4	16.8	5.8	+11.0
0+80 TO 0+90	24.0	18.0	4.9	+13.1
0+90 TO 1+00	25.0	18.8	4.1	+14.8
1+00 TO 1+10	25.2	18.9	4.3	+14.7
1+10 TO 1+20	24.6	18.5	5.7	+12.8
1+20 TO 1+30	22.8	17.1	9.1	+8.0
1+30 TO 1+40	19.8	14.9	14.6	+0.3
1+40 TO 1+50	16.5	12.4	22.8	-10.4
1+50 TO 1+60	11.4	8.6	35.8	-27.2
1+60 TO 1+70	10.0	7.5	42.3	-34.8
1+70 TO 1+80	7.9	5.9	23.8	-17.9
1+80 TO 1+90	5.0	3.8	4.3	-0.5
1+90 TO 2+00	7.7	5.8	2.4	+3.4
TOTAL	286.4	215.1	192.2	+23.1

SOUTHEAST ACCESS RD

LOCATION STATION TO STATION	EARTH EXCAVATION	EARTH EXCAVATION ADJUSED FOR 25% SHRINKAGE	EMBANKMENT	EARTHWORK BALANCE WASTE (+) OR SHORTAGE (-)
	CU YD	CU YD	CU YD	CU YD
0+30 TO 0+40	6.8	5.1	3.7	+1.4
0+40 TO 0+50	14.7	11.0	6.6	+4.4
0+50 TO 0+60	16.2	12.2	5.0	+7.2
0+60 TO 0+70	17.2	12.9	3.6	+9.4
0+70 TO 0+80	17.8	13.4	3.6	+9.9
0+80 TO 0+90	18.8	14.1	2.8	+11.4
0+90 TO 1+00	20.4	15.3	1.5	+13.9
1+00 TO 1+10	25.5	19.1	1.2	+18.0
1+10 TO 1+20	41.0	30.8	0.9	+30.1
1+20 TO 1+30	63.2	47.4	0.5	+47.2
1+30 TO 1+40	37.9	28.4	0.2	+28.4
1+40 TO 1+50	1.5	1.1	0.3	+0.8
TOTAL	281.0	210.8	29.8	+182.2

REVISIONS	
NAME	DATE

ILLINOIS DEPARTMENT OF TRANSPORTATION

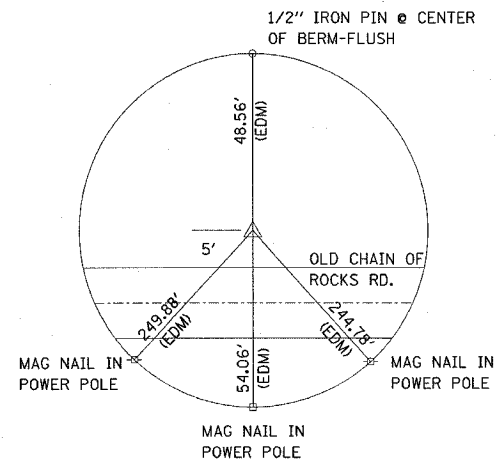
SCHEDULES

FAU ROUTE 9079  
SECTION 65BR  
MADISON COUNTY  
SN 060-0069 (E) 0236 (P)



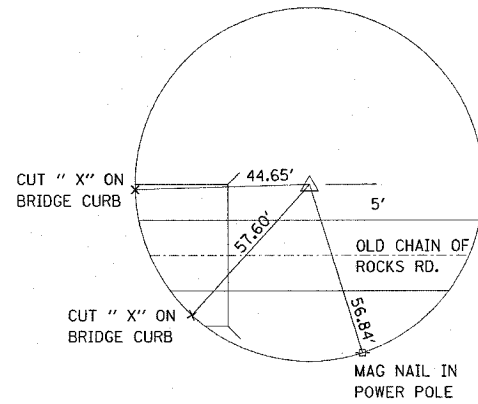
F.A.U. RTE.	SECTION	COUNTY	TOTAL SHEETS	SHEET NO.
9079	65BR	MADISON	46	9
STA.		TO STA.		
FED. ROAD DIST. NO.		ILLINOIS	FED. AID PROJECT	

NOTE: ALL MEASUREMENTS ARE PULLED DIRECT



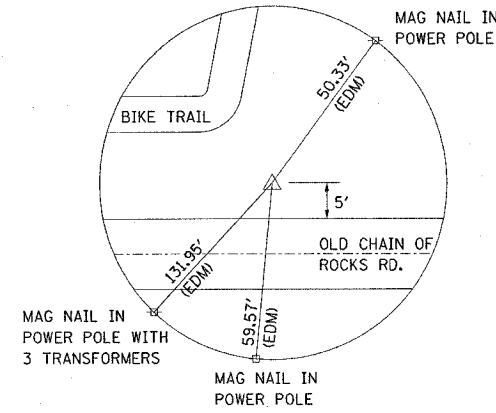
TIE POINT #1

IRON PIN WITH IDOT CAP (FLUSH)  
1379.5'± (EDM) WEST OF CENTER OF  
OLD CHAIN OF ROCKS RD BRIDGE  
OVER MADISON COUNTY DITCH



TIE POINT #2

IRON PIN WITH IDOT CAP (FLUSH)



TIE POINT #3

IRON PIN WITH IDOT CAP (FLUSH)

**BENCHMARK**

BM 1- CUT "□" ON WINGWALL @ SE CORNER OF BRIDGE  
ELEV = 421.960

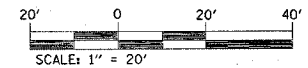
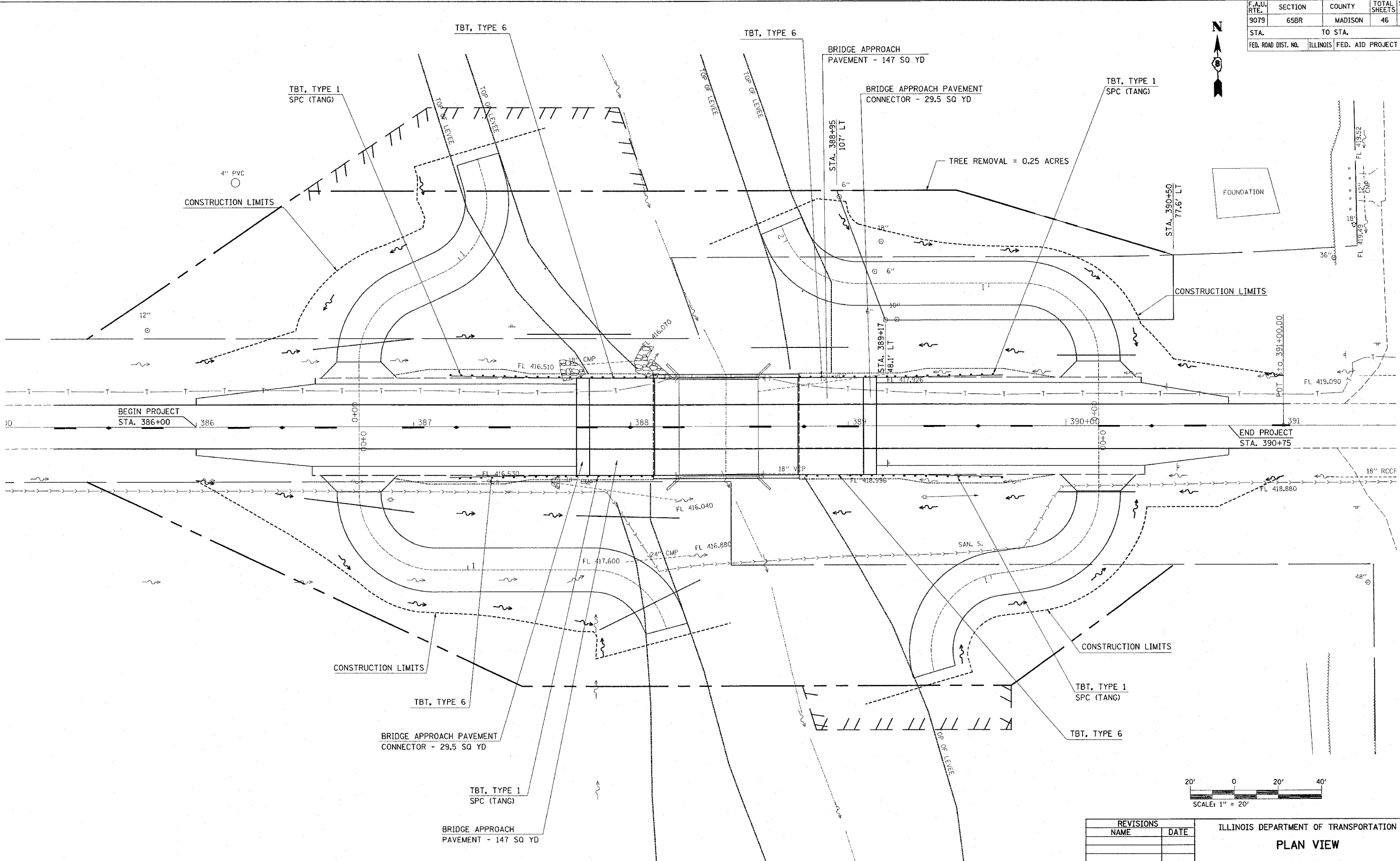
PLOT DATE = 10/19/2006  
FILE NAME = c:\arc\projects\ed6699\plan\p10168196.dgn  
PLOT SCALE = 5/8"=1'-0" / IN.  
REFERENCE = #REF#

REVISIONS	
NAME	DATE

ILLINOIS DEPARTMENT OF TRANSPORTATION  
**TIE POINTS & BENCHMARKS**

FAU ROUTE 9079  
SECTION 65BR  
MADISON COUNTY  
SN 060-0069 (E) 0236 (P)

F.A.U. RTE.	SECTION	COUNTY	TOTAL SHEETS	SHEET NO.
9079	65BR	MADISON	46	10
STA. TO STA.		FED. ROAD DIST. NO. ILLINOIS FED. AID PROJECT		



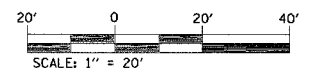
REVISIONS	
NAME	DATE

ILLINOIS DEPARTMENT OF TRANSPORTATION  
**PLAN VIEW**  
 FAU ROUTE 9079  
 SECTION 65BR  
 MADISON COUNTY  
 SN 060-0069 (E) 0236 (P)

NOTES: PIPE LENGTHS ARE SHOWN ON THE PIPE CULVERT SCHEDULE ON SHEET 8 OF 46.  
 THE CENTER OF THE PROPOSED DITCH SHALL BE THE MATCHLINE FOR THE MAINLINE AND ACCESS ROAD CROSS SECTIONS.

PLOT DATE = 10/19/2006  
 FILE NAME = S:\projects\wis5899\plan\p10659.dgn  
 PLOT SCALE = 1/8" = 20'  
 REFERENCE = REF#

F.A.U. RTE.	SECTION	COUNTY	TOTAL SHEETS	SHEET NO.
9079	65BR	MADISON	46	10A
STA.		TO STA.		
FED. ROAD DIST. NO.		ILLINOIS FED. AID PROJECT		



REVISIONS	
NAME	DATE

ILLINOIS DEPARTMENT OF TRANSPORTATION  
**PLAN VIEW**  
**ACCESS ROAD LAYOUTS**  
 FAU ROUTE 9079  
 SECTION 65BR  
 MADISON COUNTY  
 SN 060-0069 (E) 0236 (P)

PROP. CURVE NW-2  
 PI STA. = 1+20.35  
 $\Delta = 81^\circ 51' 04''$  (LT)  
 $D = 163^\circ 42' 08''$   
 $R = 35.00'$   
 $T = 30.35'$   
 $L = 50.00'$   
 $E = 11.32'$   
 $e = \text{---}$   
 $T.R. = \text{---}$   
 $S.E. RUN = \text{---}$   
 $P.C. STA = 0+90.00$   
 $P.T. STA = 1+40.00$

PROP. CURVE NW-1  
 PI STA. = 0+52.50  
 $\Delta = 65^\circ 28' 51''$  (RT)  
 $D = 163^\circ 42' 08''$   
 $R = 35.00'$   
 $T = 22.50'$   
 $L = 40.00'$   
 $E = 6.61'$   
 $e = \text{---}$   
 $T.R. = \text{---}$   
 $S.E. RUN = \text{---}$   
 $P.C. STA = 0+30.00$   
 $P.T. STA = 0+70.00$

PROP. CURVE NE-2  
 PI STA. = 1+84.28  
 $\Delta = 67^\circ 34' 29''$  (RT)  
 $D = 163^\circ 42' 08''$   
 $R = 35.00'$   
 $T = 23.42'$   
 $L = 41.28'$   
 $E = 7.11'$   
 $e = \text{---}$   
 $T.R. = \text{---}$   
 $S.E. RUN = \text{---}$   
 $P.C. STA = 1+60.86$   
 $P.T. STA = 2+02.14$

PROP. CURVE NE-1  
 PI STA. = 0+64.89  
 $\Delta = 90^\circ 02' 10''$  (LT)  
 $D = 163^\circ 42' 08''$   
 $R = 35.00'$   
 $T = 35.02'$   
 $L = 55.00'$   
 $E = 14.51'$   
 $e = \text{---}$   
 $T.R. = \text{---}$   
 $S.E. RUN = \text{---}$   
 $P.C. STA = 0+29.86$   
 $P.T. STA = 0+84.86$

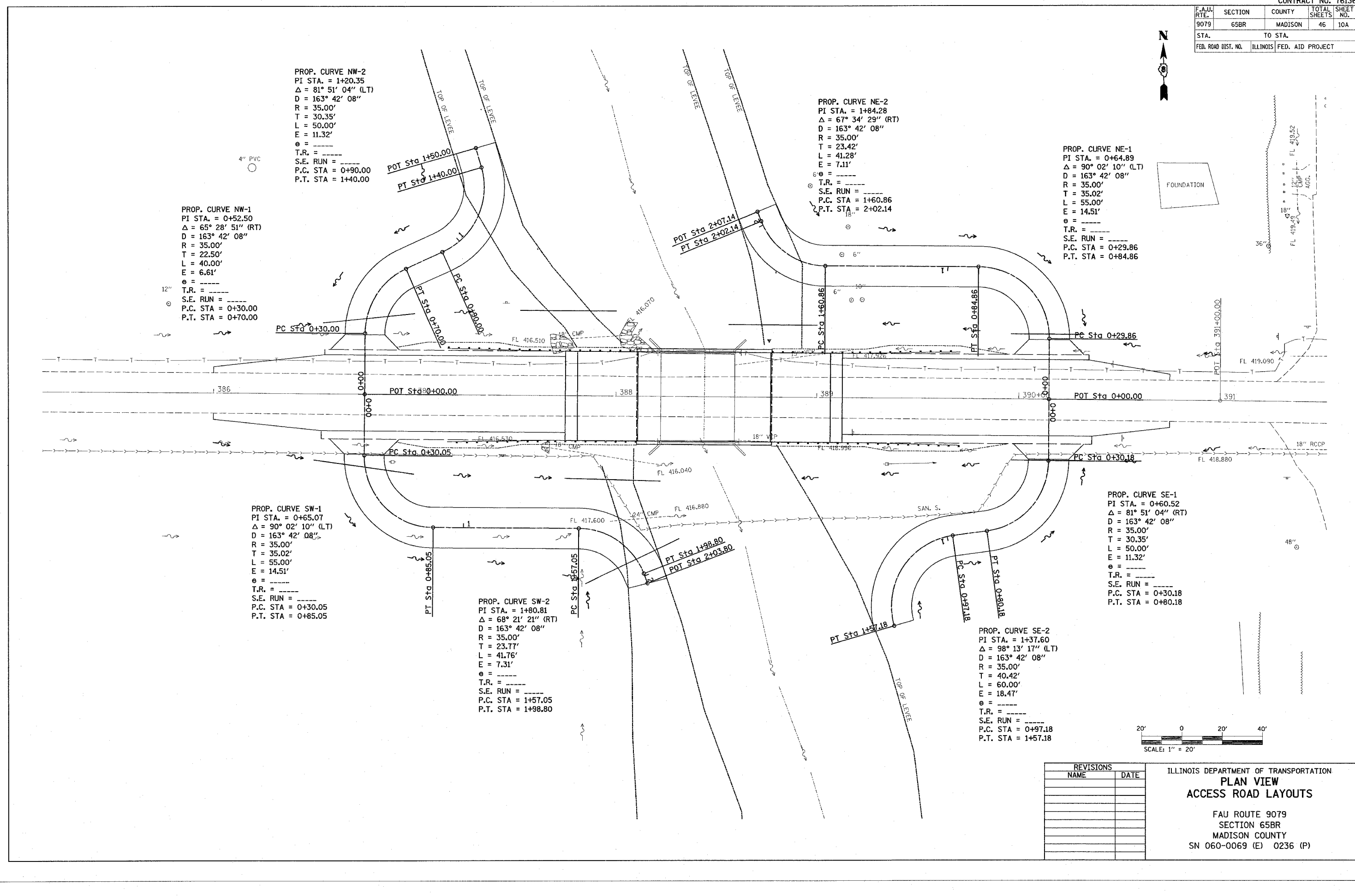
PROP. CURVE SW-1  
 PI STA. = 0+65.07  
 $\Delta = 90^\circ 02' 10''$  (LT)  
 $D = 163^\circ 42' 08''$   
 $R = 35.00'$   
 $T = 35.02'$   
 $L = 55.00'$   
 $E = 14.51'$   
 $e = \text{---}$   
 $T.R. = \text{---}$   
 $S.E. RUN = \text{---}$   
 $P.C. STA = 0+30.05$   
 $P.T. STA = 0+85.05$

PROP. CURVE SW-2  
 PI STA. = 1+80.81  
 $\Delta = 68^\circ 21' 21''$  (RT)  
 $D = 163^\circ 42' 08''$   
 $R = 35.00'$   
 $T = 23.77'$   
 $L = 41.76'$   
 $E = 7.31'$   
 $e = \text{---}$   
 $T.R. = \text{---}$   
 $S.E. RUN = \text{---}$   
 $P.C. STA = 1+57.05$   
 $P.T. STA = 1+98.80$

PROP. CURVE SE-1  
 PI STA. = 0+60.52  
 $\Delta = 81^\circ 51' 04''$  (RT)  
 $D = 163^\circ 42' 08''$   
 $R = 35.00'$   
 $T = 30.35'$   
 $L = 50.00'$   
 $E = 11.32'$   
 $e = \text{---}$   
 $T.R. = \text{---}$   
 $S.E. RUN = \text{---}$   
 $P.C. STA = 0+30.18$   
 $P.T. STA = 0+80.18$

PROP. CURVE SE-2  
 PI STA. = 1+37.60  
 $\Delta = 98^\circ 13' 17''$  (LT)  
 $D = 163^\circ 42' 08''$   
 $R = 35.00'$   
 $T = 40.42'$   
 $L = 60.00'$   
 $E = 18.47'$   
 $e = \text{---}$   
 $T.R. = \text{---}$   
 $S.E. RUN = \text{---}$   
 $P.C. STA = 0+97.18$   
 $P.T. STA = 1+57.18$

PLOT DATE = 10/19/2006  
 FILE NAME = c:\pvc\pvc\106699\plan\106699a.dgn  
 PLOT SCALE = 20.0000 / IN.  
 REFERENCE = #REF#

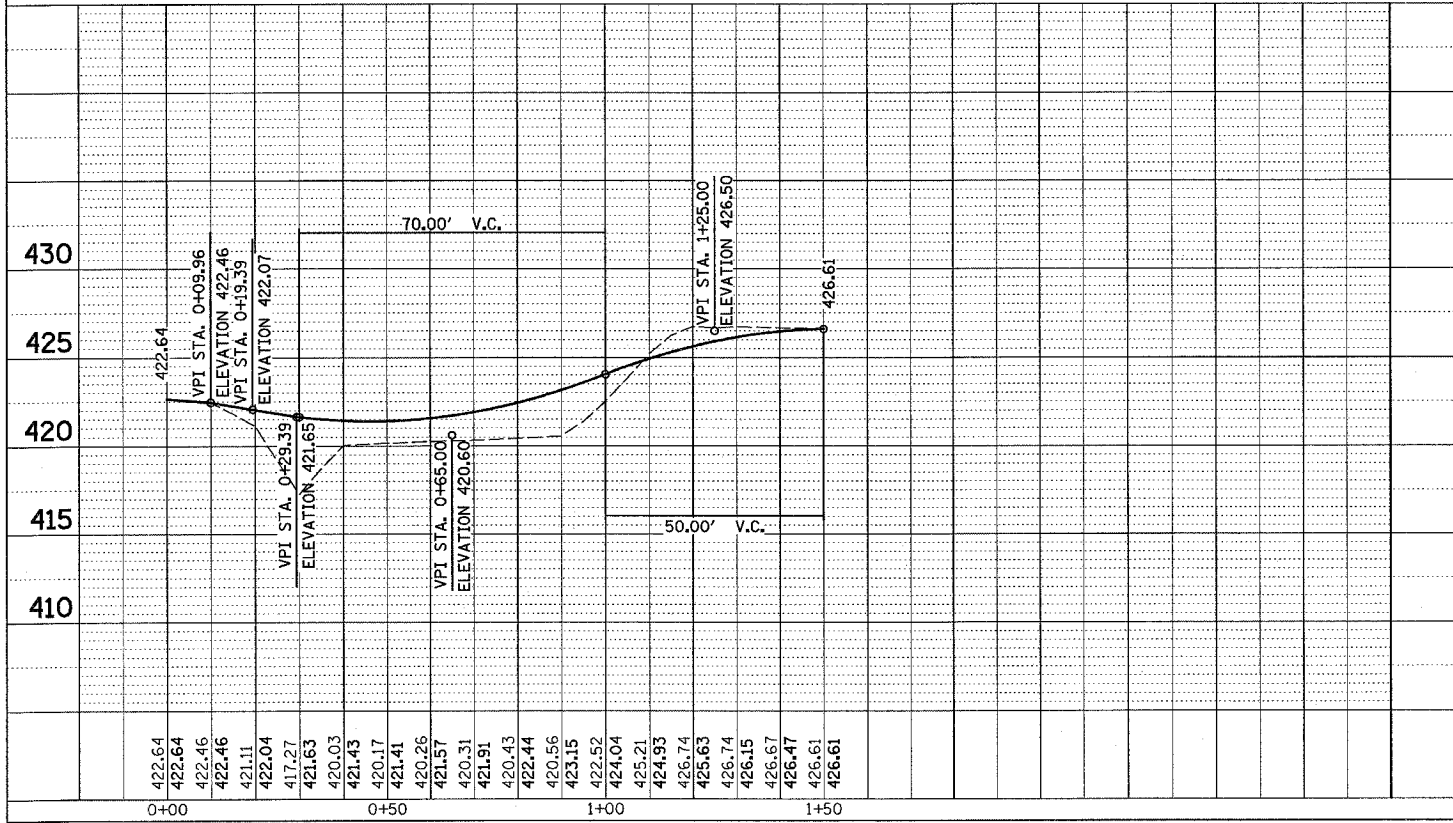




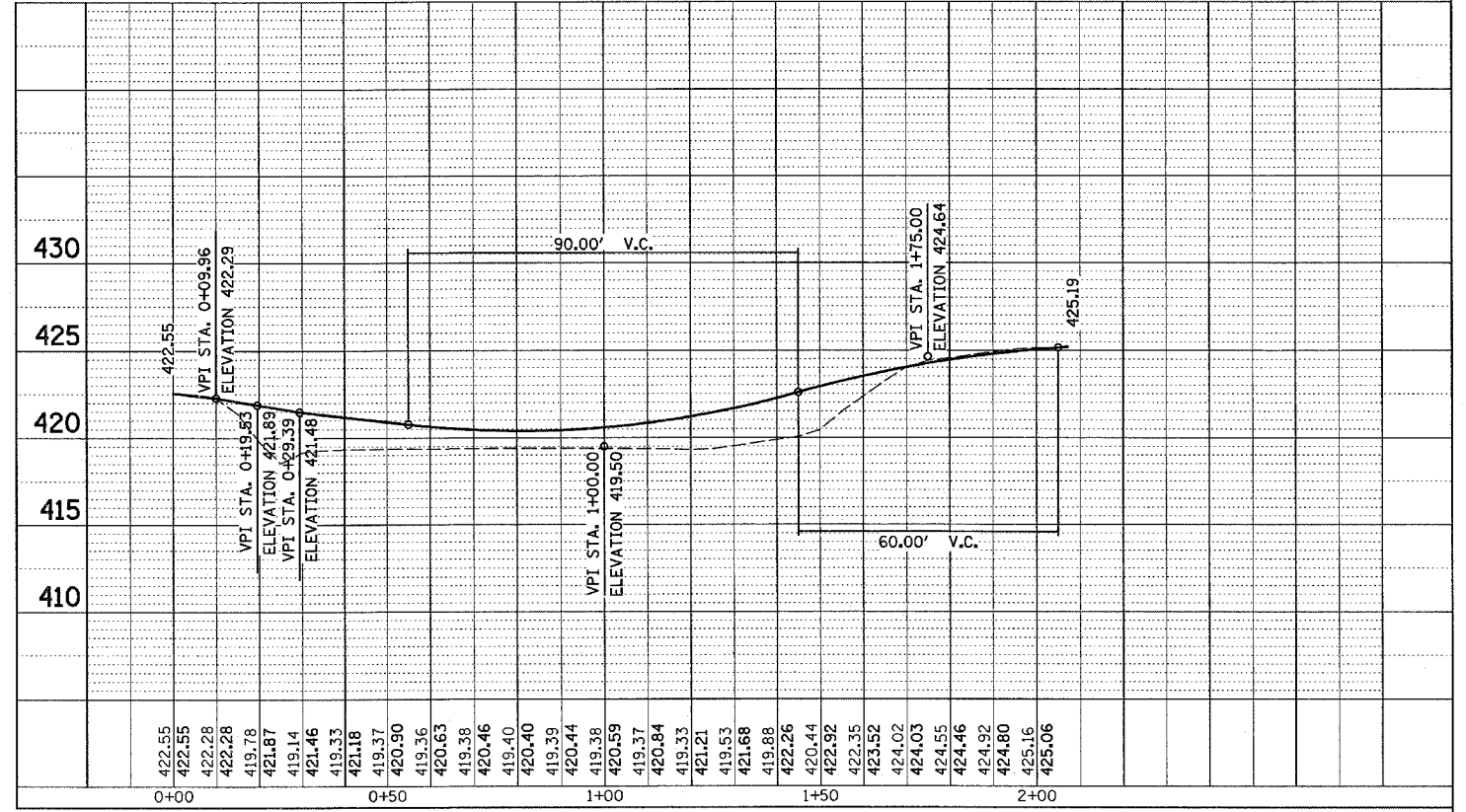


F.A.U. RTE.	SECTION	COUNTY	TOTAL SHEETS	SHEET NO.
9079	65BR	MADISON	46	13
STA.		TO STA.		
FED. ROAD DIST. NO.		ILLINOIS FED. AID PROJECT		

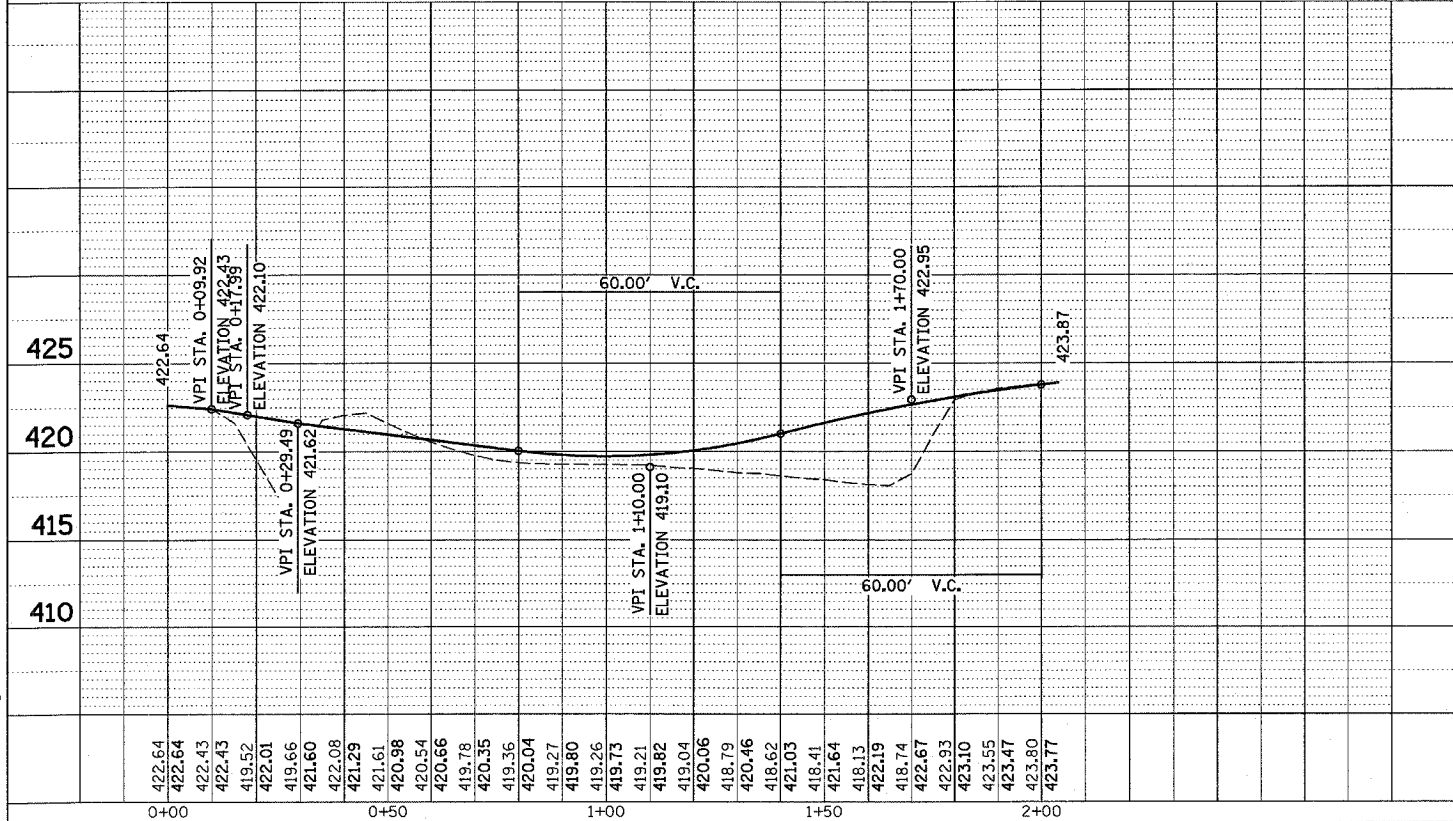
NORTHWEST ACCESS



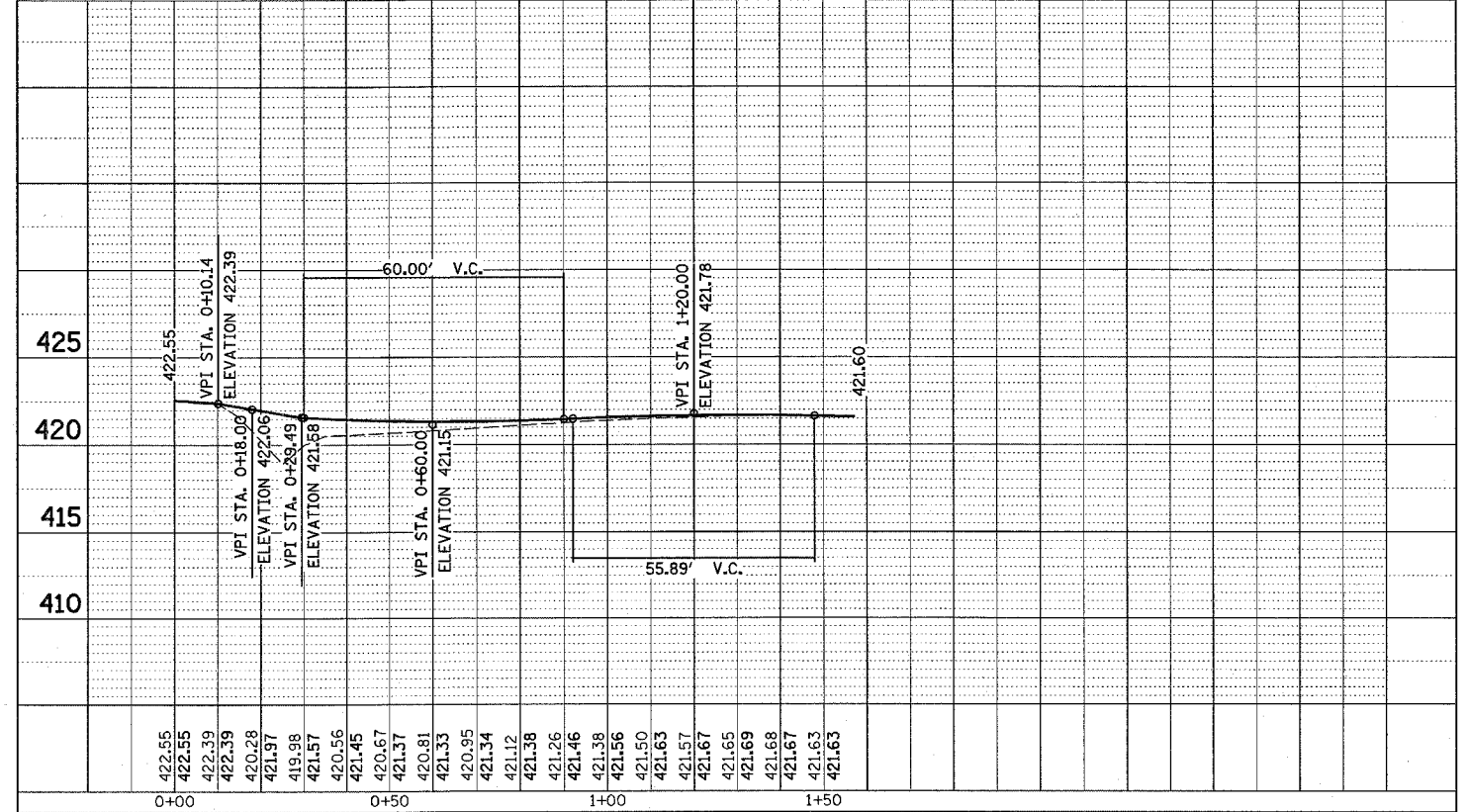
NORTHEAST ACCESS



SOUTHWEST ACCESS



SOUTHEAST ACCESS



PLAN

DATE	BY
REVISION	BY
DATE	BY
DATE	BY

NOTE BOOK NO. \_\_\_\_\_

PAID FILE NAME \_\_\_\_\_

PROFILE

DATE	BY
REVISION	BY
DATE	BY
DATE	BY

NOTE BOOK NO. \_\_\_\_\_

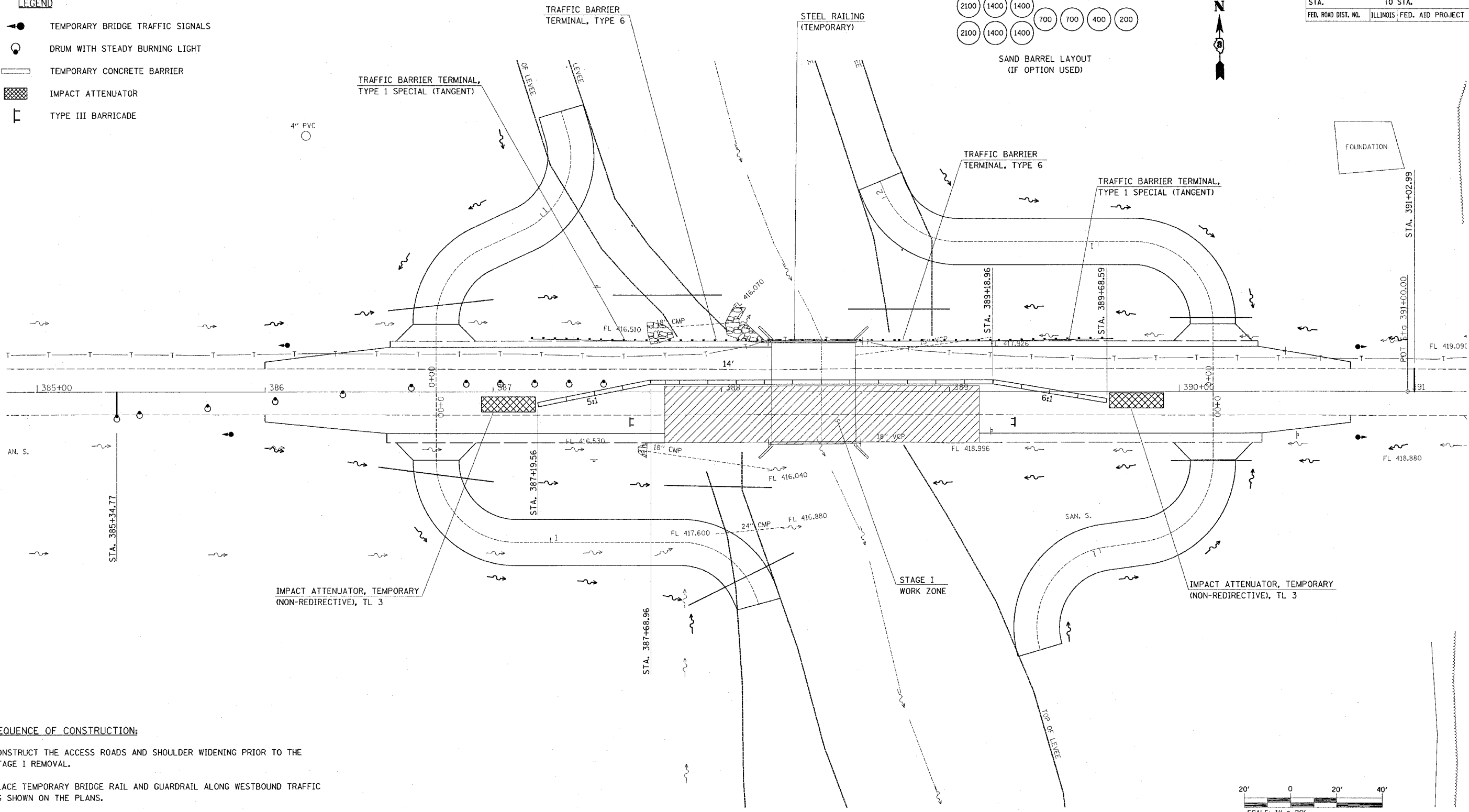
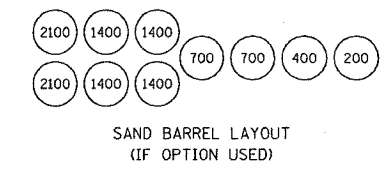
STRUCTURE NO. \_\_\_\_\_

NOTATION: CRFD

PLOT DATE = 10/19/2006  
 FILE NAME = c:\projects\med6599\plan\p16699a.dgn  
 PLOT SCALE = 26.0000' / IN.  
 USER NAME = hambaughd

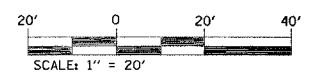
F.A.U. RTE.	SECTION	COUNTY	TOTAL SHEETS	SHEET NO.
9079	65BR	MADISON	46	14
STA. TO STA.		ILLINOIS FED. AID PROJECT		
FED. ROAD DIST. NO.		ILLINOIS FED. AID PROJECT		

- LEGEND**
- TEMPORARY BRIDGE TRAFFIC SIGNALS
  - DRUM WITH STEADY BURNING LIGHT
  - ▬ TEMPORARY CONCRETE BARRIER
  - ▨ IMPACT ATTENUATOR
  - T TYPE III BARRICADE



**SEQUENCE OF CONSTRUCTION:**

- CONSTRUCT THE ACCESS ROADS AND SHOULDER WIDENING PRIOR TO THE STAGE I REMOVAL.
- PLACE TEMPORARY BRIDGE RAIL AND GUARDRAIL ALONG WESTBOUND TRAFFIC AS SHOWN ON THE PLANS.
- PLACE TEMPORARY RUMBLE STRIPS (6 EACH) AS SHOWN ON STANDARD 701231.
- PLACE 250 FT TEMPORARY CONCRETE BARRIER, BARRELS, AND 2 EACH IMPACT ATTENUATORS, TEMPORARY.
- SEE STANDARD 701321 FOR DETAILS NOT SHOWN ON PLANS.
- PERFORM ALL NECESSARY BRIDGE WORK IN STAGE I WORK ZONE.



REVISIONS	
NAME	DATE

ILLINOIS DEPARTMENT OF TRANSPORTATION

**STAGE I CONSTRUCTION**

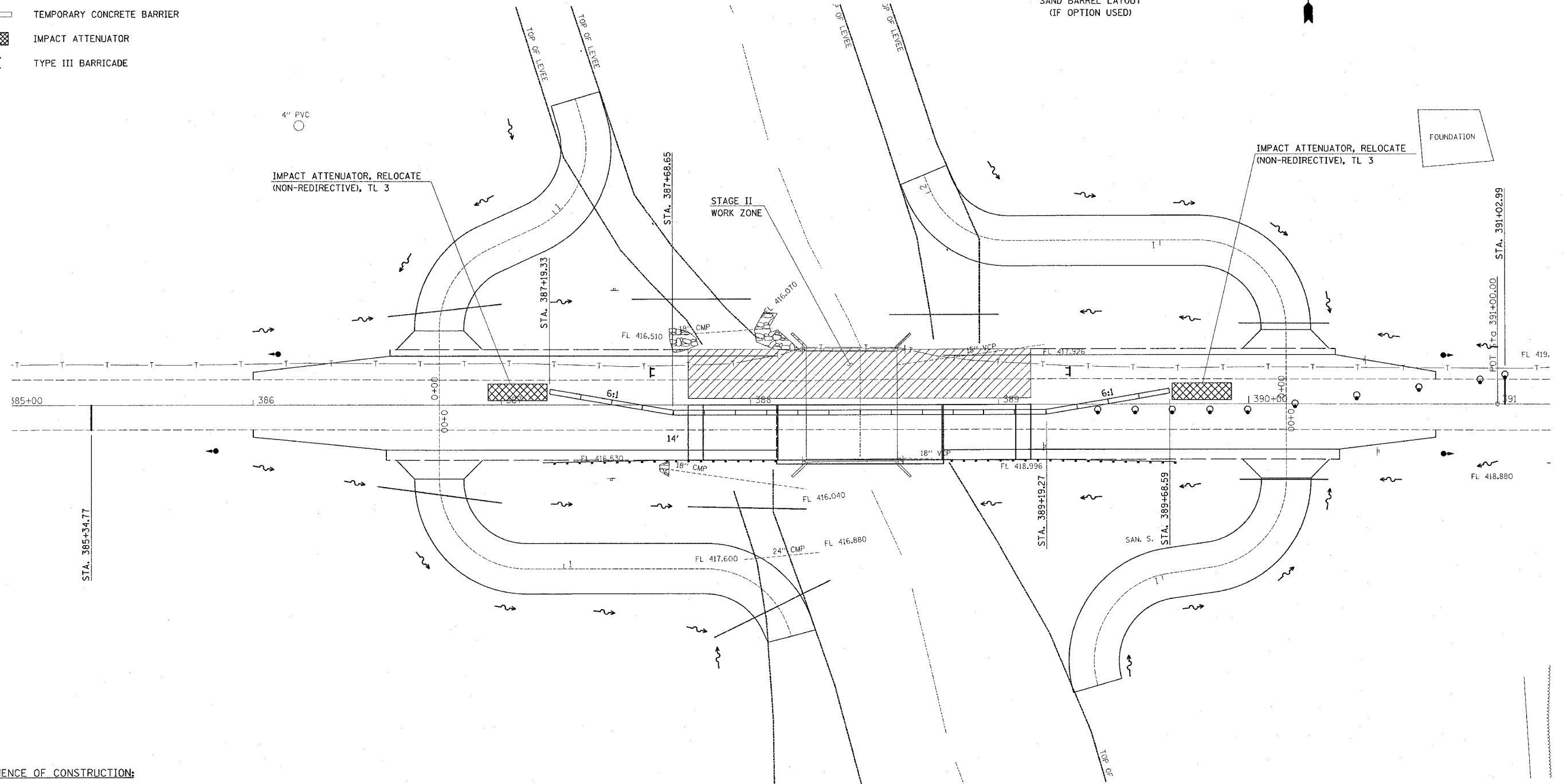
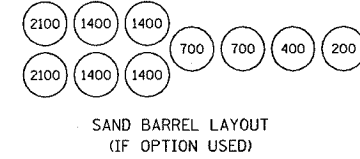
FAU ROUTE 9079  
SECTION 65BR  
MADISON COUNTY  
SN 060-0069 (E) 0236 (P)

PLOT DATE = 10/19/2006  
 FILE NAME = c:\puro\mca\del65br\plan\p16699a.dgn  
 PLOT SCALE = 20.0000' / IN.  
 REFERENCE = #REF#

F.A.U. RTE.	SECTION	COUNTY	TOTAL SHEETS	SHEET NO.
9079	65BR	MADISON	46	15
STA.		TO STA.		
FED. ROAD DIST. NO.		ILLINOIS FED. AID PROJECT		

**LEGEND**

- TEMPORARY BRIDGE TRAFFIC SIGNALS
- DRUM WITH STEADY BURNING LIGHT
- TEMPORARY CONCRETE BARRIER
- IMPACT ATTENUATOR
- TYPE III BARRICADE



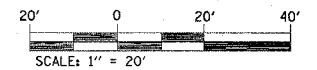
**SEQUENCE OF CONSTRUCTION:**

PLACE GUARDRAIL ALONG EASTBOUND TRAFFIC SHOWN ON THE PLANS.

RELOCATE 250 FT TEMPORARY CONCRETE BARRIER, BARRELS, AND IMPACT ATTENUATORS (2 EACH).

REMOVE TEMPORARY BRIDGE RAIL & TRAFFIC BARRIER TERMINAL, TYPE 6A (2 EACH) FROM STAGE I.

PERFORM ALL NECESSARY BRIDGE WORK IN STAGE II WORK ZONE.



REVISIONS	
NAME	DATE

ILLINOIS DEPARTMENT OF TRANSPORTATION

**STAGE II CONSTRUCTION**

FAU ROUTE 9079  
SECTION 65BR  
MADISON COUNTY  
SN 060-0069 (E) 0236 (P)

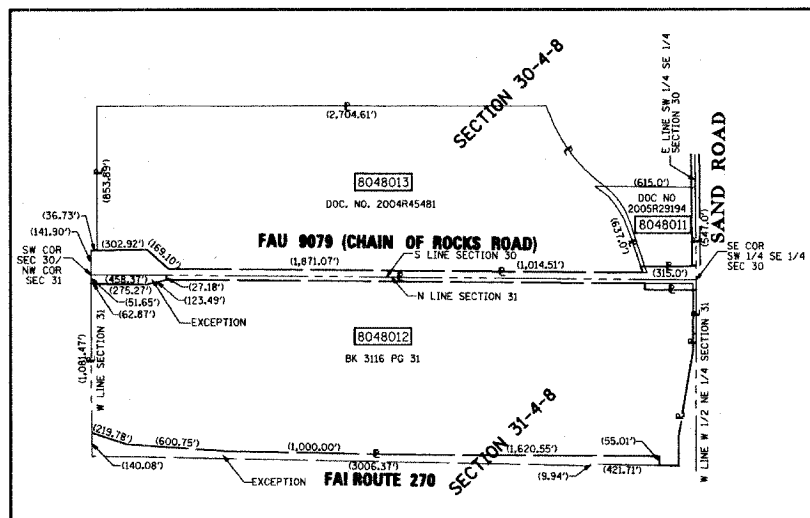
PLOT DATE = 10/19/2006  
 PLOT SCALE = 20.0000' / IN.  
 REFERENCE = REF#



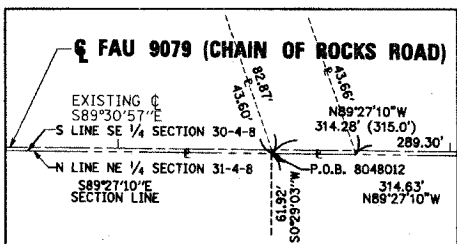
PART OF THE SE 1/4 OF SECTION 30, AND PART OF THE NE 1/4 OF SECTION 31, ALL IN T4N, R8W, OF THE 3RD PM, MADISON COUNTY, ILLINOIS

COORDINATES SHOWN HEREON ARE BASED ON SURVEY CONTROL DATA AS PROVIDED BY THE ILLINOIS DEPARTMENT OF TRANSPORTATION.

FILE NO.	SECTION	COUNTY	TWP.	RANGE
9079	65BR	MADISON	46	16
STA. 385+00		TO STA. 391+00		
CONTRACT NO.:				



TOTAL HOLDING SKETCH  
NOT TO SCALE

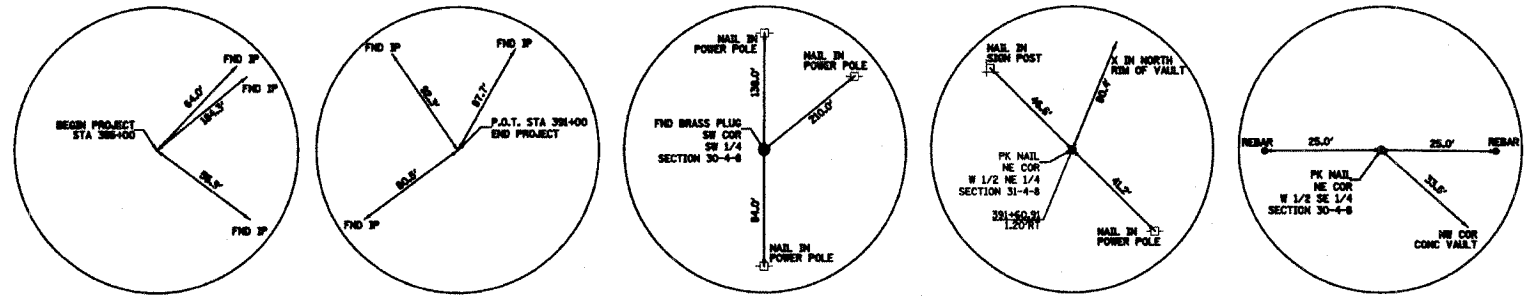
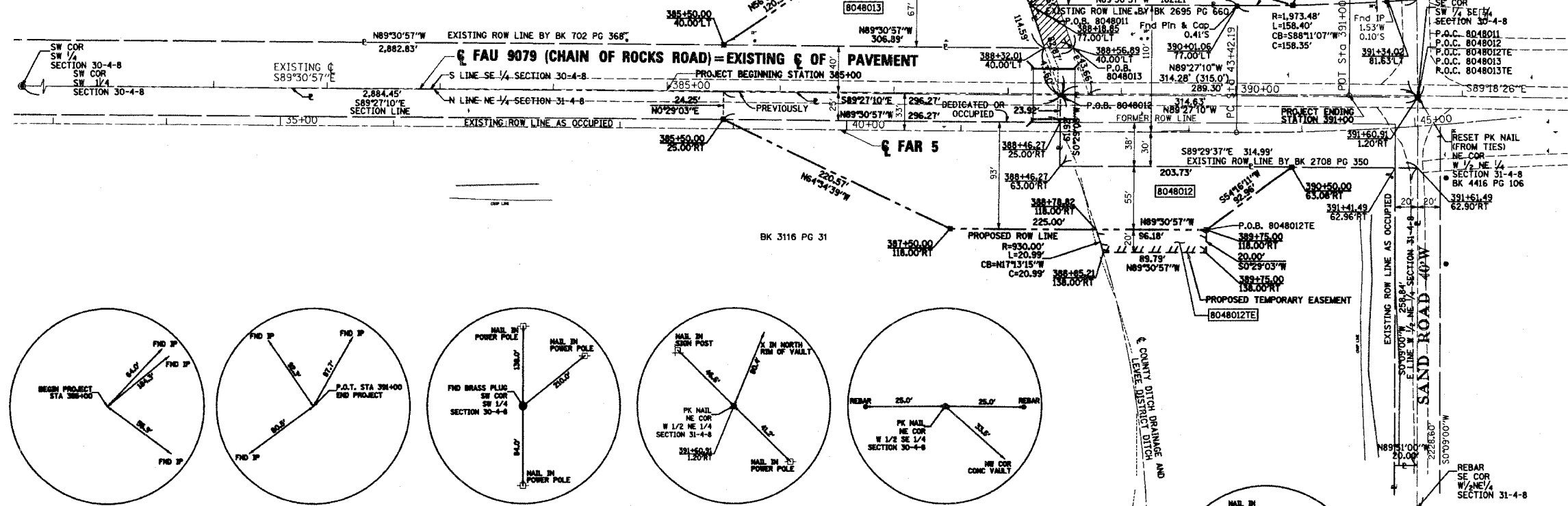


SECTION LINE & DETAIL  
NOT TO SCALE

STATION	OFFSET	NORTH	EAST
385+00.00	0.00	762,392.2004	2,336,228.9416
385+50.00	40.00 LT	762,431.7765	2,336,219.2778
385+50.00	25.00 RT	762,366.7788	2,336,218.7286
386+50.00	107.00 LT	762,497.9290	2,336,379.8409
387+50.00	118.00 RT	762,272.0920	2,336,477.9355
388+08.18	107.00 LT	762,496.5922	2,336,538.0184
388+32.91	107.00 LT	762,496.3833	2,336,562.7416
388+56.89	40.00 LT	762,429.1830	2,336,586.1561
389+50.00	107.00 LT	762,495.3938	2,336,679.8298
389+75.00	118.00 RT	762,270.1905	2,336,702.3275
390+50.00	77.61 LT	762,465.1564	2,336,779.5778
390+50.00	63.08 RT	762,324.4758	2,336,778.3889
391+00.00	0.00	762,387.1300	2,336,828.9200
391+60.91	1.20 RT	762,385.1900	2,336,889.8068
SE COR SW 1/4 SEC 30		762,420.1267	2,333,232.5084
SE COR W 1/2 NE 1/4 SEC 31		760,156.6014	2,336,883.9771
NE COR W 1/2 SE 1/4 SEC 30		765,065.8820	2,336,861.3361

LEGEND

- SECTION CORNER
- QUARTER SECTION CORNER
- EXISTING CENTERLINE
- EXISTING RIGHT OF WAY LINE
- EXISTING EASEMENT LINE
- PROPOSED CENTERLINE
- PROPOSED RIGHT OF WAY LINE
- PROPOSED TEMPORARY EASEMENT LINE
- PROPOSED PERMANENT EASEMENT LINE
- SECTION LINE
- QUARTER SECTION LINE
- QUARTER QUARTER SECTION LINE
- PROPERTY (DEED) LINE
- APPARENT PROPERTY LINE
- 121.45 MEASURED DIMENSION
- 123.45 (COMP) COMPUTED DIMENSION
- (123.45) RECORDED DIMENSION
- FOUND IRON PIPE OR IRON ROD AT CORNER UNLESS OTHERWISE NOTED
- SET 1/2 INCH IRON ROD AT CORNER UNLESS OTHERWISE NOTED
- PERMANENT SURVEY MONUMENT, I.D.O.T. STD. 667101 (TO BE SET BY OTHERS)
- CUT CROSS FOUND OR SET
- SAME OWNERSHIP
- EXISTING BUILDING



PARCEL NO.	OWNER	TOTAL HOLDING ACRES	FEE SIMPLE ACQUISITION				REMAINDER ACRES	EASEMENTS		PERMANENT TAX NUMBER	PROPERTY ACQUIRED BY		
			GROSS ACRES	PREVIOUSLY DEDICATED ACRES	NET ACRES	SO. FT.		FE - PERMANENT ACRES	TE - TEMPORARY ACRES				
8048011	RF & M, INC. AS TO AN UNDIVIDED 1/2 INTEREST, EDWARD TROBER AS TO AN UNDIVIDED 1/4 INTEREST AND RICHARD R. ZOELLNER AND CLARA ZOELLNER, HUSBAND AND WIFE AS JOINT TENANTS AS TO AN UNDIVIDED 1/4 INTEREST TITLE REPORT MA-3763.0	4.7115	0.1289	5,615	N/A	0.1289	5,615	4,5626	N/A	N/A	14-1-15-30-00-000-007		
8048012	ARTHUR H. FABER AND WALTER DEAN FABER AS JOINT TENANTS TITLE REPORT MA-3765.0	85.6336	0.7926	34,526	0.1638	7,135	0.6288	27,391	84,8410	TE=0.0427	TE=1,859	ENTRANCE CONSTRUCTION & GRADING 14-1-15-31-00-000-001 14-1-15-31-00-000-002	
8048013	PEORIA BB & B LLC, A MISSOURI LIMITED LIABILITY COMPANY TITLE REPORT MA-3766.0	66.7847	0.3767	16,408	0.0211	919	0.3556	15,489	66,4080	TE=0.1074	TE=4,677	ENTRANCE CONSTRUCTION & GRADING 14-1-15-30-00-000-002,002	

STATE OF ILLINOIS )  
COUNTY OF MADISON ) SS

I, LARRY L. STAHLHUT, AN ILLINOIS PROFESSIONAL LAND SURVEYOR, CERTIFY THAT I HAVE SURVEYED THE PLAT OF HIGHWAY SHOWN HEREON AND THAT THIS PROFESSIONAL SERVICE CONFORMS TO THE CURRENT ILLINOIS MINIMUM STANDARDS FOR A BOUNDARY SURVEY FOR THE PROPOSED PARCEL(S) TO BE ACQUIRED BY THE STATE OF ILLINOIS, DEPARTMENT OF TRANSPORTATION, SHOWN HEREON.

DATED 9-18-06  
LARRY L. STAHLHUT, PLS NO. 2214  
LICENSE EXPIRATION DATE: 11/30/2006



**CMT**  
CRAWFORD, MURPHY & TILLY, INC.  
CONSULTING ENGINEERS  
314 WOLF STREET EDWARDSVILLE, IL 62225  
PHONE: (815) 986-0070

ILLINOIS DEPARTMENT OF TRANSPORTATION  
**PLAT OF HIGHWAYS**  
FAU 9079 (CHAIN OF ROCKS ROAD)  
SECTION 65BR  
MADISON COUNTY  
JOB NO. R-98-048-00

STATION 385+00 TO STATION 391+00

50' 0 50' 100'  
SCALE: 1" = 50'

COMPLETION DATE OF FIELD WORK PERFORMED  
LAND SURVEY: JAN. 12, 2006  
RIGHT OF WAY STAKING: MAY 10, 2006

ILLINOIS DEPARTMENT OF TRANSPORTATION  
DIVISION OF HIGHWAYS/DISTRICT 8  
1102 EASTPORT PLAZA DRIVE  
COLLINGSVILLE, ILLINOIS 62234-6198

SHEET 1 IS A COVER SHEET

NO.	DATE	DESCRIPTION	BY

DATE: 9-18-06  
DRAWN BY: [Signature]  
CHECKED BY: [Signature]  
IN CHARGE: [Signature]

PLOT DATE: DATE-TIME

Map is 04065004-COR-SHT.dgn 9/18/2006 8:17:14 AM



STATE OF ILLINOIS  
DEPARTMENT OF TRANSPORTATION

ROUTE NO.	SECTION	COUNTY	TOWNSHIP	SHEET NO.
F.A.U. 9079	65BR	MADISON	46	18
FED. ROAD DIST. NO. 7		ILLINOIS		FED. AID PROJECT

SHEET NO. 1  
11 SHEETS

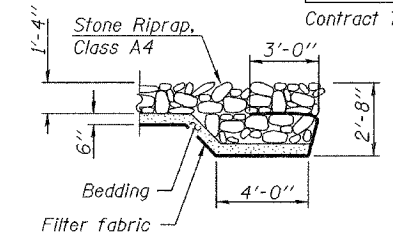
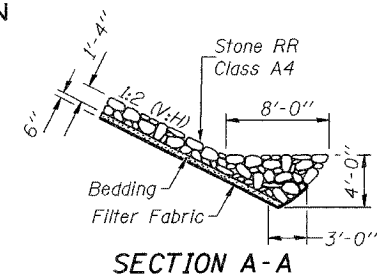
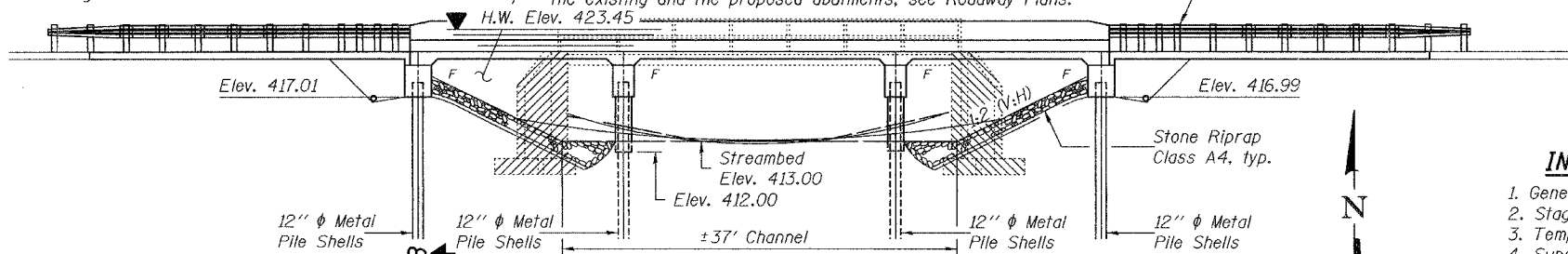
Bench Mark: Square cut on S.E. corner of wingwall of bridge. Elevation 421.96.

Existing Structure: S.N. 060-0069 built in 1920 as F.A.P. B section Y. Widened and reconstructed in 1932 as S.B.I. Route 4 section 65-B. The existing superstructure consists of a reinforced concrete deck supported by single span steel wide flange beams. The substructure consists of closed abutments. The back to back of abutment length is 38'-0" and the face to face width of the deck is 42'-9". The structure is to be replaced. During construction, traffic will be maintained using stage construction.

No salvage

For quantities of Pavement Removal and Excavation between the existing and the proposed abutments, see Roadway Plans.

Traffic Barrier Terminal  
Std. 631031 Type 6 typ.



STATION 388+43.96  
BUILT 20 BY  
STATE OF ILLINOIS  
F.A.U. RT. 9079 - SEC. 65BR  
LOADING HS20  
STR. NO. 060-0236

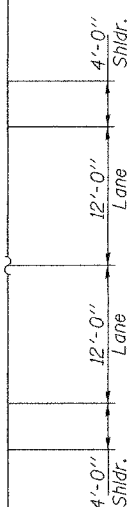
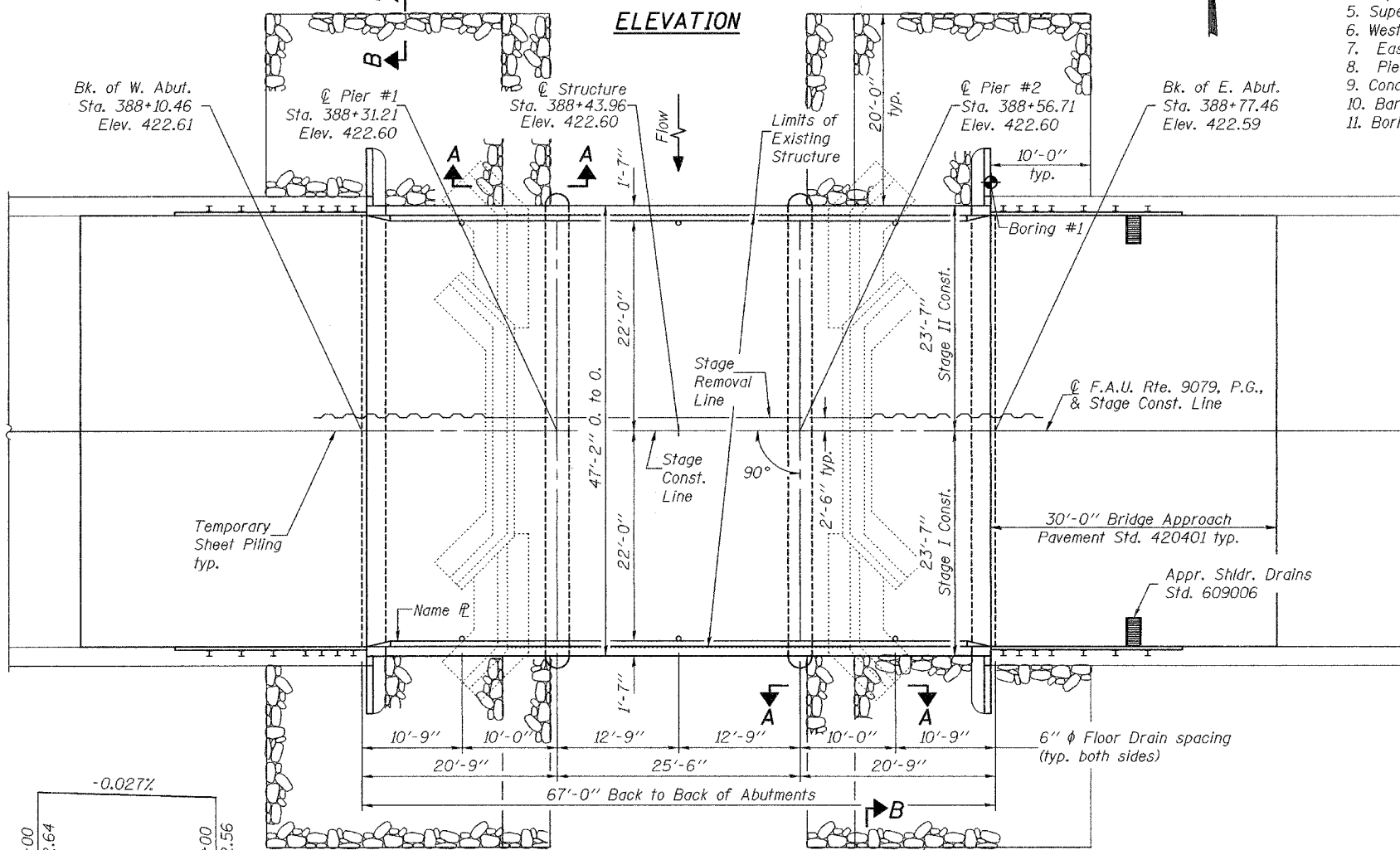
NAME PLATE  
See Std. 515001

INDEX OF SHEETS

1. General Plan and Elevation
2. Stage Construction Details
3. Temporary Concrete Barrier for Stage Construction
4. Superstructure
5. Superstructure Details
6. West Abutment
7. East Abutment
8. Piers
9. Concrete Pile Details
10. Bar Splicer Assembly Details
11. Boring Logs

GENERAL NOTES

Reinforcement bars shall conform to the requirements of ASTM A 706 Gr 60 (IL Modified). See Special Provisions.  
Layout of slope protection system may be varied in the field to suit ground conditions as directed by the Engineer.  
The Contractor shall drive test piles to 110% of the nominal required bearing specified in production locations at substructures specified or approved by the Engineer before ordering the remainder of piles.  
The backfill behind the abutments shall be placed after the deck slab is in place and the forms removed.  
The existing structural steel coating contains lead. The Contractor shall take appropriate precautions to deal with the presence of lead on this project.  
Reinforcement bars designated (E) shall be epoxy coated.



TOTAL BILL OF MATERIAL

ITEM	UNIT	SUPER	SUB	TOTAL
Porous Granular Embankment (Special)	Cu. Yd.		78	78
Stone Riprap, Class A4	Sq. Yd.		437	437
Filter Fabric	Sq. Yd.		437	437
Removal of Existing Structures	Each		1	1
Structure Excavation	Cu. Yd.		184	184
Floor Drains	Each	6		6
Concrete Structures	Cu. Yd.		100.0	100.0
Concrete Superstructure	Cu. Yd.	169.8		169.8
Bridge Deck Grooving	Sq. Yd.		308	308
Protective Coat	Sq. Yd.		378	378
Reinforcement Bars, Epoxy Coated	Pound	29410	11280	40690
Test Pile Metal Shells	Each		2	2
Temporary Sheet Piling	Sq. Ft.		827	827
Name Plates	Each	1		1
Furnishing Metal Pile Shells 12" φ	Foot		1134	1134
Driving Piles	Foot		1134	1134
Underwater Structure Excavation Protection Loc. 1	Each		1	1
Underwater Structure Excavation Protection Loc. 2	Each		1	1
Bar Splicers	Each	122	64	186
Pipe Underdrains for Structures, 4"	Foot		148	148
Geocomposite Wall Drain	Sq. Yd.		48	48

LOADING HS20-44

Allow 50#/sq. ft. for future wearing surface.

DESIGN SPECIFICATIONS

1996 AASHTO with 1997 thru 2002 Interims

DESIGN STRESSES

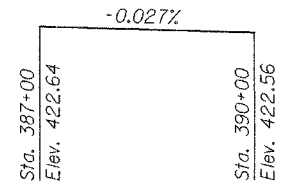
FIELD UNITS  
f<sub>c</sub> = 3,500 psi  
f<sub>y</sub> = 60,000 psi (reinforcement)

SEISMIC DATA

Seismic Performance Category (SPC) = B  
Bedrock Acceleration Coefficient (A) = 0.10g  
Site Coefficient (S) = 1.5

PROFILE GRADE

(along centerline of roadway)



DESIGNED	Alison L. Young
CHECKED	J.P.A. & T.R.B.
DRAWN	BECKY M. LEACH
CHECKED	XXT/BA

EXAMINED  
November 22, 2006  
THOMAS J. DOMAYEN  
ENGINEER OF BRIDGE DESIGN  
PASSED  
Ralph E. Anderson  
ENGINEER OF BRIDGES AND STRUCTURES

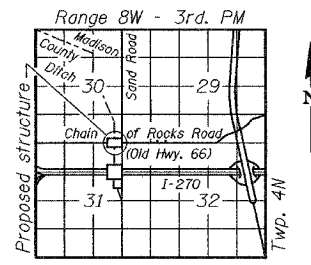


EXPIRES 11-30-2008

WATERWAY INFORMATION

Drainage Area = 7.72 sq. mi. Low Grade Elev. 422.43 @ Sta. 388+22

Flood	Freq. Yr.	Q C.F.S.	Opening Exist.	Opening Prop.	Nat. H.W.E.	Head - Ft. Exist.	Head - Ft. Prop.	Headwater E.L. Exist.	Headwater E.L. Prop.
Design	50	839	239	312	423.45	0.09	0.08	423.54	423.53
Base	100	1138	239	312	424.90	0.10	0.10	425.00	425.00
Overtopping	17	640	239	312	422.30	0.13	0.13	423.43	423.43
Max. Calc.	500	-	-	-	-	-	-	-	-



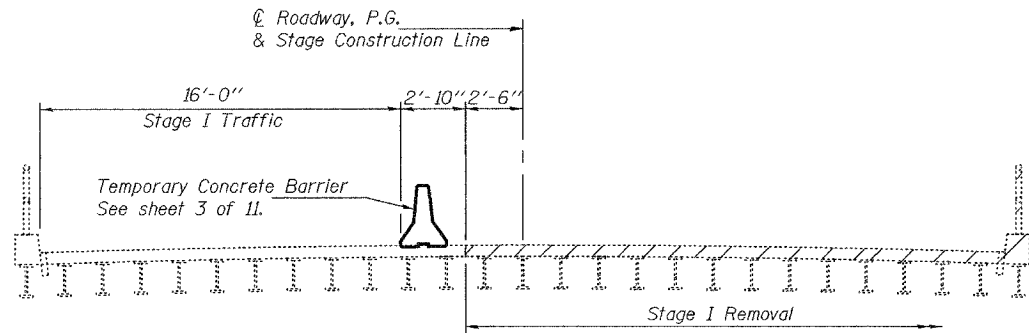
LOCATION SKETCH

GENERAL PLAN & ELEVATION  
OLD HIGHWAY 66 OVER  
MADISON COUNTY DITCH  
F.A.U. ROUTE 9079 - SECTION 65BR  
MADISON COUNTY  
STATION 388+43.96  
STRUCTURE NO. 060-0236

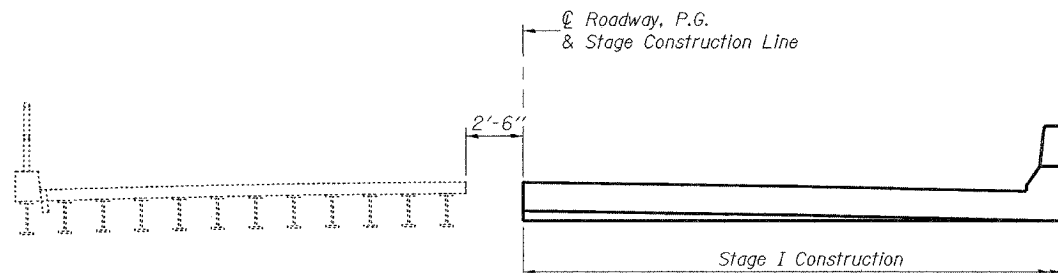
STATE OF ILLINOIS  
DEPARTMENT OF TRANSPORTATION

ROUTE NO.	SECTION	COUNTY	TOTAL SHEETS	SHEET NO.	SHEET NO. 2
F.A.U. 9079	65BR	MADISON	40	19	11 SHEETS
FED. ROAD DIST. NO. 7	ILLINOIS	FED. AID PROJECT-			

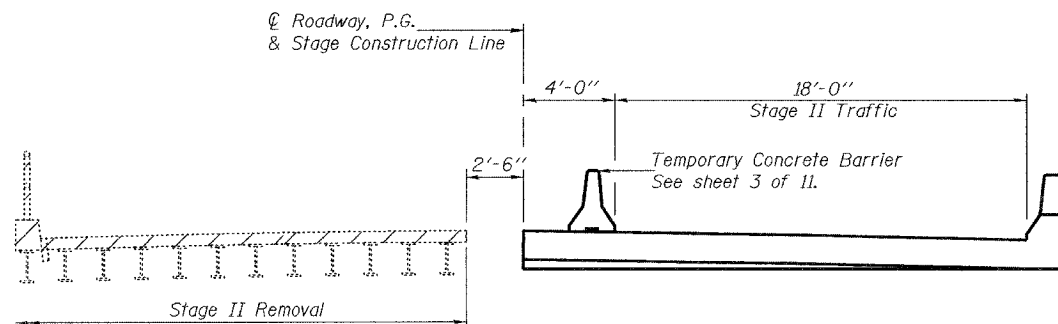
Contract 76136



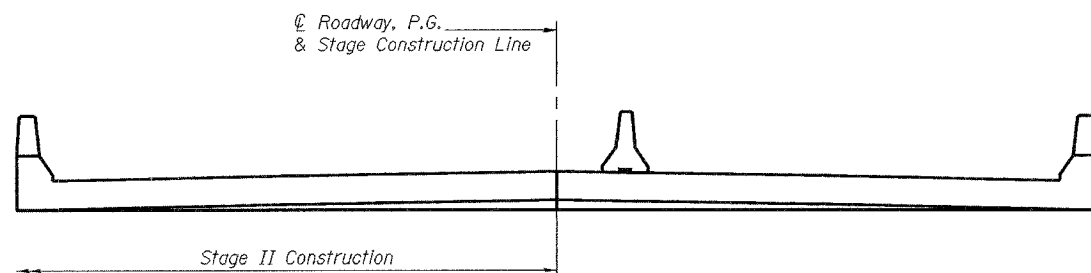
STAGE I REMOVAL



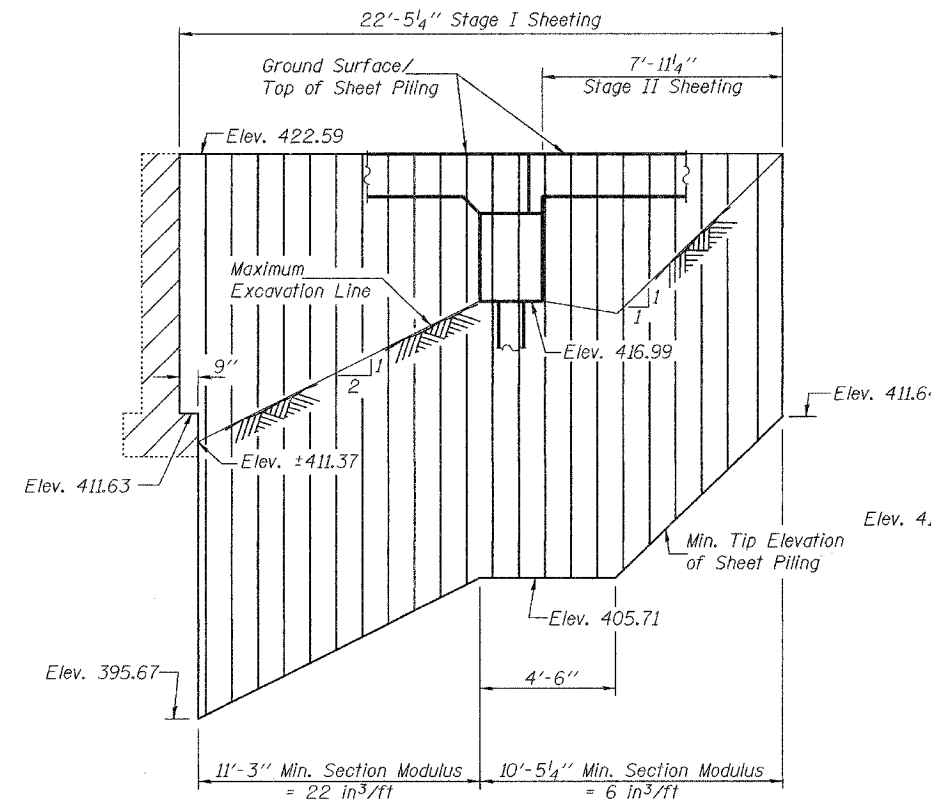
STAGE I CONSTRUCTION



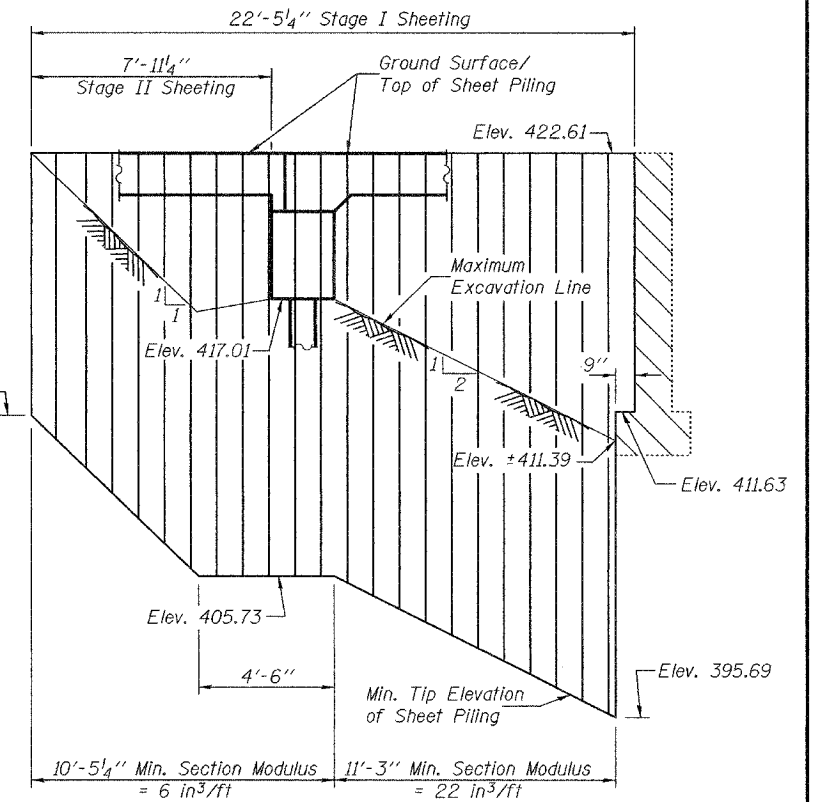
STAGE II REMOVAL



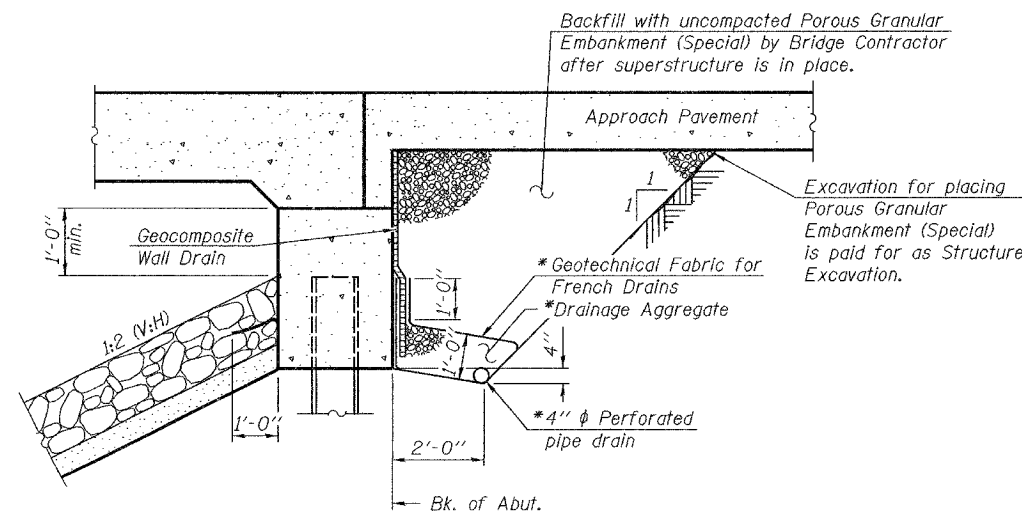
STAGE II CONSTRUCTION



TEMPORARY SHEET PILING AT EAST ABUTMENT



TEMPORARY SHEET PILING AT WEST ABUTMENT



SECTION THRU INTEGRAL ABUTMENT

\* Included in the cost of Pipe Underdrains for Structures, 4".

All drainage system components shall extend to 2'-0" from the end of each wingwall except an outlet pipe shall extend until intersecting with the side slopes. The pipes shall drain into concrete headwalls. (See Article 601.05 of the Standard Specifications and Highway Standard 601101).

Notes:

- Hatched area indicates Removal of Existing Structures. All staging sections are looking East.
- For quantity of Temporary Concrete Barriers, see Roadway Plans.
- If the Contractor chooses to alter the temporary cantilevered sheet piling design requirements shown on the plans, a design submittal including plan details and calculations will be required for review and acceptance by the Engineer.
- The Contractor shall connect the first sheet to the existing abutment wall to ensure stability of sheets driven to the top of the existing footing. This connection shall be reviewed and accepted by the Engineer and included in the cost for Temporary Sheet Piling.

DESIGNED	R.L.T.
CHECKED	J.P.A. & T.R.B.
DRAWN	BECKY M. LEACH
CHECKED	R.L.T. & G.R.A.

EXAMINED	November 22, 2006
PASSED	Thomas J. Damagala ENGINEER OF BRIDGES AND STRUCTURES
	Ralph E. Anderson ENGINEER OF BRIDGES AND STRUCTURES

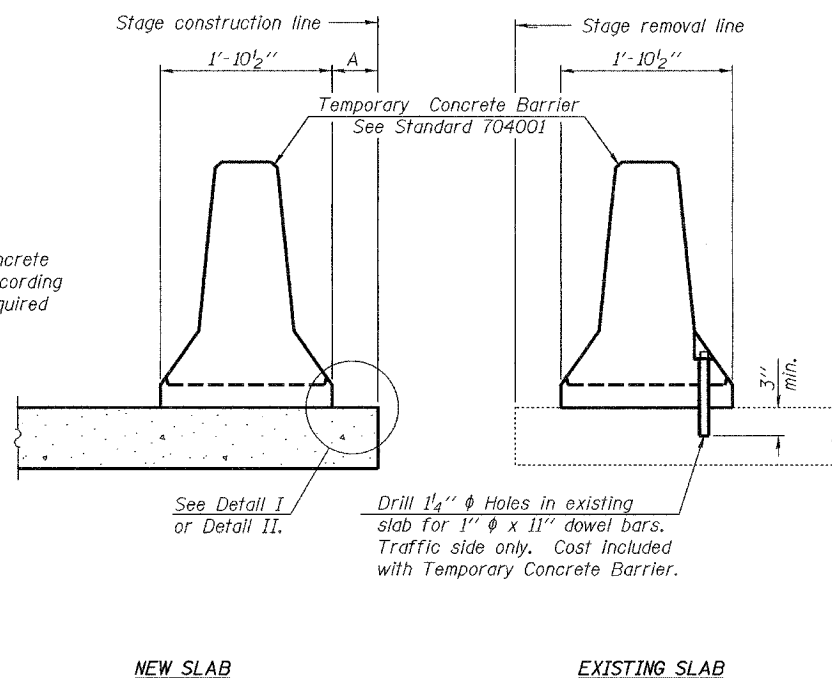
STAGE CONSTRUCTION DETAILS  
F.A.U. ROUTE 9079 - SECTION 65BR  
MADISON COUNTY  
STATION 388+43.96  
STRUCTURE NO. 060-0236

STATE OF ILLINOIS  
DEPARTMENT OF TRANSPORTATION

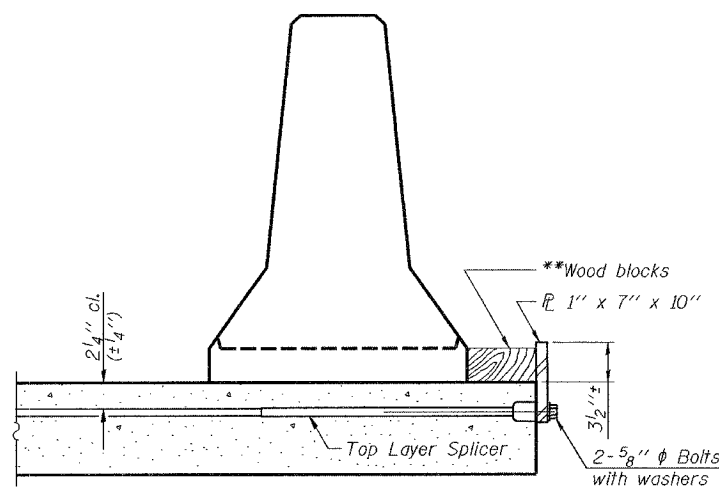
ROUTE NO.	SECTION	COUNTY	TOTAL SHEETS	SHEET NO.	SHEET NO. 3
F.A.U. 9079	65BR	MADISON	46	20	11 SHEETS
FED. ROAD DIST. NO. 7	ILLINOIS	FED. AID PROJECT-			

Contract 76136

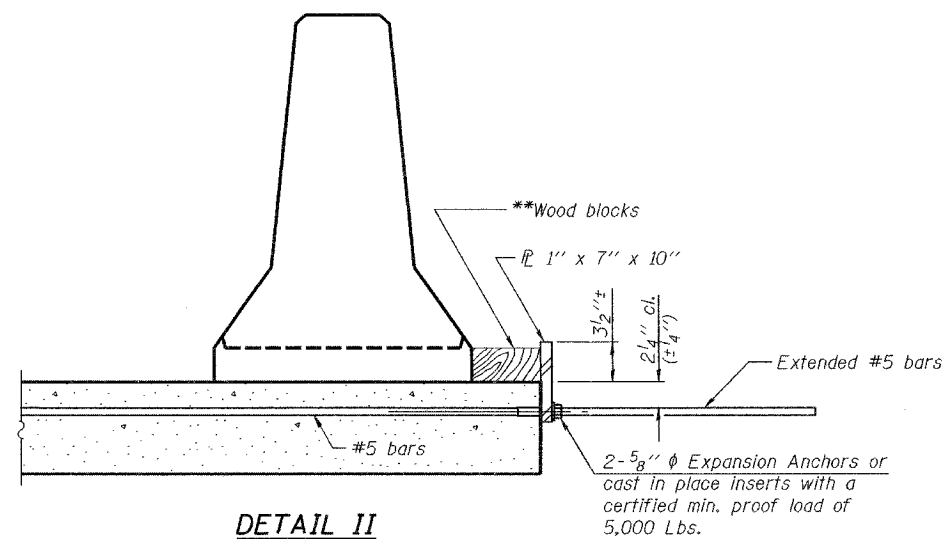
When "A" is 3'-6" or less, the temporary concrete barrier shall be anchored to the new slab according to Detail I or Detail II. No anchorage is required when "A" is greater than 3'-6".



SECTIONS THRU SLAB



DETAIL I

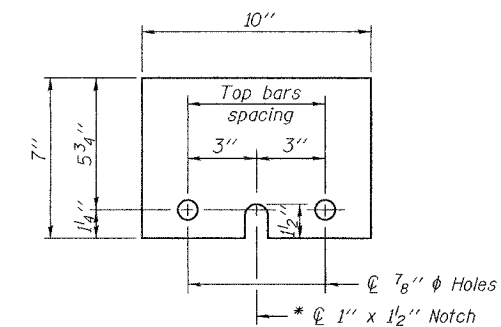


DETAIL II

\*\* Wood blocks may be omitted when required to provide minimum stage traffic lane width. When the wood blocks are omitted, the concrete barrier shall be in direct contact with the steel retainer plate.

NOTES

- Detail I - With Bar Splicer or Couplers:  
Connect one (1) 1"x7"x10" steel  $\bar{L}$  to the top layer of couplers with 2-5/8"  $\phi$  bolts screwed to coupler at approximate  $\bar{C}$  of each barrier panel.
- Detail II - With Extended Reinforcement Bars:  
Connect one (1) 1"x7"x10" steel  $\bar{L}$  to the concrete slab with 2-5/8"  $\phi$  Expansion Anchors or cast in place inserts spaced between the top layer of reinforcement at approximate  $\bar{C}$  of each barrier panel.
- Cost of anchorage is included with Temporary Concrete Barrier. The 1" x 7" x 10" plate shall not be removed until stage II construction forms and all reinforcement bars are in place and the concrete is ready to be placed.



STEEL RETAINER 1" x 7" x 10"

\* Required only with Detail II

TEMPORARY CONCRETE BARRIER  
FOR STAGE CONSTRUCTION  
F.A.U. ROUTE 9079 - SECTION 65BR  
MADISON COUNTY  
STATION 388+43.96  
STRUCTURE NO. 060-0236

DESIGNED	R.L.T.
CHECKED	J.P.A. & T.R.B.
DRAWN	BECKY M. LEACH
CHECKED	R.L.T. & G.R.A.

November 22, 2006
EXAMINED <i>Thomas J. Damagala</i> ENGINEER OF BRIDGE DESIGN
PASSED <i>Ralph E. Carlson</i> ENGINEER OF BRIDGES AND STRUCTURES

R-27

11-1-06

Notes:

See sheet 5 of 11 for superstructure details, parapet reinforcement and Bill of Materials.  
 See sheet 10 of 11 for bar splicer details.  
 Bars indicated thus 2x3-#5 bars etc. indicates 2 lines of bars with 3 lengths per line.  
 See sheet 5 of 11 for Sections A-A and B-B.

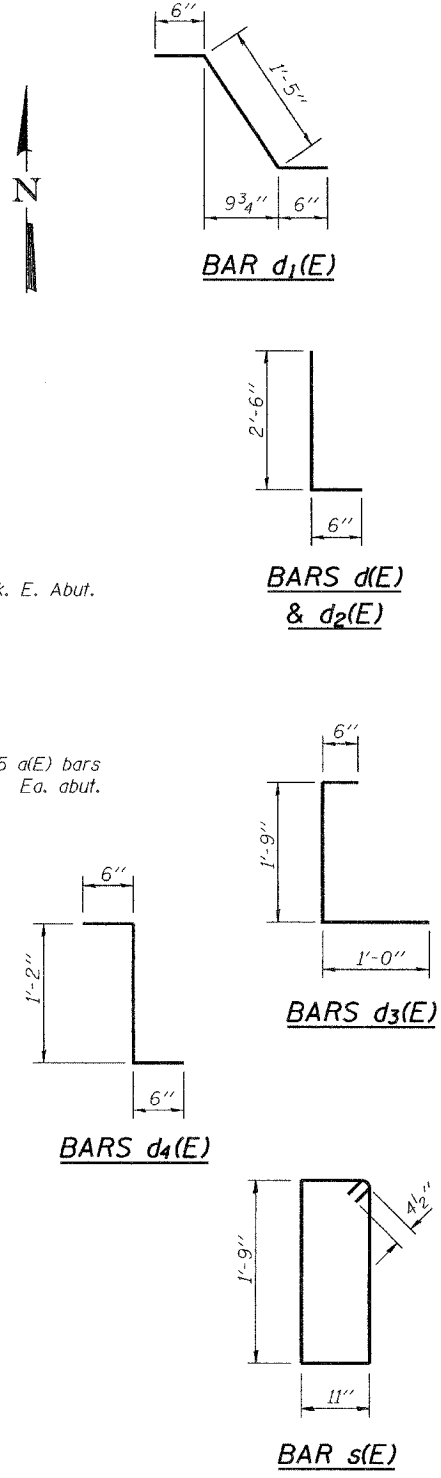
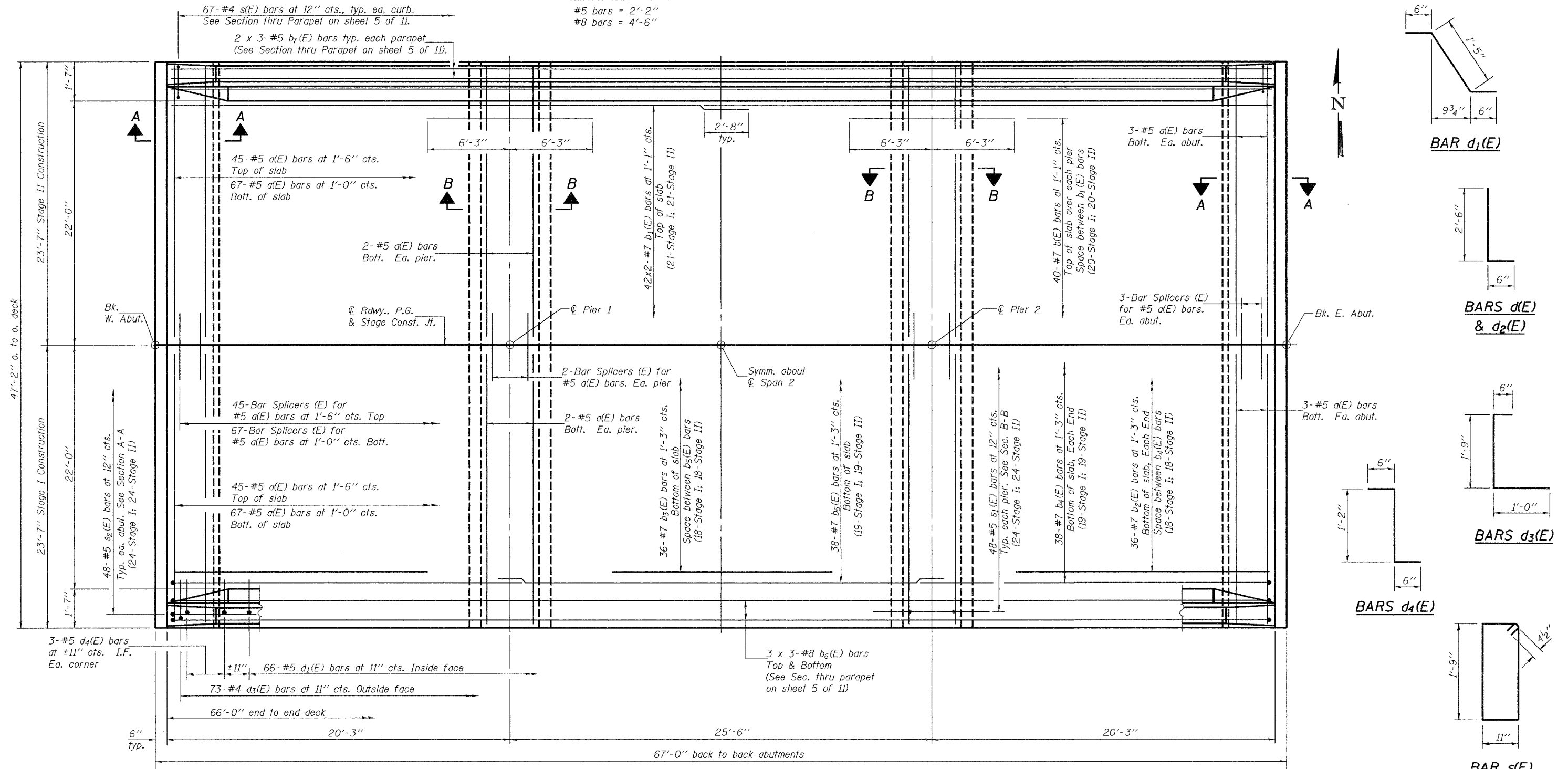
STATE OF ILLINOIS  
 DEPARTMENT OF TRANSPORTATION

ROUTE NO.	SECTION	COUNTY	STAGE	SHEET NO.	SHEET NO. 4
F.A.U. 9079	65BR	MADISON	40	21	11 SHEETS
FED. ROAD DIST. NO. 7	ILLINOIS	FED. AID PROJECT			

Contract 76136

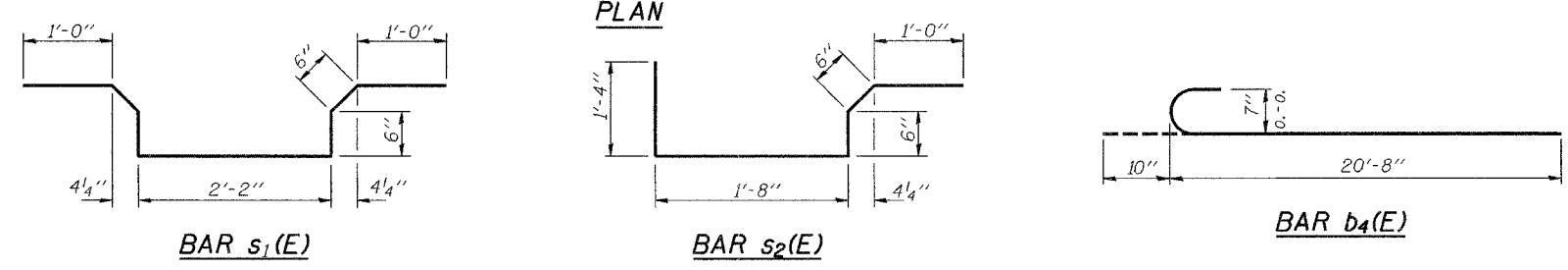
MIN. BAR LAPS

#5 bars = 2'-2"  
 #8 bars = 4'-6"



DESIGNED	R.L.T.
CHECKED	J.P.A. & T.R.B.
DRAWN	BECKY M. LEACH
CHECKED	R.L.T. & G.R.A.

November 22, 2006  
 EXAMINED *Thomas J. Damgalak*  
 ENGINEER OF BRIDGE DESIGN  
 PASSED *Ralph E. Anderson*  
 ENGINEER OF BRIDGES AND STRUCTURES

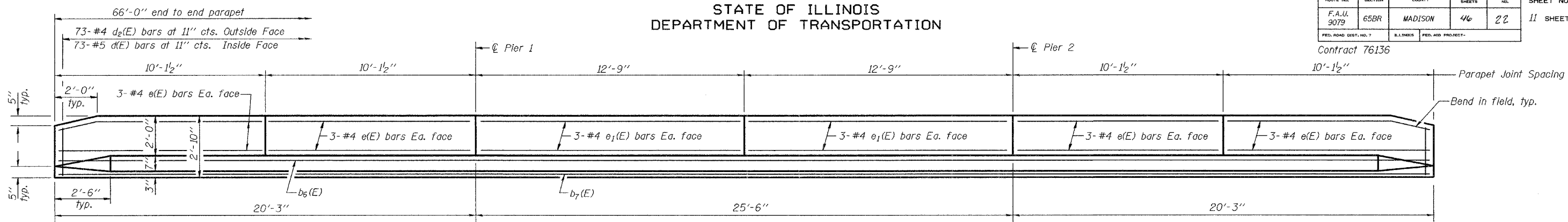


SUPERSTRUCTURE  
 F.A.U. ROUTE 9079 - SECTION 65BR  
 MADISON COUNTY  
 STATION 388+43.96  
 STRUCTURE NO. 060-0236

STATE OF ILLINOIS  
DEPARTMENT OF TRANSPORTATION

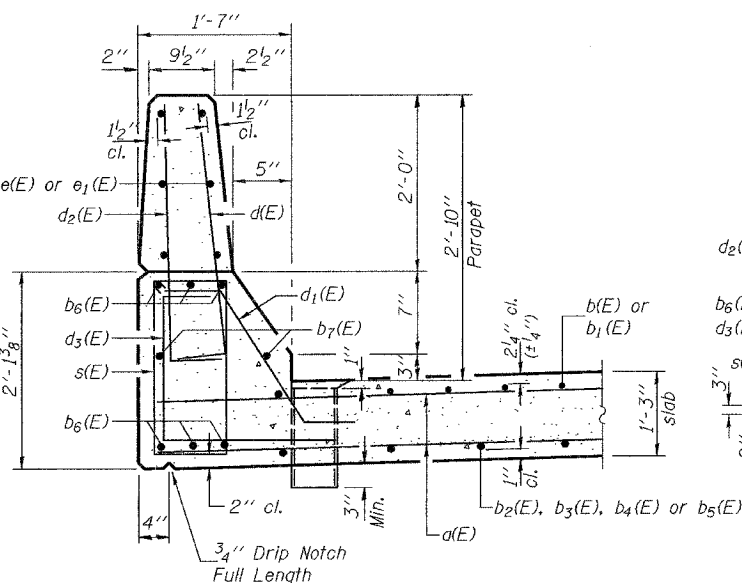
ROUTE NO.	SECTION	COUNTY	TOTAL SHEETS	SHEET NO.	SHEET NO.
F.A.U. 9079	65BR	MADISON	46	22	11
FED. ROAD DIST. NO. 7		ILLINOIS		FED. AID PROJECT-	

Contract 76136

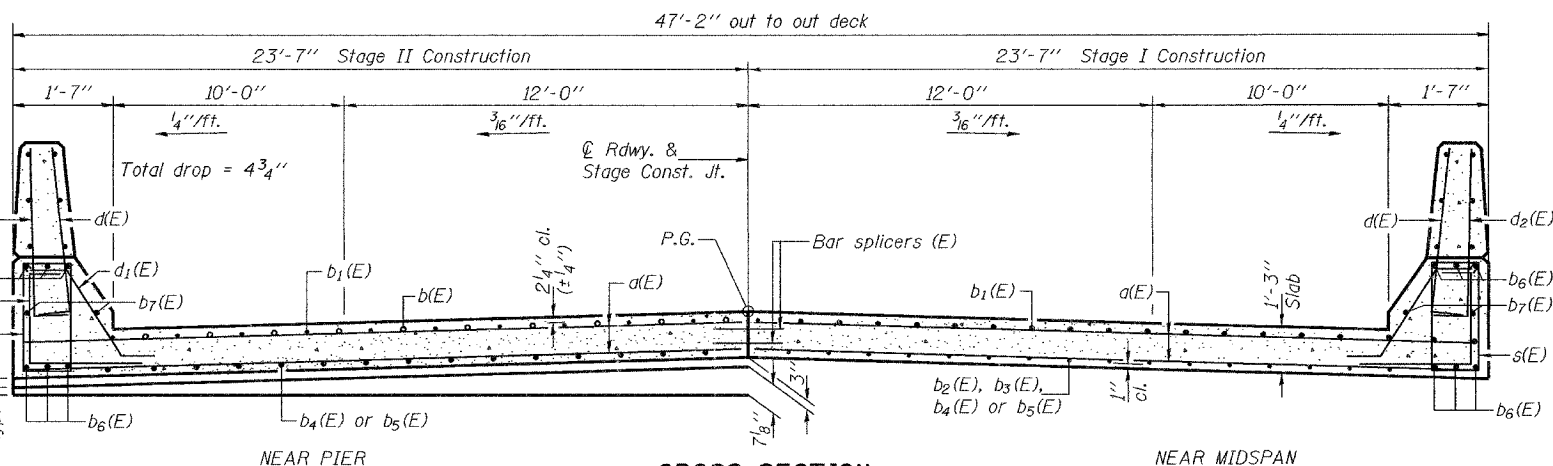


INSIDE ELEVATION OF PARAPET  
(Looking North)

Notes:  
See sheet 1 of 11 for floor drain spacing.  
Space reinforcement bars to clear drains.  
See sheet 10 of 11 for bar splicer details.  
See sheet 4 of 11 for location of Sections A-A and B-B.  
The exterior surfaces of the floor drains shall be coated or pigmented by the manufacturer with a color that matches the color of the concrete.  
Fiberglass pipe shall conform to ASTM D 2996, with short-time rupture strength hoop tensile stress of 30,000 psi minimum.  
The Contractor shall make allowance for the deflection of forms, shrinkage and settlement of falsework, in addition to allowance for dead load deflection. Forms for deck slab shall be removed prior to placement of bridge approach pavement.



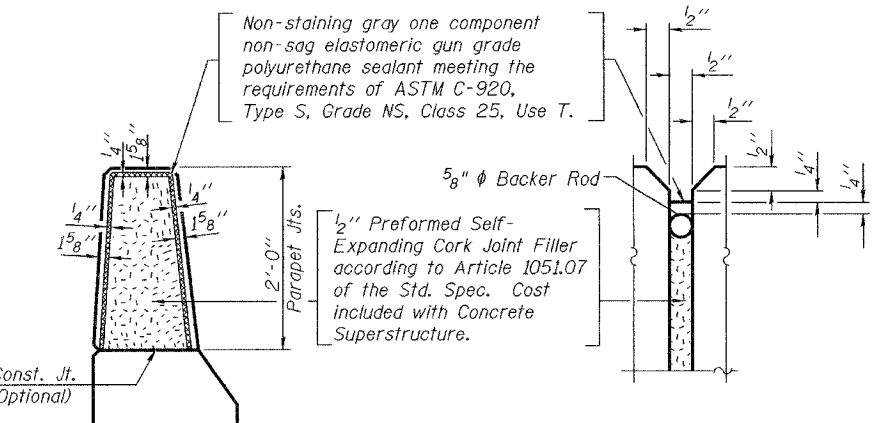
SECTION THRU PARAPET



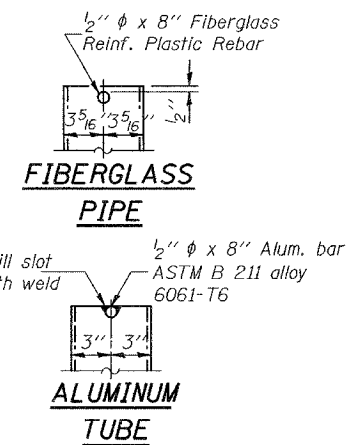
CROSS SECTION  
(Looking East)

SUPERSTRUCTURE  
BILL OF MATERIAL

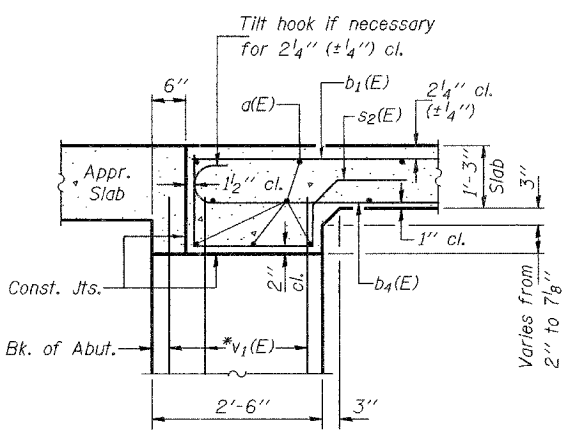
Bar	No.	Size	Length	Shape	
d(E)	244	#5	23'-4"	—	
b(E)	80	#7	12'-6"	—	
b1(E)	84	#7	34'-2"	—	
b2(E)	72	#7	17'-0"	—	
b3(E)	36	#7	18'-6"	—	
b4(E)	76	#7	21'-6"	—	
b5(E)	38	#7	26'-6"	—	
b6(E)	36	#8	25'-0"	—	
b7(E)	12	#5	23'-5"	—	
d1(E)	146	#5	3'-0"	┘	
d2(E)	146	#4	3'-0"	┘	
d3(E)	146	#4	3'-3"	┘	
d4(E)	12	#5	2'-2"	┘	
e(E)	48	#4	9'-10"	—	
e1(E)	24	#4	12'-5"	—	
s(E)	134	#4	6'-1"	□	
s1(E)	96	#5	6'-2"	┘	
s2(E)	96	#5	5'-0"	┘	
Reinforcement Bars, Epoxy Coated				Lbs.	29410
Concrete Superstructure				Cu. Yds.	169.8



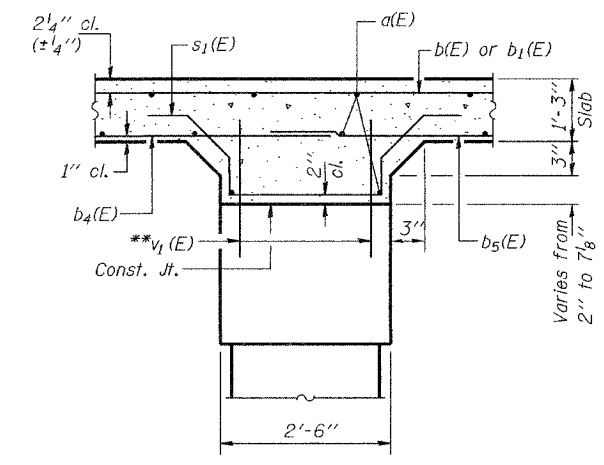
PARAPET JOINT DETAILS



TOP PLAN  
(Showing Aluminum Tube)



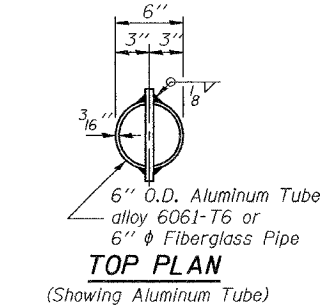
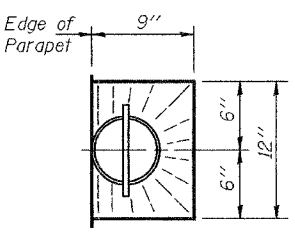
SECTION A-A



SECTION B-B

DESIGNED	R.L.T.
CHECKED	J.P.A. & T.R.B.
DRAWN	BECKY M. LEACH
CHECKED	R.L.T. & G.R.A.

EXAMINED	November 22, 2006
PASSED	Thomas J. Domagalaki ENGINEER OF BRIDGE DESIGN
	Ralph E. Anderson ENGINEER OF BRIDGES AND STRUCTURES



SUPERSTRUCTURE DETAILS  
F.A.U. ROUTE 9079 - SECTION 65BR  
MADISON COUNTY  
STATION 388+43.96  
STRUCTURE NO. 060-0236

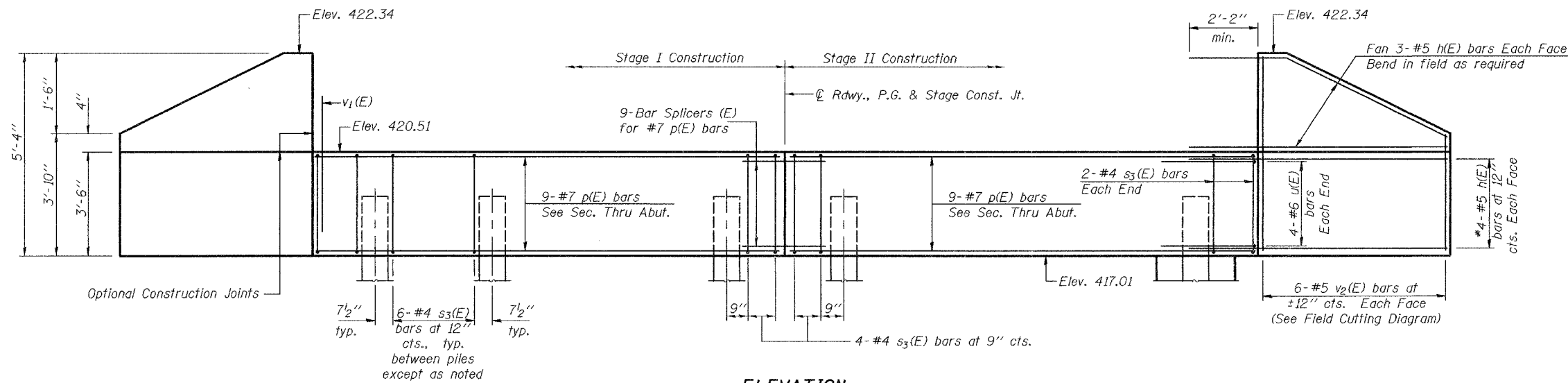
STATE OF ILLINOIS  
DEPARTMENT OF TRANSPORTATION

ROUTE NO.	SECTION	COUNTY	STA.	SHEET	SHEET NO. 6 11 SHEETS
F.A.U. 9079	65BR	MADISON	46	23	
FED. ROAD DIST. NO. 7	ILLINOIS	FED. AID PROJECT			

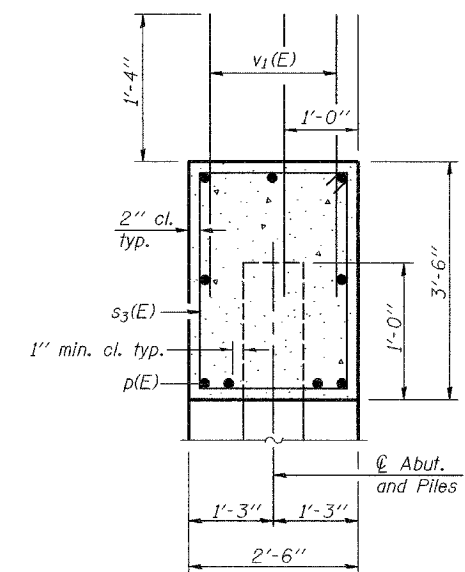
Contract 76136

Notes: For bar splicer details see sheet 10 of 11.

Excavation behind existing abutment walls shall be performed to balance front and back soil pressure before removing the existing superstructure. The Contractor shall sawcut the upper portion of the existing abutment at the stage removal line before Stage I removal to ensure the remaining portion will not be prematurely damaged.



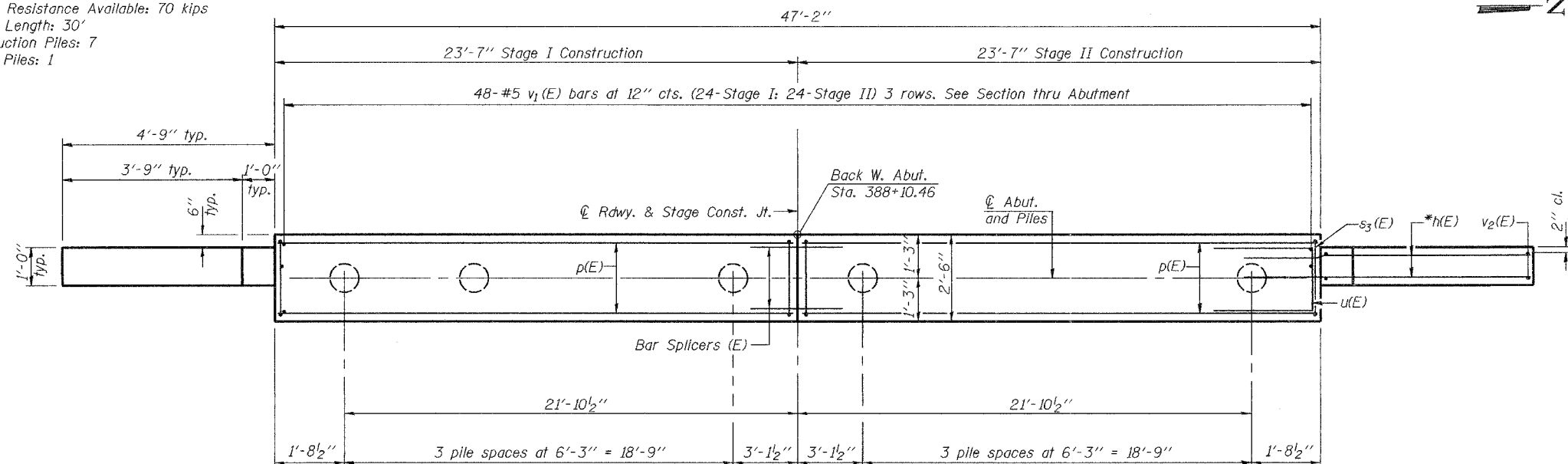
**ELEVATION**  
(Looking West)



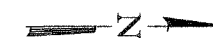
**SEC. THRU ABUT.**

**PILE DATA**

Pile Type and Size: Metal Shell - 12" dia. x 0.179" walls  
Nominal Required Bearing: 210 kips  
Allowable Resistance Available: 70 kips  
Est. Pile Length: 30'  
No. Production Piles: 7  
No. Test Piles: 1



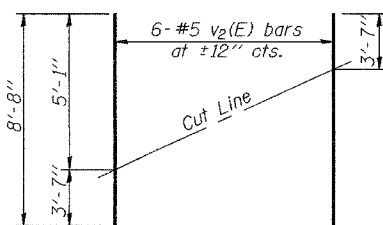
**PLAN**



\*If h(E) bars interfere with metal shells, cut h(E) bars in field to fit.

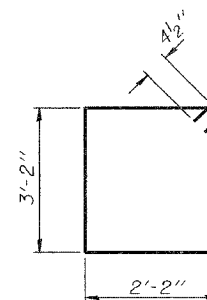
**BILL OF MATERIAL**

Bar	No.	Size	Length	Shape	
h(E)	28	#5	7'-3"	—	
p(E)	18	#7	23'-4"	—	
s3(E)	48	#4	11'-5"	□	
u(E)	8	#6	8'-1"	—	
v1(E)	144	#5	3'-6"	—	
v2(E)	12	#5	8'-8"	—	
Concrete Structures				Cu. Yd.	17.0
Reinforcement Bars, Epoxy Coated				Pound	2170
Structure Excavation				Cu. Yd.	80
Furnishing Metal Pile Shells 12" φ				Foot	210
Driving Piles				Foot	210
Test Piles Metal Shells				Each	1

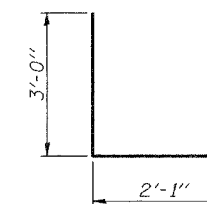


**FIELD CUTTING DIAGRAM**

Order v2(E) full length. Cut as shown and use remainder of bars in opposite face.



**BAR s2(E)**



**BAR u(E)**

DESIGNED	R.L.T.
CHECKED	J.P.A. & T.R.B.
DRAWN	BECKY M. LEACH
CHECKED	R.L.T. & G.R.A.

November 22, 2006  
EXAMINED *Thomas J. Damagala*  
PASSED *Ralph E. Anderson*

**WEST ABUTMENT**  
F.A.U. ROUTE 9079 - SECTION 65BR  
MADISON COUNTY  
STATION 388+43.96  
STRUCTURE NO. 060-0236



STATE OF ILLINOIS  
DEPARTMENT OF TRANSPORTATION

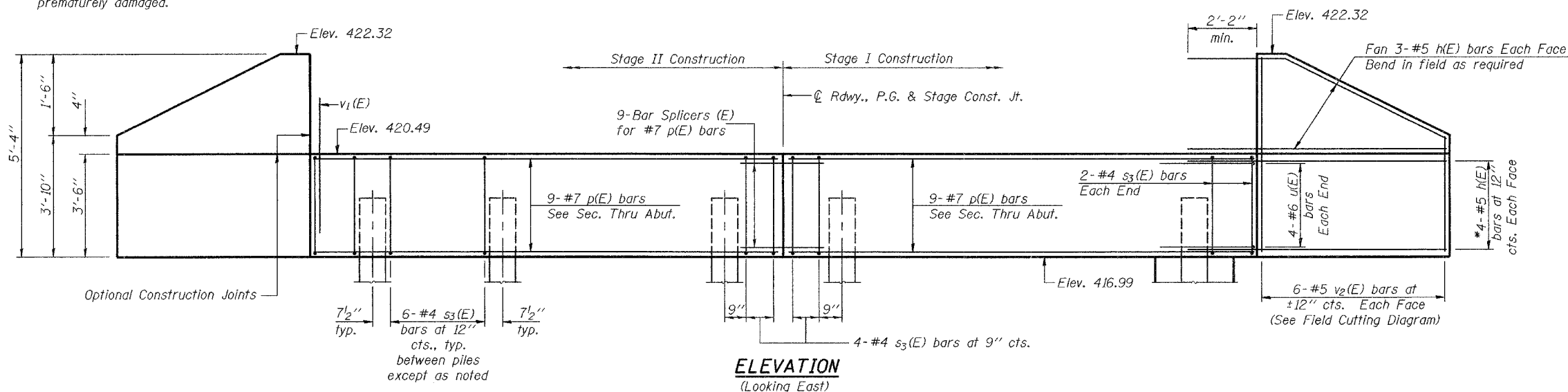
ROUTE NO.	SECTION	COUNTY	TOTAL SHEETS	SHEET NO.
F.A.U. 9079	65BR	MADISON	46	24
FED. ROAD DIST. NO. 7	ILLINOIS	FED. AID PROJECT		

SHEET NO. 7  
11 SHEETS

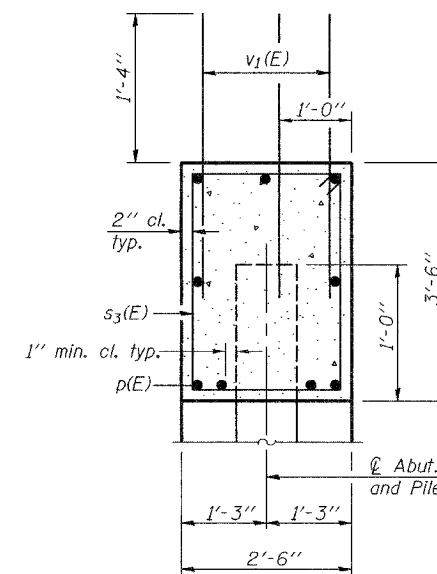
Contract 76136

Notes: For bar splicer details see sheet 10 of 11.

Excavation behind existing abutment walls shall be performed to balance front and back soil pressure before removing the existing superstructure. The Contractor shall sawcut the upper portion of the existing abutment at the stage removal line before Stage I removal to ensure the remaining portion will not be prematurely damaged.



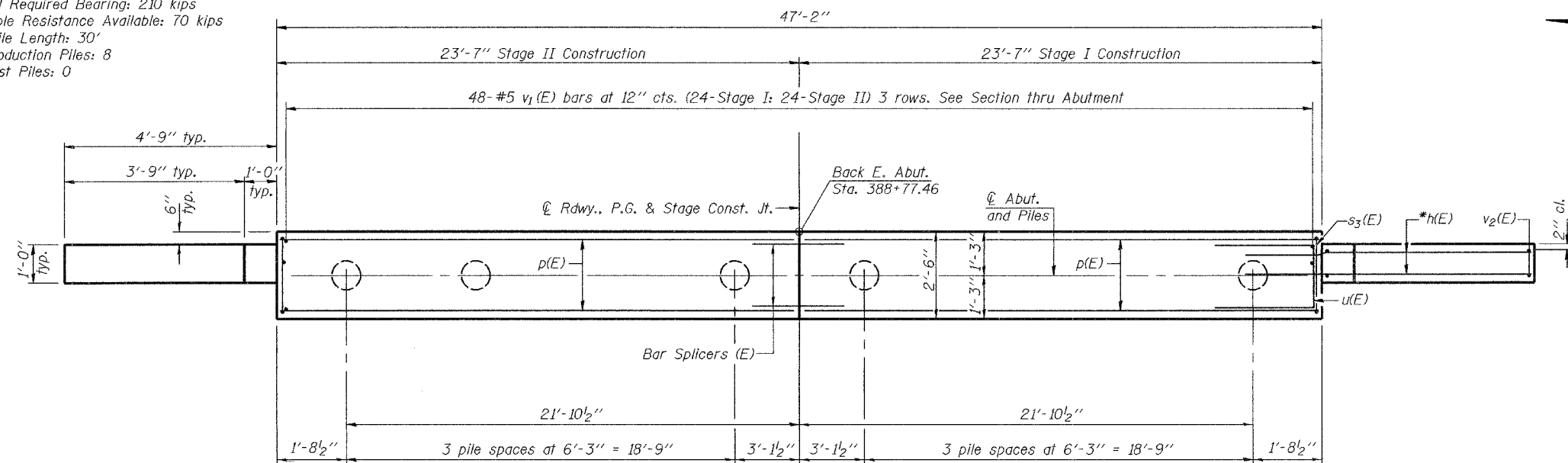
**ELEVATION**  
(Looking East)



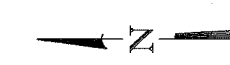
**SEC. THRU ABUT.**

**PILE DATA**

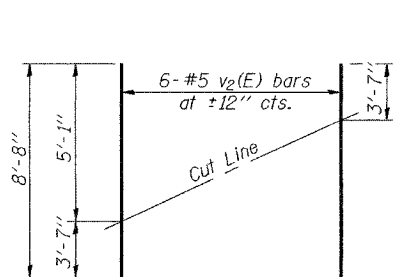
Pile Type and Size: Metal Shell - 12" dia. x 0.179" walls  
Nominal Required Bearing: 210 kips  
Allowable Resistance Available: 70 kips  
Est. Pile Length: 30'  
No. Production Piles: 8  
No. Test Piles: 0



**PLAN**

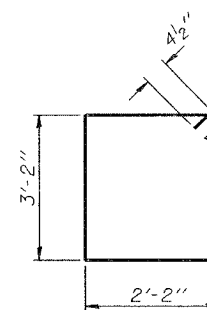


\*If h(E) bars interfere with metal shells, cut h(E) bars in field to fit.

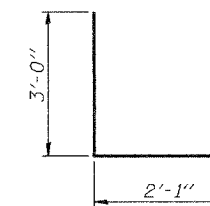


**FIELD CUTTING DIAGRAM**

Order v2(E) full length. Cut as shown and use remainder of bars in opposite face.



**BAR s2(E)**



**BAR u(E)**

**BILL OF MATERIAL**

Bar	No.	Size	Length	Shape
h(E)	28	#5	7'-3"	—
p(E)	18	#7	23'-4"	—
s3(E)	48	#4	11'-5"	□
u(E)	8	#6	8'-1"	□
v1(E)	144	#5	3'-6"	—
v2(E)	12	#5	8'-8"	—
Concrete Structures			Cu. Yd.	17.0
Reinforcement Bars, Epoxy Coated			Pound	2170
Structure Excavation			Cu. Yd.	80
Furnishing Metal Pile Shells 12" φ			Foot	240
Driving Piles			Foot	240

DESIGNED	R.L.T.
CHECKED	J.P.A. & T.R.B.
DRAWN	BECKY M. LEACH
CHECKED	R.L.T. & G.R.A.

November 22, 2006  
EXAMINED *Thomas Damagala*  
PASSED *Ralph E. Anderson*

**EAST ABUTMENT**  
**F.A.U. ROUTE 9079 - SECTION 65BR**  
**MADISON COUNTY**  
**STATION 388+43.96**  
**STRUCTURE NO. 060-0236**

STATE OF ILLINOIS  
DEPARTMENT OF TRANSPORTATION

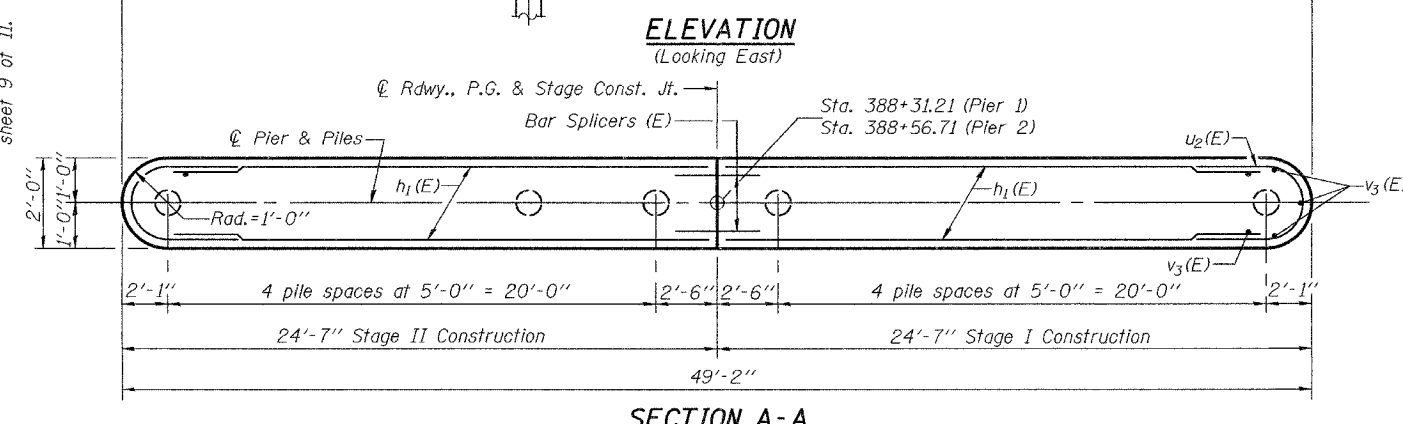
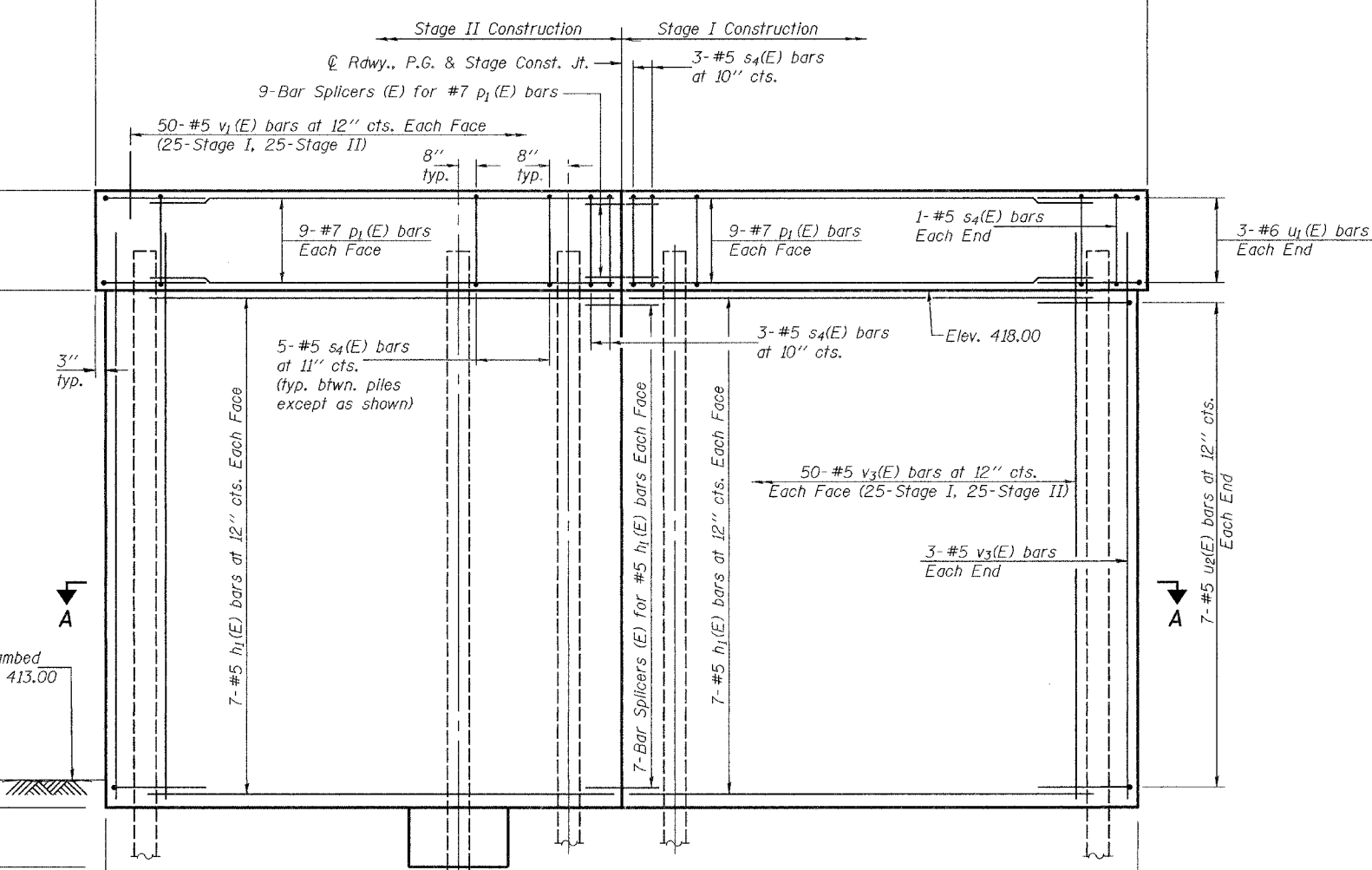
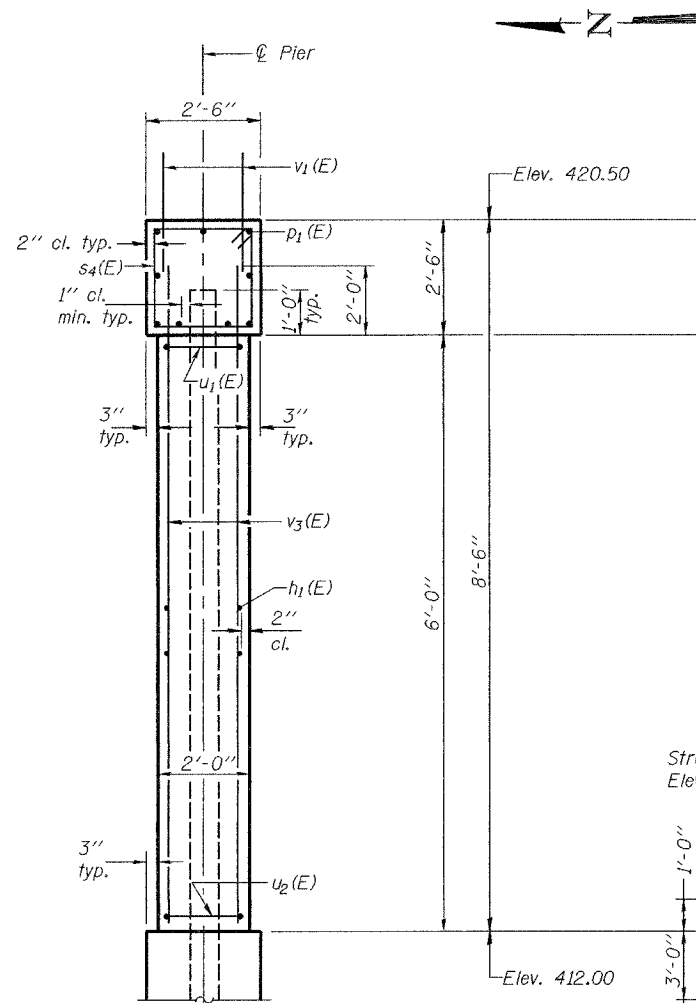
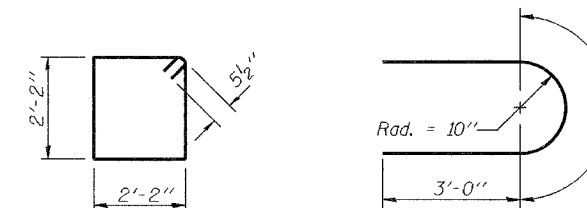
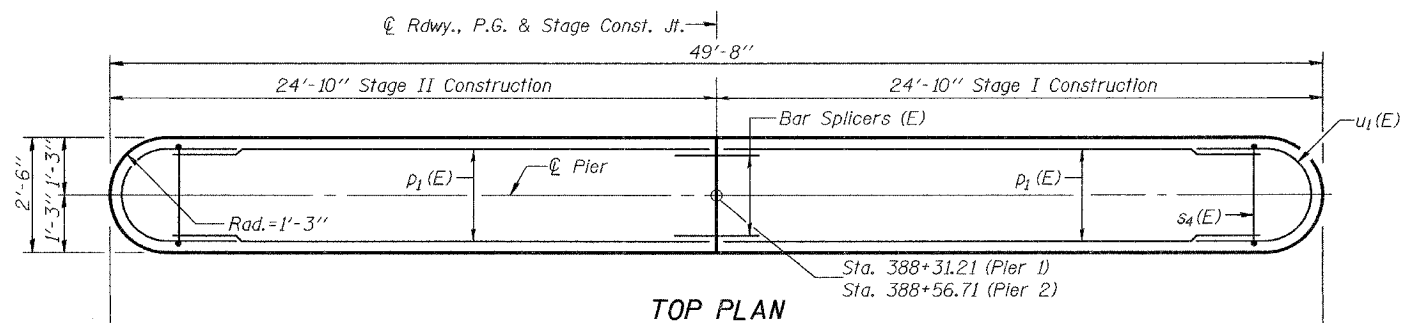
ROUTE NO.	SECTION	COUNTY	DATE	SHEET	SHEET NO.
F.A.U. 9079	65BR	MADISON	4/06	25	11 SHEETS
FED. ROAD DIST. NO. 7	ILLINOIS	FED. AID PROJECT-			

Contract 76136

Note: For bar splicer details, see sheet 10 of 11.

**PILE DATA**

Pile Type and Size: Metal Shell - 12" dia. x 0.179" walls  
Nominal Required Bearing: 240 kips  
Allowable Resistance Available: 80 kips  
Est. Pile Length: 36'  
No. Production Piles: 10 (Pier 1), 9 (Pier 2)  
No. Test Piles: 0 (Pier 1), 1 (Pier 2)



**BILL OF MATERIAL - TWO PIERS**

Bar	No.	Size	Length	Shape
h1(E)	56	#5	23'-5"	—
p1(E)	36	#7	23'-5"	—
s4(E)	96	#5	9'-7"	□
u1(E)	12	#6	9'-5"	U
u2(E)	28	#5	8'-8"	U
v1(E)	200	#5	3'-6"	—
v3(E)	212	#5	7'-10"	—
Concrete Structures			Cu. Yd.	66.0
Reinforcement Bars, Epoxy Coated			Pound	6940
Structure Excavation			Cu. Yd.	24
Furnishing Metal Pile Shells 12" φ			Foot	684
Driving Piles			Foot	684
Underwater Structure Excavation Protection, Location 1			Each	1
Underwater Structure Excavation Protection, Location 2			Each	1
Test Pile Metal Shells			Each	1

DESIGNED	R.L.T.
CHECKED	J.P.A. & T.R.B.
DRAWN	BECKY M. LEACH
CHECKED	R.L.T. & G.R.A.

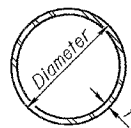
November 22, 2006  
EXAMINED *Thomas J. Damagala*  
PASSED *Ralph E. Anderson*  
ENGINEER OF BRIDGES AND STRUCTURES

**PIERS**  
F.A.U. ROUTE 9079 - SECTION 65BR  
MADISON COUNTY  
STATION 388+43.96  
STRUCTURE NO. 060-0236

STATE OF ILLINOIS  
DEPARTMENT OF TRANSPORTATION

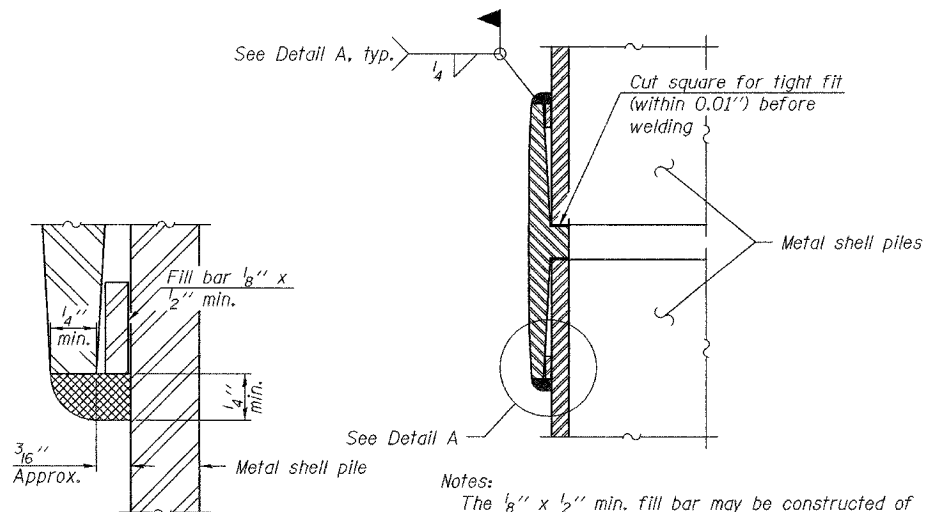
ROUTE NO.	SECTION	COUNTY	TOTAL SHEETS	SHEET NO.	SHEET NO. 9 11 SHEETS
F.A.U. 9079	65BR	MADISON	46	26	
FED. ROAD DIST. NO. 7	BLINDS	FED. AID PROJECT-			

Contract 76136



METAL SHELL PILE TABLE

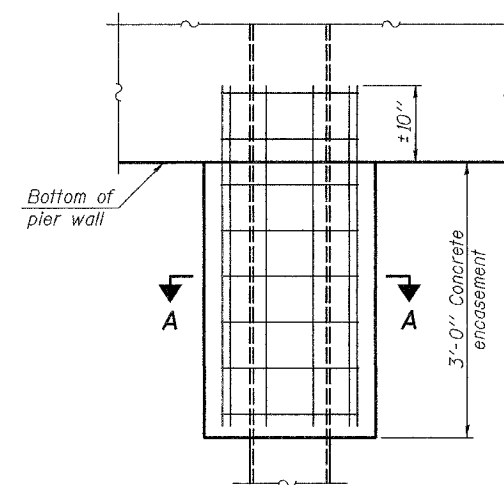
Designation	Wall thickness t	Weight per foot (Lbs./ft.)	Inside volume (yd. <sup>3</sup> /ft.)	Encasement diameter A
PP12	0.179"	22.60	0.0274	30"
PP12	0.250"	31.37	0.0267	30"
PP14	0.250"	36.71	0.0368	30"
PP14	0.312"	45.61	0.0361	30"



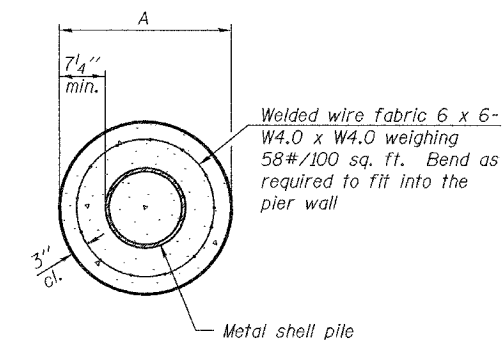
Notes:  
The 1/8" x 1/2" min. fill bar may be constructed of 2 bars with a 1/8" max. gap between them.  
Pile segments shall be driven to solid contact with splicer before welding.

DETAIL A

WELDED COMMERCIAL SPLICE



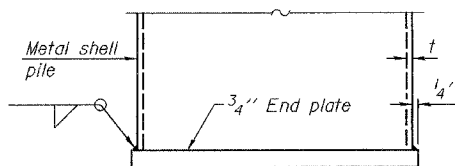
ELEVATION



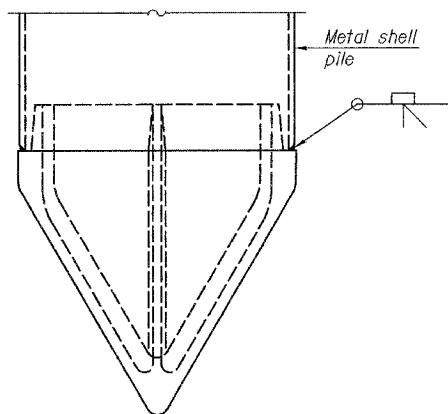
SECTION A-A

Notes:  
See Metal Shell Pile Table for dimension "A".  
Forms for encasement may be omitted when soil conditions permit.

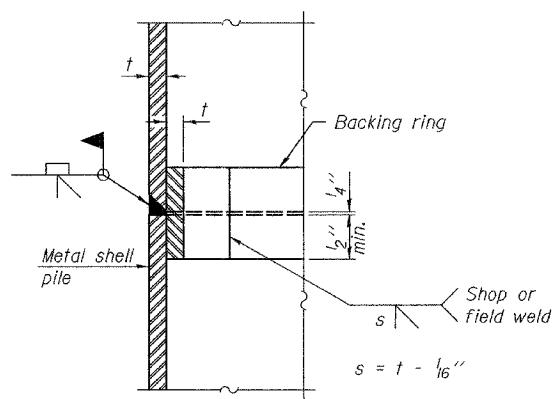
CONCRETE ENCASEMENT AT PIERS



END PLATE ATTACHMENT

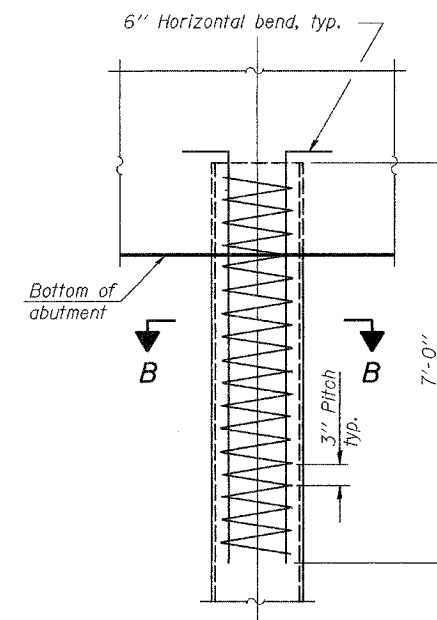


METAL SHELL PILE SHOE ATTACHMENT

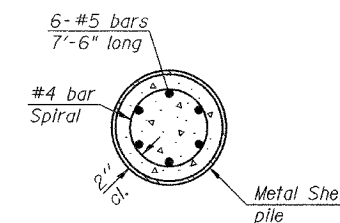


COMPLETE PENETRATION WELD SPLICE

Backing ring made from pile shell. Remove segment to allow reducing circumference and vertically rejoin with partial joint penetration weld.



ELEVATION



SECTION B-B

METAL SHELL REINFORCEMENT AT ABUTMENTS

DESIGNED	R.L.T.
CHECKED	J.P.A. & T.R.B.
DRAWN	BECKY M. LEACH
CHECKED	R.L.T. & G.R.A.

November 22, 2006
EXAMINED <i>Thomas J. Damgalab</i>
PASSED <i>Ralph E. Anderson</i>

F-MS 11-1-06

Note:  
The metal shell piles shall be according to ASTM A 252 Grade 3.

PILE DETAILS  
F.A.U. ROUTE 9079 - SECTION 65BR  
MADISON COUNTY  
STATION 388+43.96  
STRUCTURE NO. 060-0236

STATE OF ILLINOIS  
DEPARTMENT OF TRANSPORTATION

ROUTE NO.	SECTION	COUNTY	SHEETS	SHEET	SHEET NO.
F.A.U. 9079	65BR	MADISON	40	27	10
FED. ROAD DIST. NO. 7	ILLINOIS	FED. AID PROJECT			

Contract 76136

**NOTES**

Bar splicer assemblies shall be of an approved type and shall develop in tension at least 125 percent of the yield strength of the lapped reinforcement bars.

Splicer rods shall be of minimum 60 ksi yield strength, threaded or coiled full length.

All reinforcement bars shall be lapped and tied to the splicer rods or dowel bars.

Bar splicer assemblies shall be epoxy coated according to the requirements for reinforcement bars.

Other systems of similar design may be submitted to the Engineer for approval. Approval shall be based on certified test results from an approved testing laboratory that the proposed bar splicer assembly satisfies the following requirements:

- ① Minimum Capacity (Tension in kips) =  $1.25 \times f_y \times A_t$
- ② Minimum \*Pull-out Strength (Tension in kips) =  $1.25 \times f_{s_{allow}} \times A_t$

Where  $f_y$  = Yield strength of lapped reinforcement bars in ksi.

$f_{s_{allow}}$  = Allowable tensile stress in lapped reinforcement bars in ksi (Service Load)

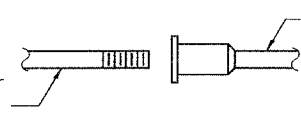
$A_t$  = Tensile stress area of lapped reinforcement bars.

\* = 28 day concrete

BAR SPLICER ASSEMBLIES			
Bar Size to be Spliced	Splicer Rod or Dowel Bar Length	Strength Requirements	
		Min. Capacity kips - tension	Min. Pull-Out Strength kips - tension
#4	1'-8"	14.7	5.9
#5	2'-0"	23.0	9.2
#6	2'-7"	33.1	13.3
#7	3'-5"	45.1	18.0
#8	4'-6"	58.9	23.6
#9	5'-9"	75.0	30.0
#10	7'-3"	95.0	38.0
#11	9'-0"	117.4	46.8

Bar splicer assemblies shall be according to Section 508 of the Standard Specifications, except as noted. The furnishing and installation of bar splicer assemblies will be measured and paid for at the contract unit price each for "BAR SPLICERS."

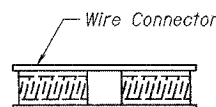
The diameter of this part is equal or larger than the diameter of bar spliced.



ROLLED THREAD DOWEL BAR



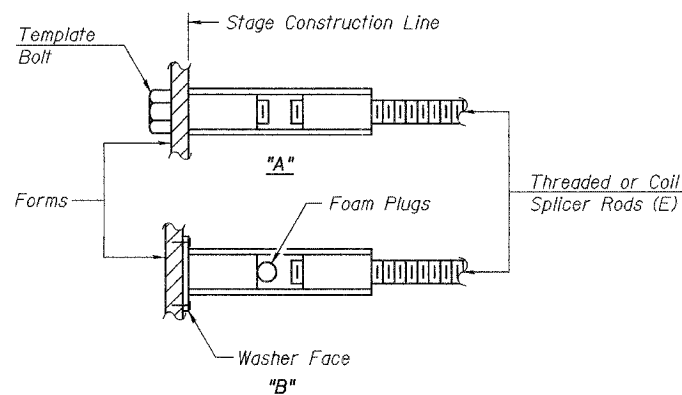
\*\* ONE PIECE



WELDED SECTIONS

**BAR SPLICER ASSEMBLY ALTERNATIVES**

\*\* Heavy Hex Nuts conforming to ASTM A 563, Grade C, D or DH may be used.

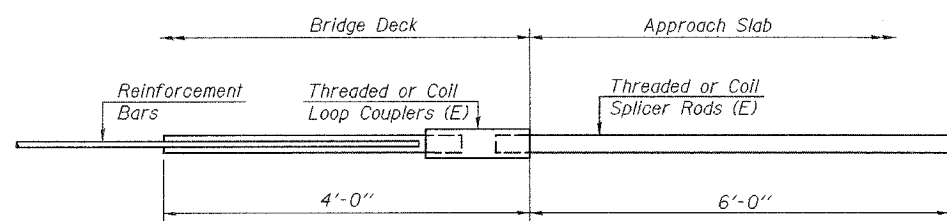


**INSTALLATION AND SETTING METHODS**

"A": Set bar splicer assembly by means of a template bolt.

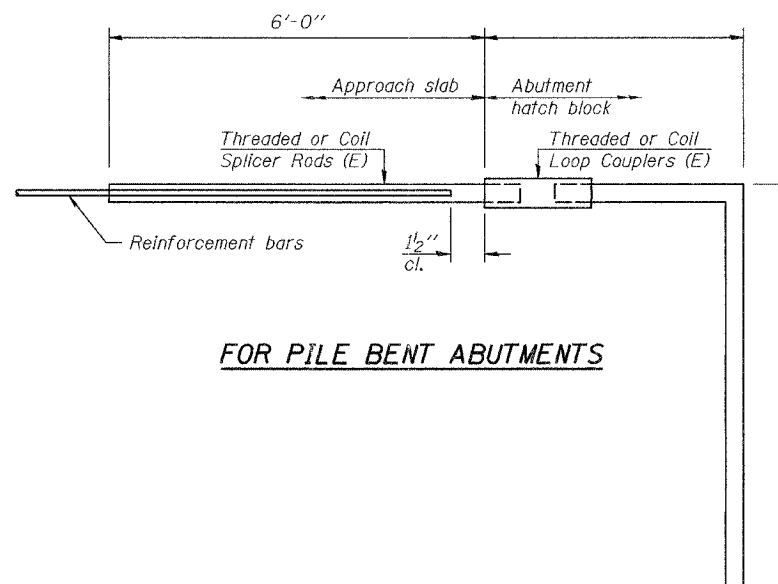
"B": Set bar splicer assembly by nailing to wood forms or cementing to steel forms.

(E) : Indicates epoxy coating.



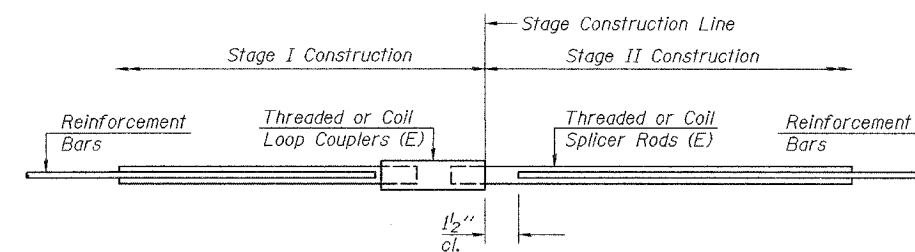
**FOR INTEGRAL OR SEMI-INTEGRAL ABUTMENTS**

Bar Splicer for #5 bar
Min. Capacity = 23.0 kips - tension
Min. Pull-out Strength = 9.2 kips - tension
No. Required =



**FOR PILE BENT ABUTMENTS**

Bar Splicer for #5 bar
Min. Capacity = 23.0 kips - tension
Min. Pull-out Strength = 9.2 kips - tension
No. Required =



**STANDARD**

Bar Size	No. Assemblies Required	Location
#5	122	Deck
#7	9	W. Abut.
#7	9	E. Abut.
#7	18	Pier Caps
#5	28	Pier Walls

**BAR SPLICER ASSEMBLY DETAILS**

F.A.U. ROUTE 9079 - SEC. 65BR

MADISON COUNTY

STATION 388+43.96

STRUCTURE NO. 060-0236

DESIGNED	R.L.T.
CHECKED	J.P.A. & T.R.B.
DRAWN	BECKY M. LEACH
CHECKED	R.L.T. & G.R.A.

EXAMINED	November 22, 2008	Thomas J. Damagala
PASSED		Ralph E. Anderson

BSD-1

10-22-04

STATE OF ILLINOIS  
DEPARTMENT OF TRANSPORTATION

ROUTE NO.	SECTION	COUNTY	TOTAL SHEETS	SHEET NO.
F.A.U. 9079	65BR	MADISON	46	28
FED. ROAD DIST. NO. 7	ILLINOIS	FED. AID PROJECT		

Contract 76136

**Illinois Department of Transportation**  
Division of Highways  
SOIL BORING LOG

Page 1 of 3  
Date 1/10/01

ROUTE FAU 9079 DESCRIPTION Old Chain of Rocks Road over County Ditch LOGGED BY Larry Ford

SECTION 65BR LOCATION SE 14, SEC. 30, TWP. 4N, RNG. 8W, 3 PM

COUNTY Madison DRILLING METHOD Hollow Stem Auger HAMMER TYPE Automatic

STRUCT. NO. Ex. 060-0069 Prop. 060-0236 Station 388+43.96

BORING NO. #1 East Abut Station 388+76 Offset 28.00ft Lt. Ground Surface Elev. 421.9 ft

DEPTH (ft)	DRILLING METHOD	HAMMER TYPE	SOIL DESCRIPTION	UCS FAILURE MODE (B, S, P)	SPT (N)
0			Gray SILTY CLAY		
3					
5	0.9				
7	S/B	27			
6	2.1				
7	B	37			
2					
3	B	39			
2					
3	0.9				
4	S/B	42			
2					
4	1.1				
9	B	21			
408.9					
407.9					
4					
8	NC				
14					
15					
17					
19					
20					
21					
22					
23					
24					
25					
26					
27					
28					
29					
30					
31					
32					
33					
34					
35					
36					
37					
38					
39					
40					

The Unconfined Compressive Strength (UCS) Failure Mode is indicated by (B-Bulge, S-Shear, P-Penetrometer)  
The SPT (N value) is the sum of the last two blow values in each sampling zone (AASHTO T206)  
BBS, from 137 (Rev. 8-99)

**Illinois Department of Transportation**  
Division of Highways  
SOIL BORING LOG

Page 2 of 3  
Date 1/10/01

ROUTE FAU 9079 DESCRIPTION Old Chain of Rocks Road over County Ditch LOGGED BY Larry Ford

SECTION 65BR LOCATION SE 14, SEC. 30, TWP. 4N, RNG. 8W, 3 PM

COUNTY Madison DRILLING METHOD Hollow Stem Auger HAMMER TYPE Automatic

STRUCT. NO. Ex. 060-0069 Prop. 060-0236 Station 388+43.96

BORING NO. #1 East Abut Station 388+76 Offset 28.00ft Lt. Ground Surface Elev. 421.9 ft

DEPTH (ft)	DRILLING METHOD	HAMMER TYPE	SOIL DESCRIPTION	UCS FAILURE MODE (B, S, P)	SPT (N)
0			Gray Fine SAND (continued)		
8					
10					
7					
17	NC				
22					
25					
26					
27					
28					
29					
30					
31					
32					
33					
34					
35					
36					
37					
38					
39					
40					

The Unconfined Compressive Strength (UCS) Failure Mode is indicated by (B-Bulge, S-Shear, P-Penetrometer)  
The SPT (N value) is the sum of the last two blow values in each sampling zone (AASHTO T206)  
BBS, from 137 (Rev. 8-99)

**Illinois Department of Transportation**  
Division of Highways  
SOIL BORING LOG

Page 3 of 3  
Date 1/10/01

ROUTE FAU 9079 DESCRIPTION Old Chain of Rocks Road over County Ditch LOGGED BY Larry Ford

SECTION 65BR LOCATION SE 14, SEC. 30, TWP. 4N, RNG. 8W, 3 PM

COUNTY Madison DRILLING METHOD Hollow Stem Auger HAMMER TYPE Automatic

STRUCT. NO. Ex. 060-0069 Prop. 060-0236 Station 388+43.96

BORING NO. #1 East Abut Station 388+76 Offset 28.00ft Lt. Ground Surface Elev. 421.9 ft

DEPTH (ft)	DRILLING METHOD	HAMMER TYPE	SOIL DESCRIPTION	UCS FAILURE MODE (B, S, P)	SPT (N)
0			Gray Fine to Coarse SAND (continued)		
8					
10					
11					
12					
20	NC				
26					
318.9					
318.4					
320.9					
320.9					
20					
34	NC				
46					
100					

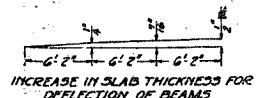
The Unconfined Compressive Strength (UCS) Failure Mode is indicated by (B-Bulge, S-Shear, P-Penetrometer)  
The SPT (N value) is the sum of the last two blow values in each sampling zone (AASHTO T206)  
BBS, from 137 (Rev. 8-99)

BORING LOGS  
F.A.U. ROUTE 9079 - SECTION 65BR  
MADISON COUNTY  
STATION 388+43.96  
STRUCTURE NO. 060-0236

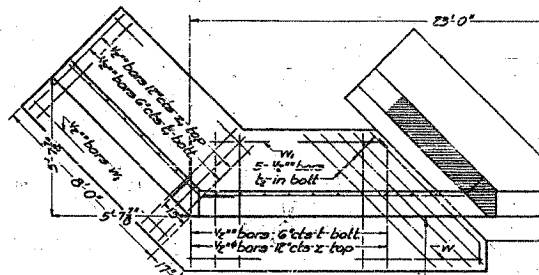
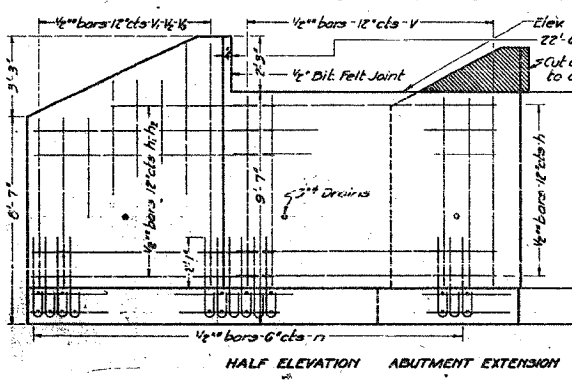
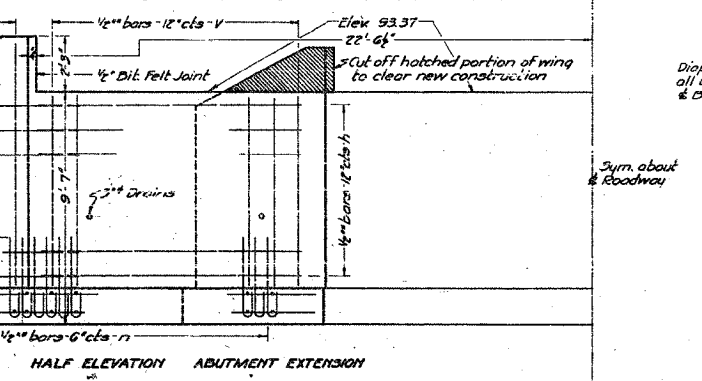
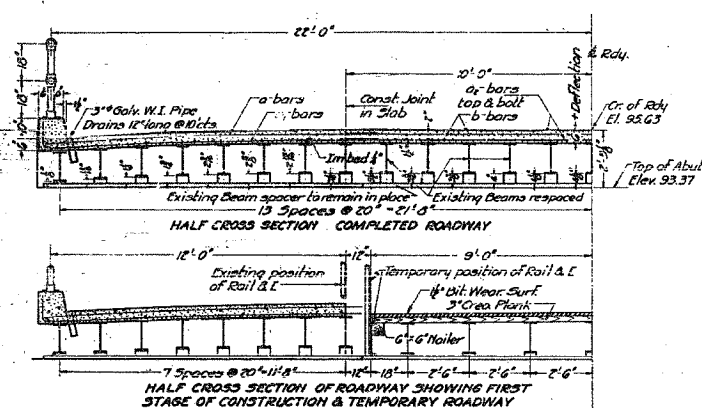
F.A.U. RTE.	SECTION	COUNTY	TOTAL SHEETS	SHEET NO.
9079	65BR	MADISON	46	29
STA.		TO STA.		
FED. ROAD DIST. NO.		ILLINOIS FED. AID PROJECT		

STATE OF ILLINOIS  
DEPARTMENT OF PUBLIC WORKS & BUILDINGS  
DIVISION OF HIGHWAYS

DESIGNED BY	CHECKED BY	DATE	BY	DATE



**ORDER OF CONSTRUCTION**  
Build Abutment Extensions  
Build Super Extensions & cure  
Floor. Traffic to be maintained over existing bridge  
Open Super Extensions to traffic and close Existing Bridge  
Respace existing beams, add new beams, diaphragms and R.C. Floor  
Class X Concrete shall be used through out  
Reinforcing steel to be wired securely in place before concrete is poured



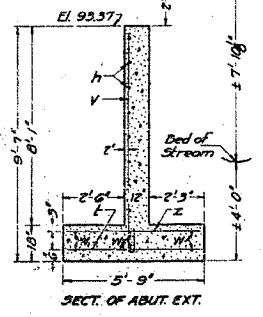
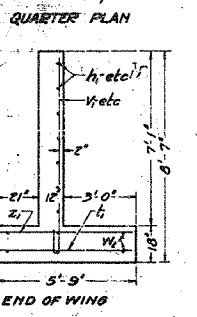
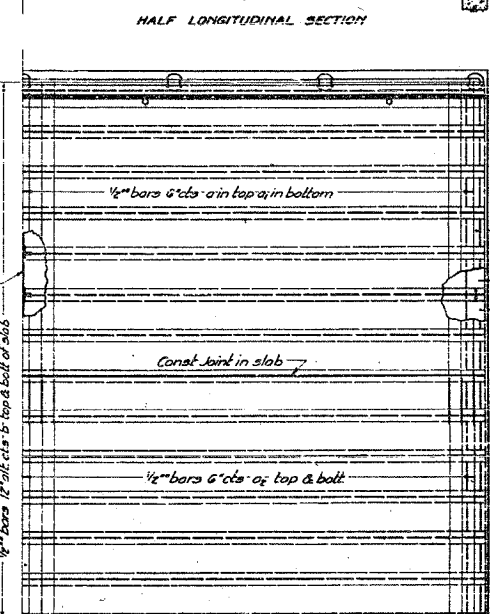
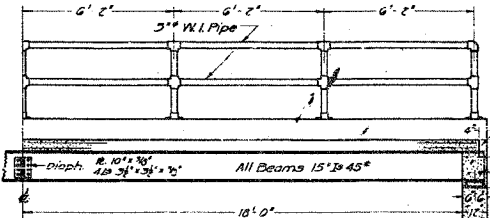
**BILL OF MATERIAL SUPERSTRUCTURE**

Bars	No.	Size	Length
a	150	1/2"	14'-3"
a'	150	1/2"	15'-3"
a''	150	1/2"	19'-9"
b	90	1/2"	19'-9"

Class X Concrete Cu. Yds. 38.6  
Reinforcing Steel Lbs. 7790  
Structural Steel Lbs. 37910  
3" W.I. Pipe Rail Comp. Lin. Ft. 74

**BILL OF MATERIAL SUBSTRUCTURE**

Bar	No.	Size	Length	Bar	No.	Size	Length	Bar	No.	Size	Length
V	44	1/2"	8'-0"	n	136	1/2"	4'-3"	u	20	1/2"	7'-6"
V'	12	1/2"	7'-0"	t	60	1/2"	5'-6"	w	8	1/2"	17'-0"
V''	12	1/2"	8'-0"	x	36	1/2"	5'-6"	y	32	1/2"	8'-0"
K	2	1/2"	10'-0"	z	64	1/2"	5'-6"	o	4	1/2"	12'-0"
h	32	1/2"	10'-6"	z'	32	1/2"	5'-6"				
h'	23	1/2"	9'-6"	Class X Concrete		Cu. Yds.	46.4				
h''	4	1/2"	7'-0"	Reinforcing Steel		Lbs.	7350				



COMPUTED	J.R. Graham
CHECKED	H.H. Davis
DRAWN	J.R.E.
CHECKED	H.H.D.
ASSEMBLED	
CHECKED	

EXAMINED	Aug 7 '31
PASSED	R. C. ...
APPROVED	... Chief Highway Engineer

**HALF PLAN**

35'-0" FT Abutments

EXTENSION  
S. C. I. - RT. 4 - SECT. 65-B  
MADISON COUNTY  
STA. 387-85

FOR INFORMATION ONLY

REVISIONS	
NAME	DATE

ILLINOIS DEPARTMENT OF TRANSPORTATION  
EXISTING STRUCTURE PLAN  
FAP ROUTE 9079  
SECTION 65BR  
MADISON COUNTY  
SN 060-0069 (E) 0236 (P)

PLOT DATE = 10/18/2806  
PLOT SCALE = 5/8" = 1'-0"  
REFERENCE = #REF#

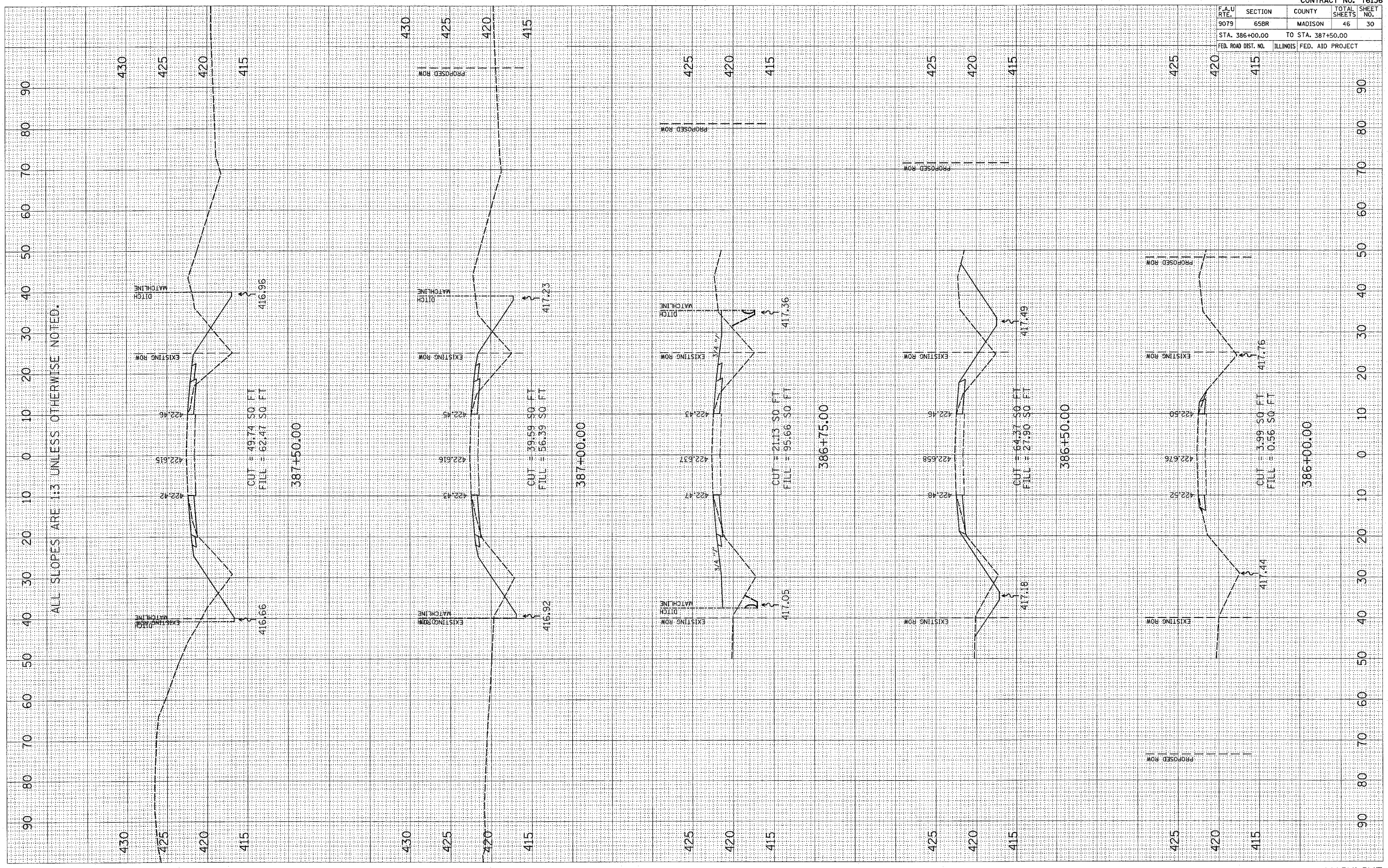
F.A.U. RTE.	SECTION	COUNTY	TOTAL SHEETS	SHEET NO.
9079	658R	MADISON	46	30
STA. 386+00.00 TO STA. 387+50.00				
FED. ROAD DIST. NO. ILLINOIS FED. AID PROJECT				

FINAL SURVEY	DATE
REVISIONS	BY
PLOTTED	
NOTE BOOK	
AREAS CHECKED	
NO.	

ORIGINAL SURVEY	DATE
REVISIONS	BY
PLOTTED	
NOTE BOOK	
AREAS CHECKED	
NO.	

PLOT DATE = DATE  
 FILE NAME = #FILE#  
 PLOT SCALE = #SCALE#  
 USER NAME = #USER#

ALL SLOPES ARE 1:3 UNLESS OTHERWISE NOTED.



PLOT DATE = #DATE#  
 FILE NAME = #FILE#  
 USER NAME = #USER#

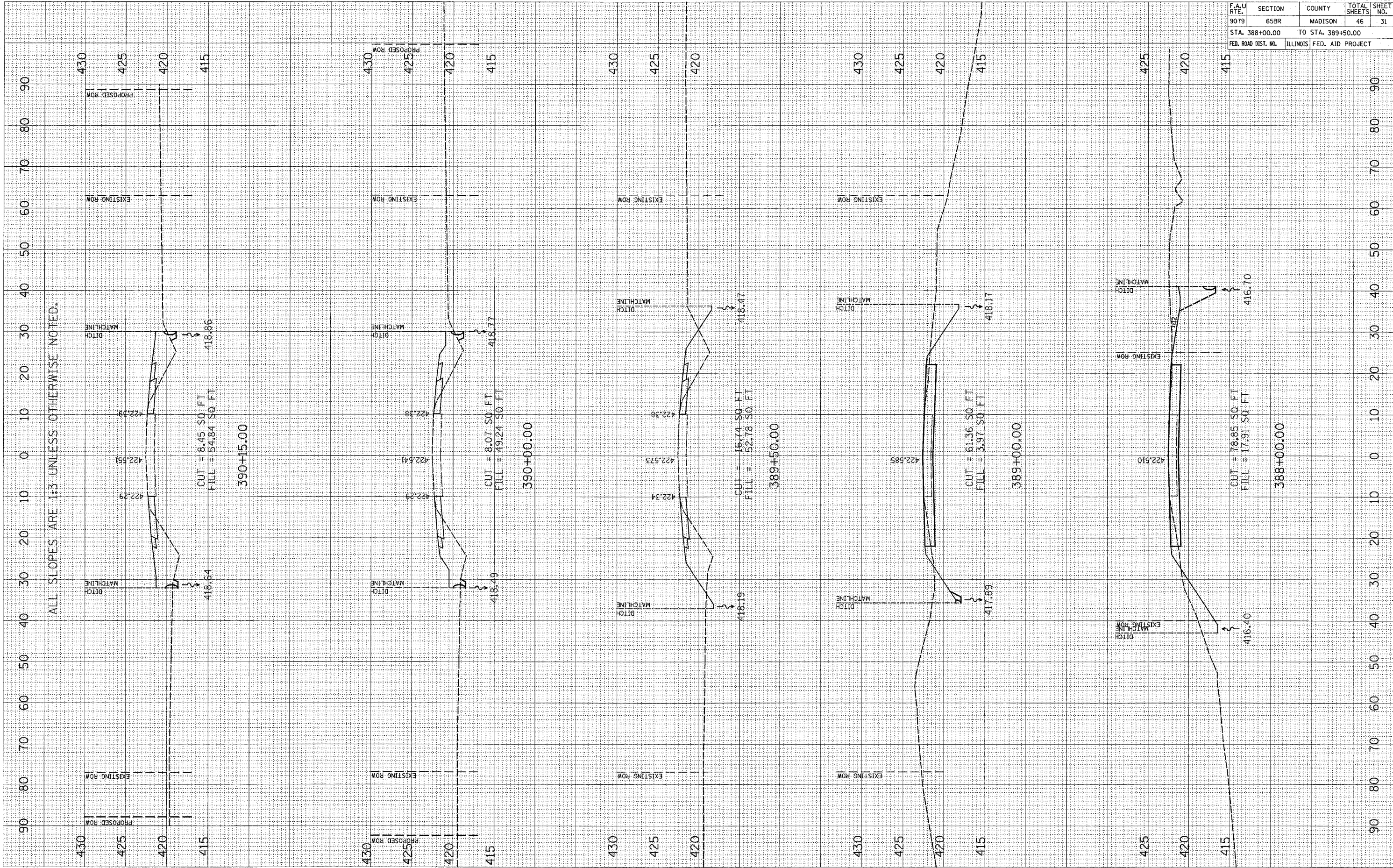
ORIGINAL SURVEY PLOTTED  
 NOTE BOOK NO. \_\_\_\_\_  
 AREAS CHECKED \_\_\_\_\_

FINAL SURVEY PLOTTED  
 NOTE BOOK NO. \_\_\_\_\_  
 AREAS CHECKED \_\_\_\_\_

BY \_\_\_\_\_

DATE \_\_\_\_\_

ALL SLOPES ARE 1:3 UNLESS OTHERWISE NOTED.



CONTRACT NO. 76136				
F.A.U. RTE.	SECTION	COUNTY	TOTAL SHEETS	SHEET NO.
9079	65BR	MADISON	46	31
STA. 388+00.00		TO STA. 389+50.00		
FED. ROAD DIST. NO.	ILLINOIS	FED. AID PROJECT		

MAINLINE

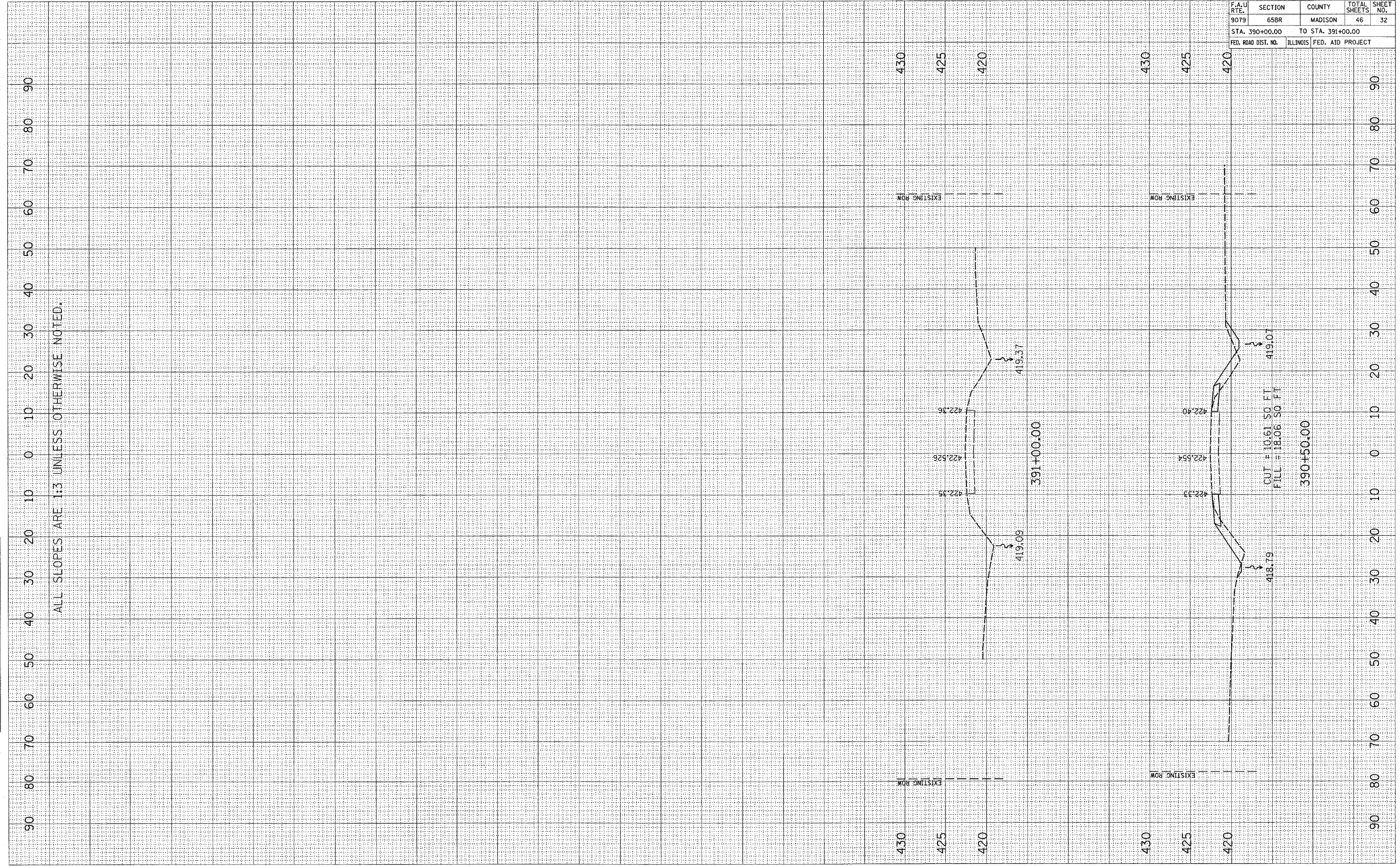


PLOT DATE = DATE  
 FILE NAME = FILE  
 PLOT SCALE = SCALE  
 USER NAME = USER

ORIGINAL SURVEY BY DATE  
 SURVEY NO. DATE  
 NOTE BOOK NO. DATE  
 AREAS CHECKED

FINAL SURVEY BY DATE  
 SURVEY NO. DATE  
 NOTE BOOK NO. DATE  
 AREAS CHECKED

ALL SLOPES ARE 1:3 UNLESS OTHERWISE NOTED.



CONTRACT NO. 76136				
F.A.U. RTE.	SECTION	COUNTY	TOTAL SHEETS	SHEET NO.
9079	65BR	MADISON	46	32
STA. 390+00.00		TO STA. 391+00.00		
FED. ROAD DIST. NO.	ILLINOIS	FED. AID PROJECT		

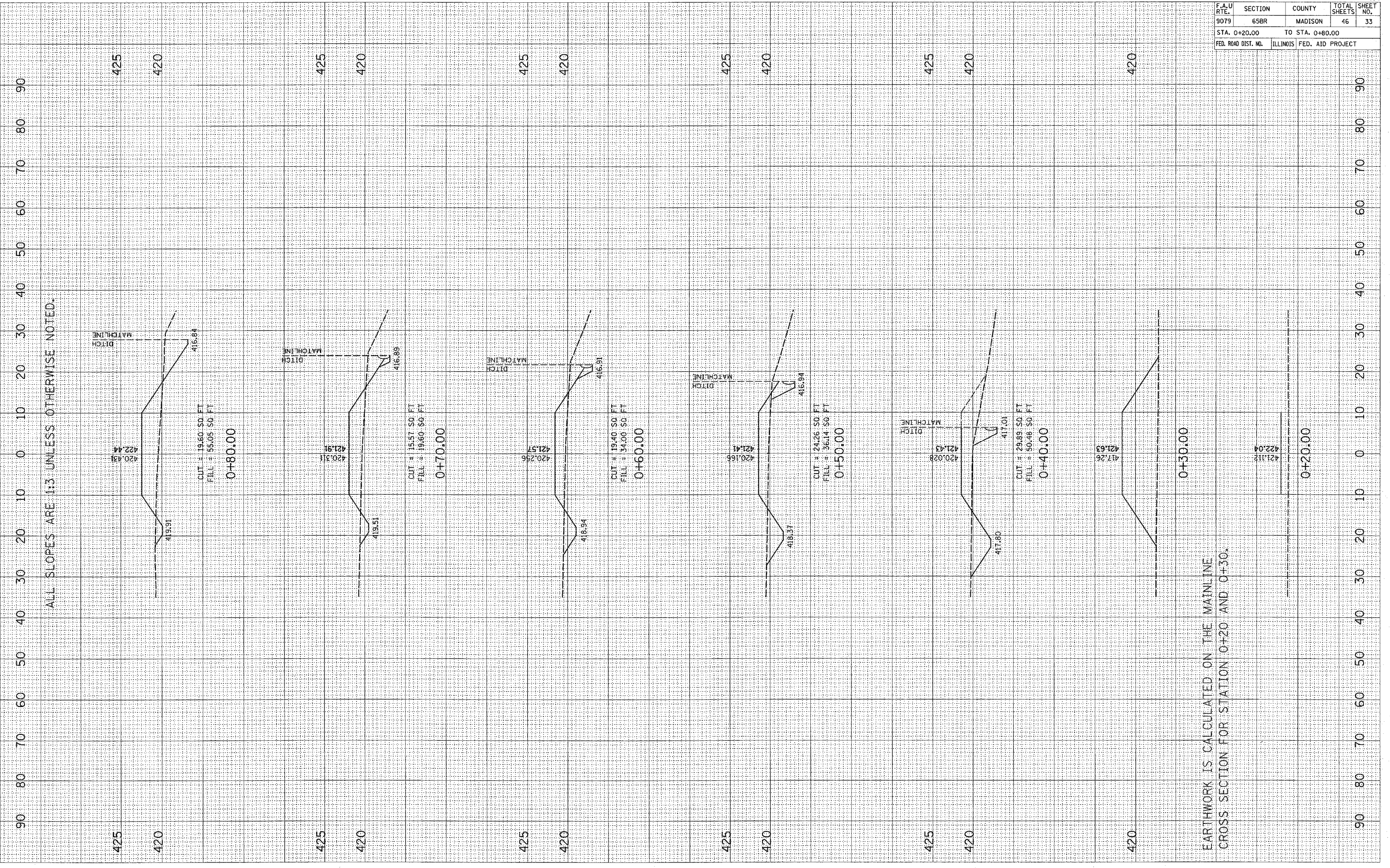
MAINLINE

F.A.U. RTE.	SECTION	COUNTY	TOTAL SHEETS	SHEET NO.
9079	65BR	MADISON	46	33
STA. 0+20.00		TO STA. 0+80.00		
FED. ROAD DIST. NO.	ILLINOIS	FED. AID PROJECT		

FINAL SURVEY	DATE
BY	
SURVEYED	
NOTE BOOK	
TEMPLATE	
AREAS	
AREAS CHECKED	

ORIGINAL SURVEY	DATE
BY	
SURVEYED	
NOTE BOOK	
TEMPLATE	
AREAS	
AREAS CHECKED	

PLOT DATE \* \* \* \* \*  
 FILE NAME \* \* \* \* \*  
 PLOT SCALE \* \* \* \* \*  
 USER NAME \* \* \* \* \*

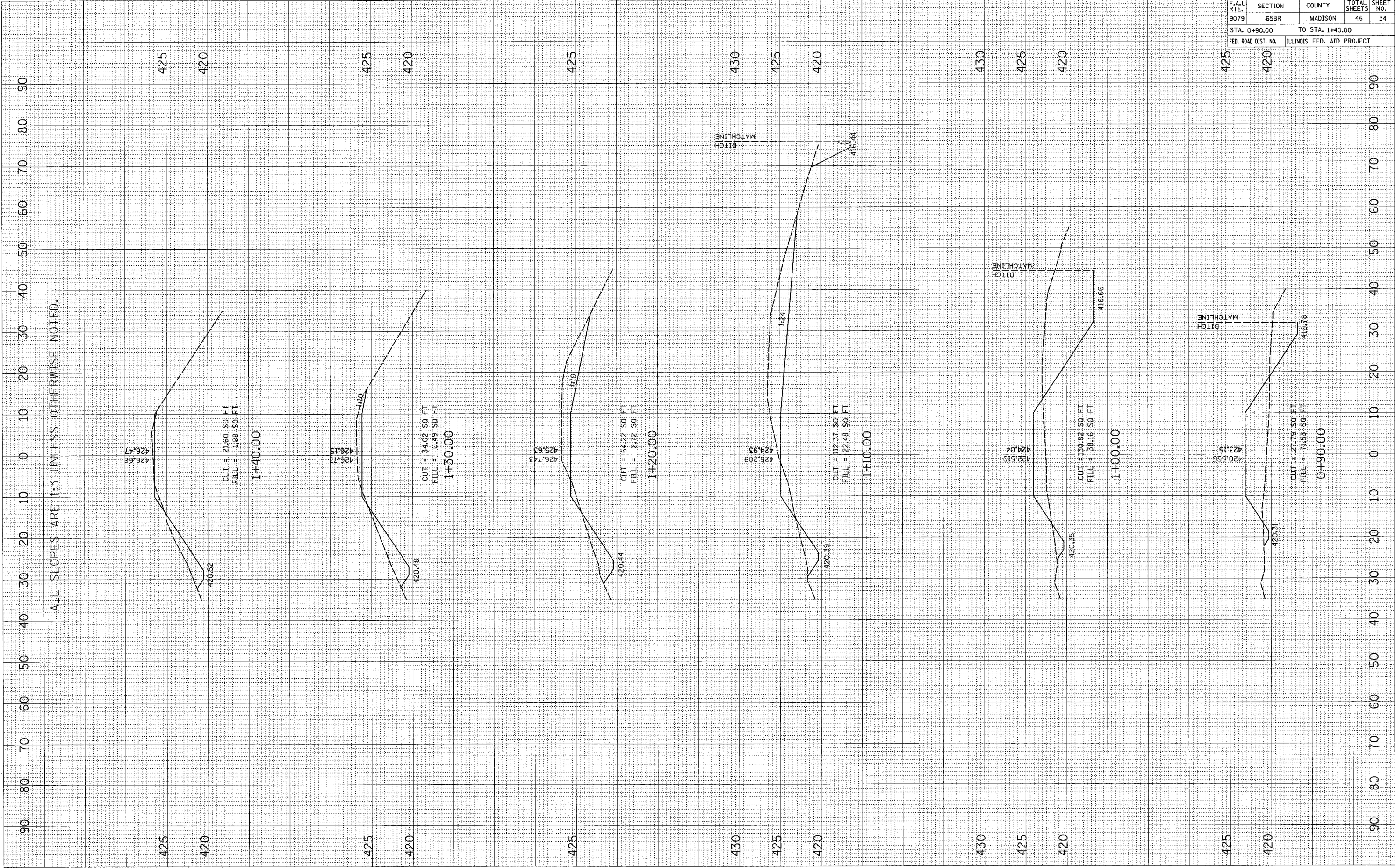


F.A.U. RTE.	SECTION	COUNTY	TOTAL SHEETS	SHEET NO.
9079	658R	MADISON	46	34
STA. 0+90.00		TO STA. 1+40.00		
FED. ROAD DIST. NO.	ILLINOIS	FED. AID PROJECT		

FINAL SURVEY PLOTTED DATE: \_\_\_\_\_ BY: \_\_\_\_\_  
 NOTE BOOK NO.: \_\_\_\_\_  
 AREAS CHECKED: \_\_\_\_\_

ORIGINAL SURVEY PLOTTED DATE: \_\_\_\_\_ BY: \_\_\_\_\_  
 NOTE BOOK NO.: \_\_\_\_\_  
 AREAS CHECKED: \_\_\_\_\_

PLOT DATE = DATE  
 PLOT SCALE = SCALES  
 USER NAME = USER



F.A.U. R.T.E.	SECTION	COUNTY	TOTAL SHEETS	SHEET NO.
9079	65BR	MADISON	46	35
STA. 1+50.00		TO STA. 1+50.00		
FED. ROAD DIST. NO.		ILLINOIS FED. AID PROJECT		

FINAL SURVEYED PLOTTED RE-PLATE AREAS CHECKED

BY \_\_\_\_\_ DATE \_\_\_\_\_

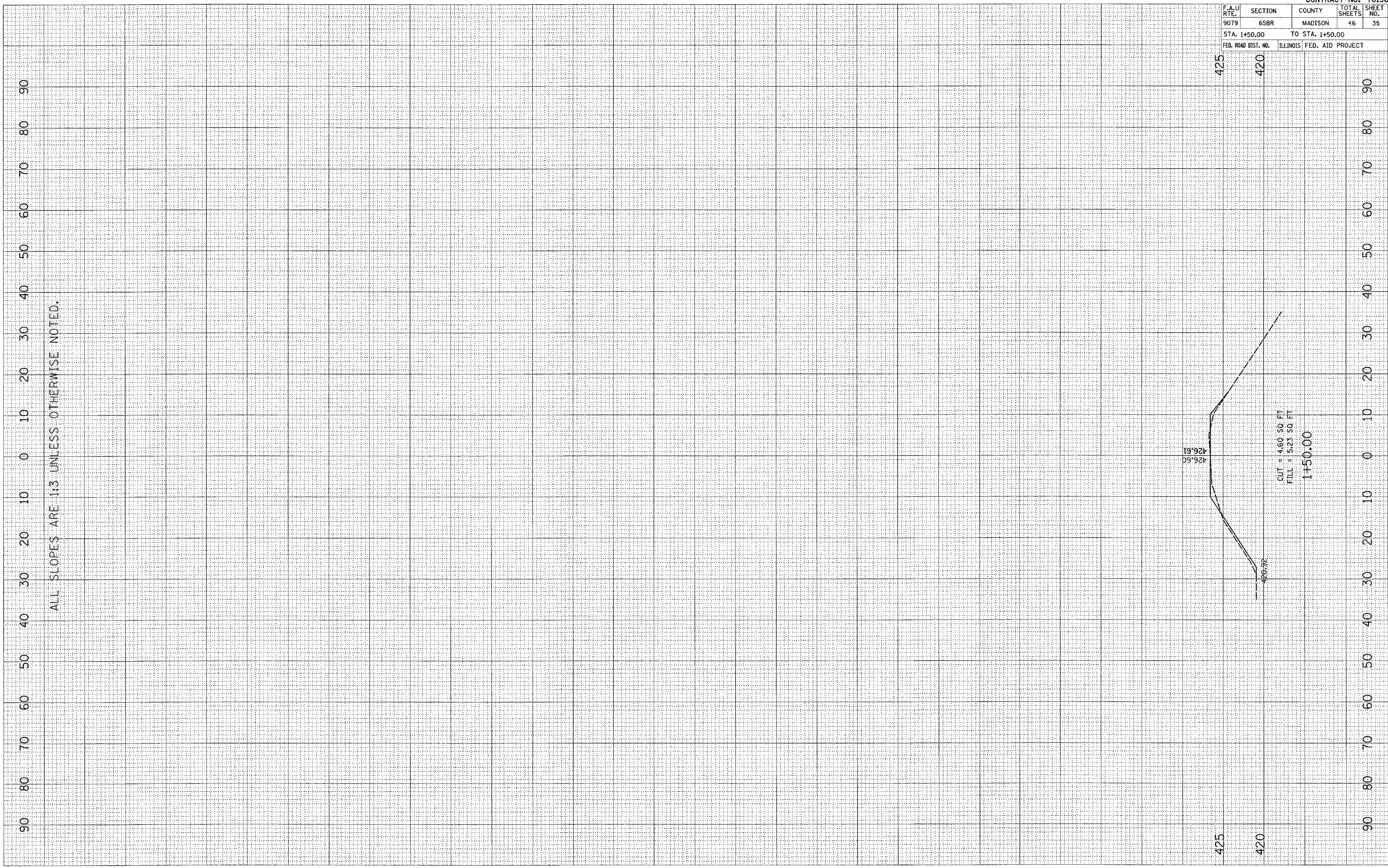
NO. \_\_\_\_\_

ORIGINAL SURVEYED PLOTTED RE-PLATE AREAS CHECKED

BY \_\_\_\_\_ DATE \_\_\_\_\_

NO. \_\_\_\_\_

PLOT DATE \* \* \* \* \*  
 PLOT SCALE \* \* \* \* \*  
 USER NAME \* \* \* \* \*



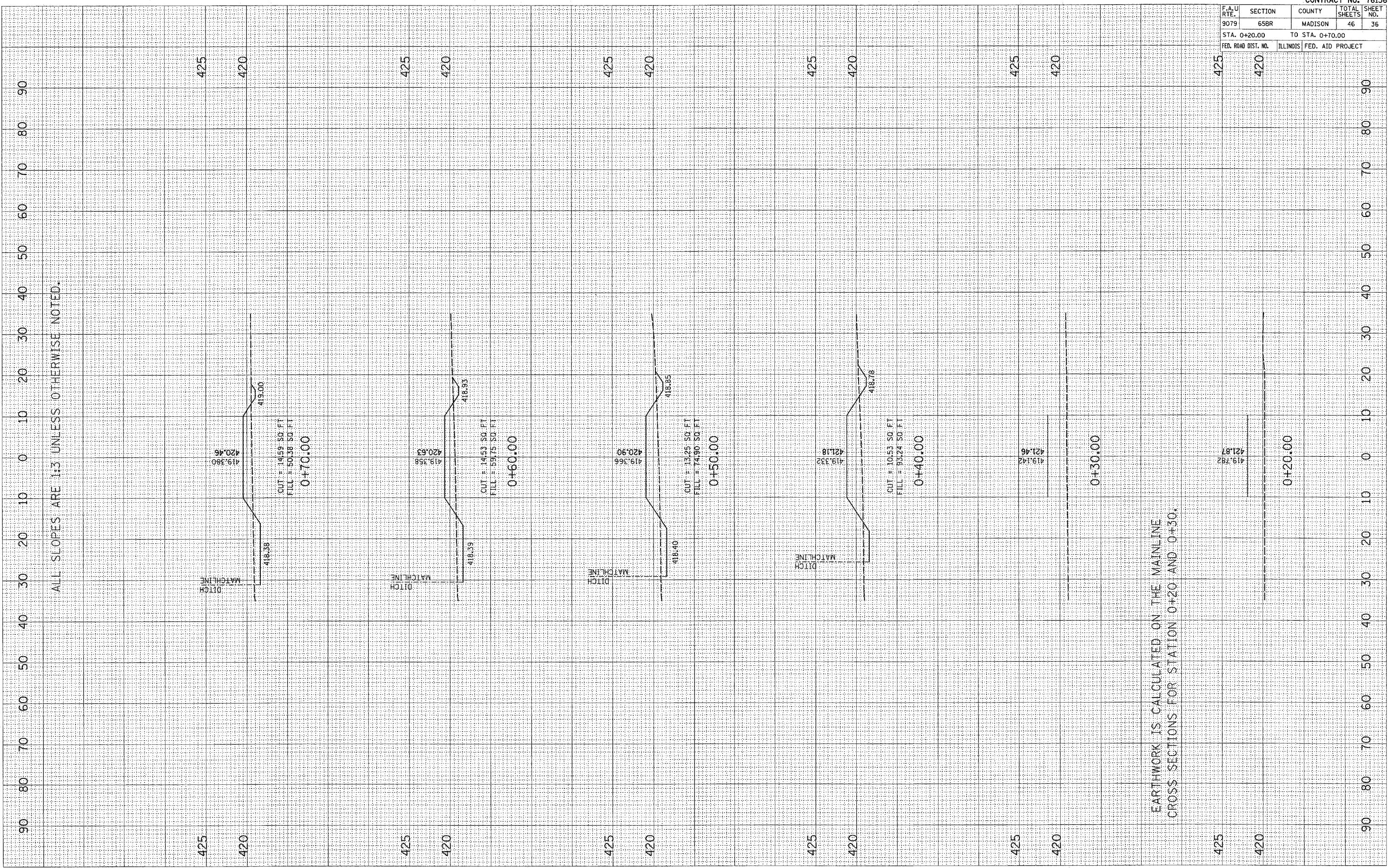
ALL SLOPES ARE 1:3 UNLESS OTHERWISE NOTED.

F.A.U. RTE.	SECTION	COUNTY	TOTAL SHEETS	SHEET NO.
9079	65BR	MADISON	46	36
STA. 0+20.00		TO STA. 0+70.00		
FED. ROAD DIST. NO.	ILLINOIS	FED. AID PROJECT		

FINAL SURVEY	BY	DATE
NO. _____	_____	_____
NOTE BOOK		
AREAS CHECKED		

ORIGINAL SURVEY	BY	DATE
NO. _____	_____	_____
NOTE BOOK		
AREAS CHECKED		

PLOT DATE = #DATE\*  
 PLOT SCALE = #SCALE\*  
 USER NAME = #USER#



ALL SLOPES ARE 1:3 UNLESS OTHERWISE NOTED.

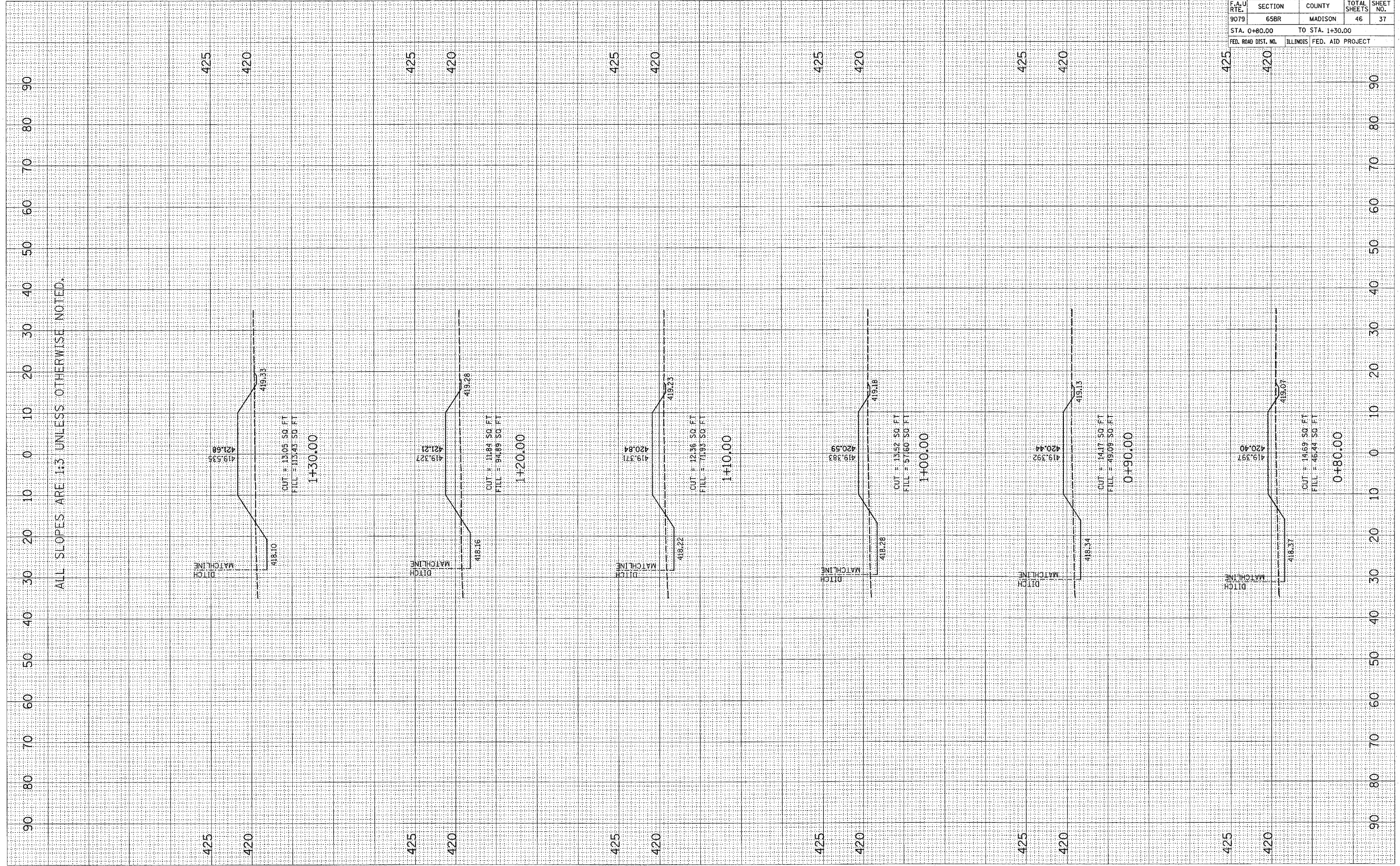
EARTHWORK IS CALCULATED ON THE MAINLINE  
 CROSS SECTIONS FOR STATION 0+20 AND 0+30.

PLOT DATE = #DATE#  
 FILE NAME = #FILE#  
 PLOT SCALE = #SCALE#  
 USER NAME = #USER#

ORIGINAL SURVEY SHEWED BY DATE  
 NOTE BOOK NO. TA. DATE  
 AREAS CHECKED

FINAL SURVEY SHEWED BY DATE  
 NOTE BOOK NO. TA. DATE  
 AREAS CHECKED

ALL SLOPES ARE 1:3 UNLESS OTHERWISE NOTED.



CONTRACT NO. 76136				
F.A.U. RTE. 9079	SECTION 65BR	COUNTY MADISON	TOTAL SHEETS 46	SHEET NO. 37
STA. 0+80.00		TO STA. 1+30.00		
FED. ROAD DIST. NO.	ILLINOIS	FED. AID PROJECT		

PLOT DATE = \*DATE\*  
 FILE NAME = \*FILE\*  
 PLOT SCALE = \*SCALE\*  
 USER NAME = \*USER\*

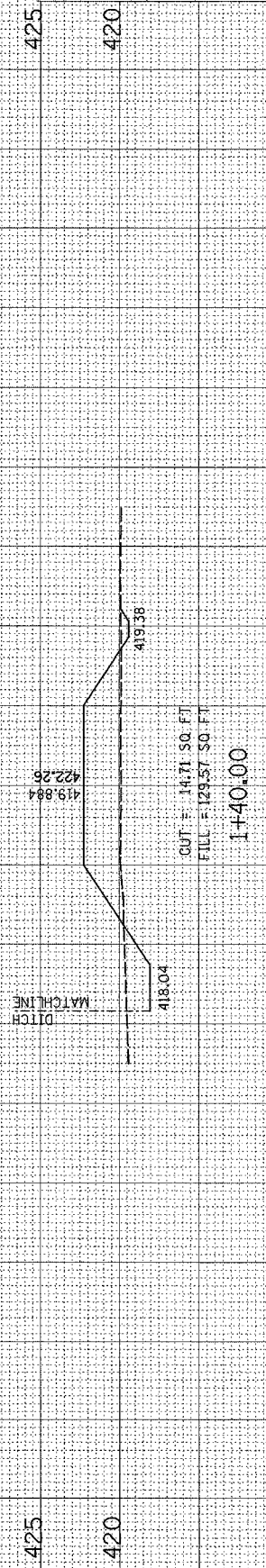
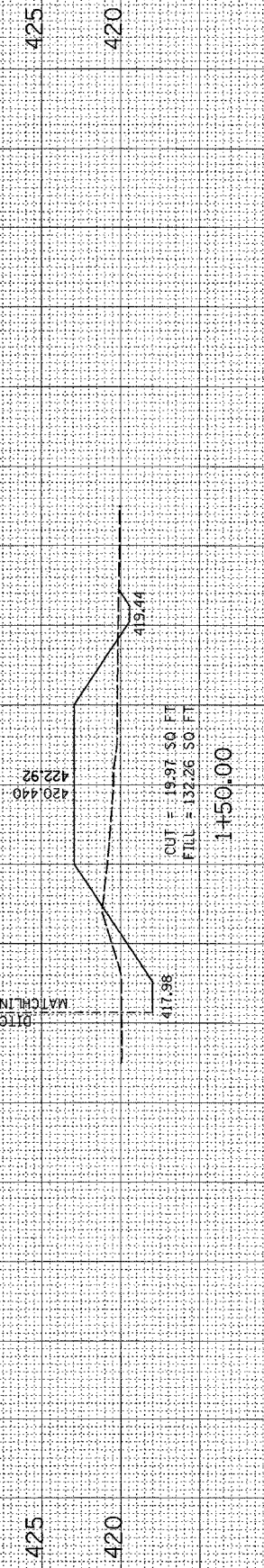
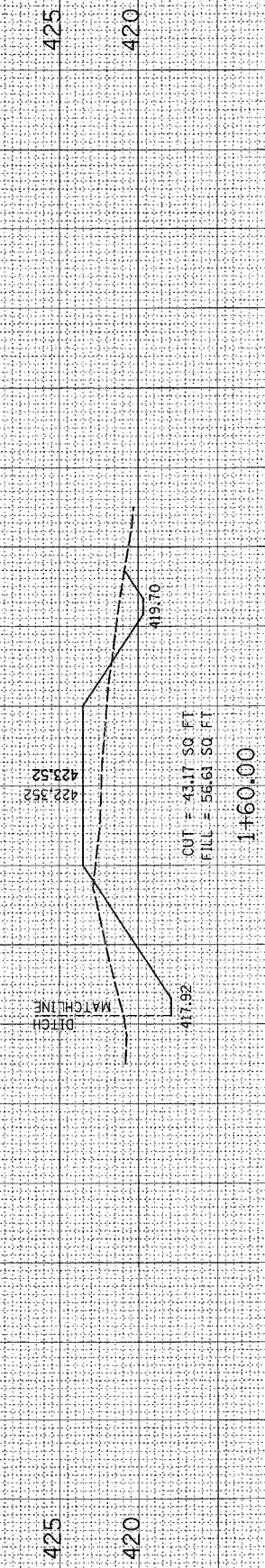
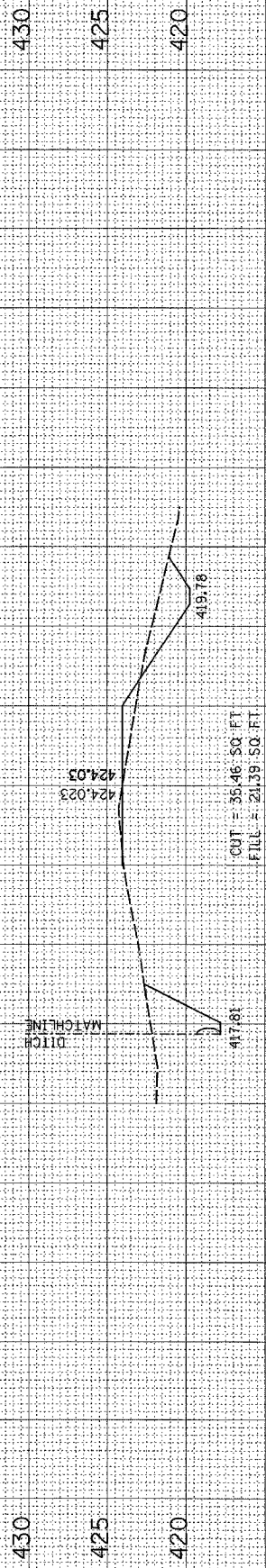
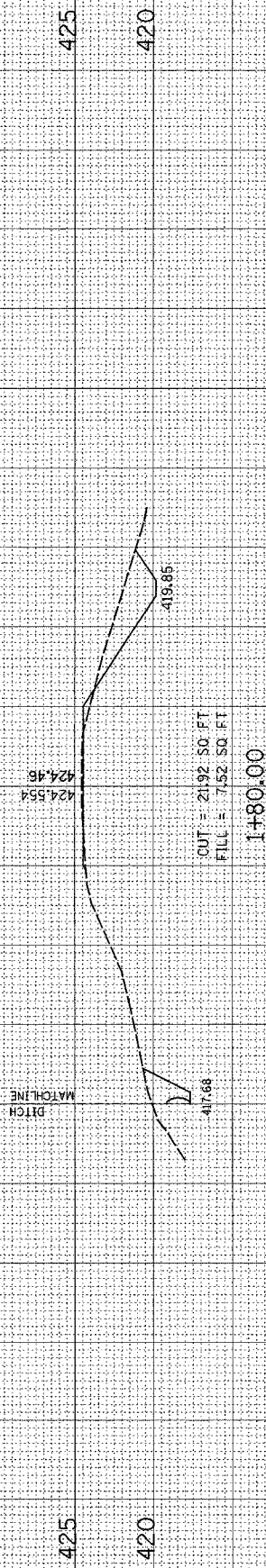
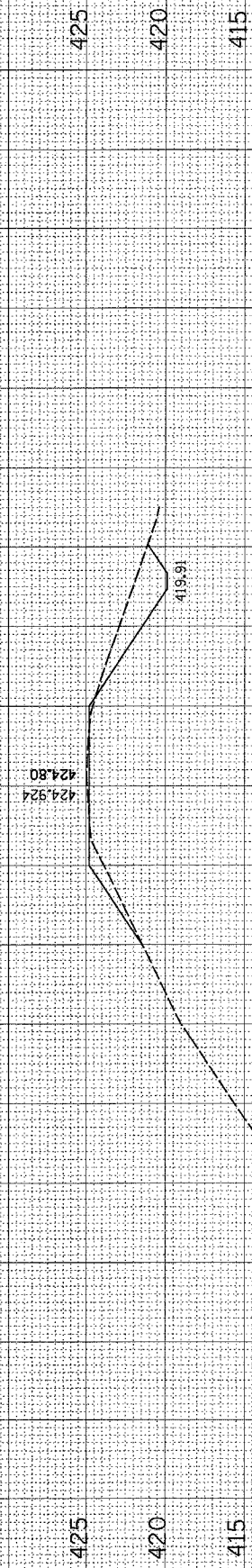
ORIGINAL SURVEY  
 NOTE BOOK  
 NO.

FINAL SURVEY  
 NOTE BOOK  
 NO.

CHECKED  
 PLOTTED  
 AREAS  
 CHECKED

BY  
 DATE

ALL SLOPES ARE 3:1 UNLESS OTHERWISE NOTED.



F.A.U. RTE.	SECTION	COUNTY	TOTAL SHEETS	SHEET NO.
9079	65BR	MADISON	46	38
STA. 1+40.00		TO STA. 1+90.00		
FED. ROAD DIST. NO.		ILLINOIS FED. AID PROJECT		

CONTRACT NO. 76136

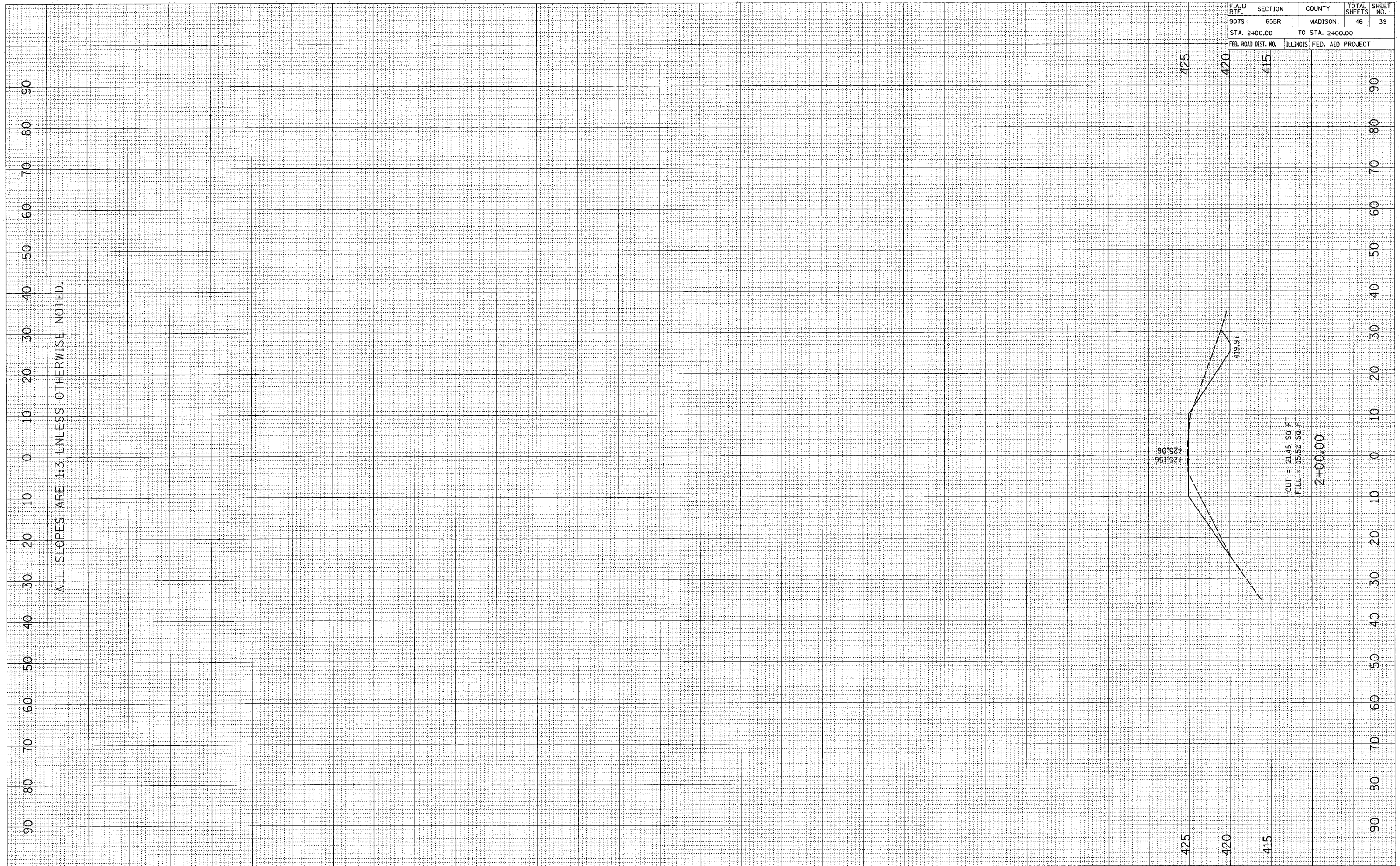
NORTHEAST ACCESS ROAD

PLOT DATE \* \* \* DATE \*  
 FILE NAME \* \* FILE \*  
 PLOT SCALE \* \* SCALE \*  
 USER NAME \* \* USER \*

ORIGINAL SURVEY BY DATE  
 NOTE BOOK NO. DATE  
 AREAS CHECKED

FINAL SURVEY BY DATE  
 NOTE BOOK NO. DATE  
 AREAS CHECKED

ALL SLOPES ARE 1:3 UNLESS OTHERWISE NOTED.



CONTRACT NO. 76136				
F.A.U. RTE.	SECTION	COUNTY	TOTAL SHEETS	SHEET NO.
9079	65BR	MADISON	46	39
STA. 2+00.00		TO STA. 2+00.00		
FED. ROAD DIST. NO.		ILLINOIS FED. AID PROJECT		

NORTHEAST ACCESS ROAD

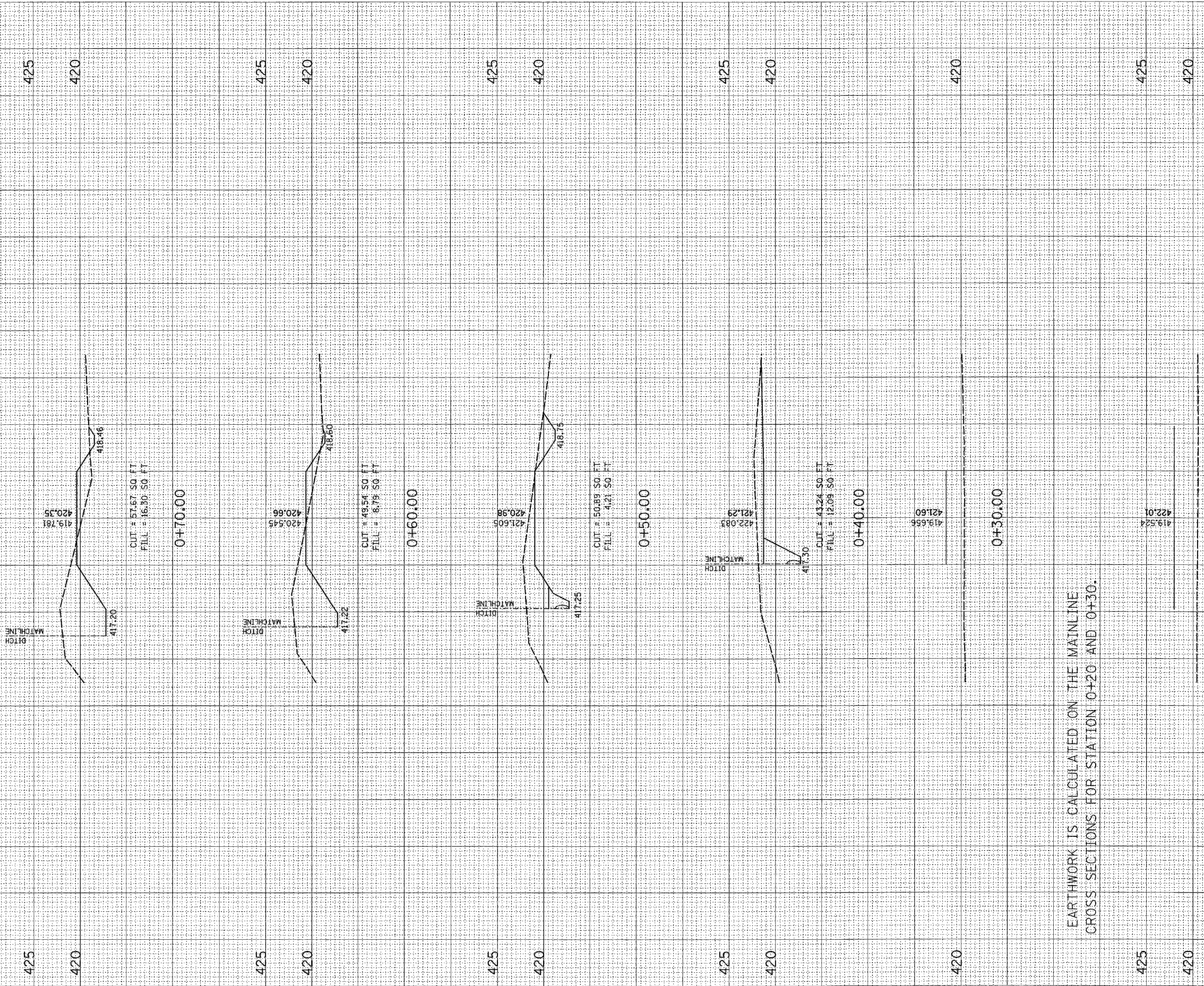


PLOT DATE = 10/19/2006  
 FILE NAME = c:\pwworkspace\106699999\106699999.dwg  
 PLOT SCALE = 1/8" = 1' IN.  
 USER NAME = overbj

ORIGINAL SURVEY  
 SURVEY PLOTTED  
 DATE  
 BY

FINAL SURVEY  
 SURVEY PLOTTED  
 DATE  
 BY

ALL SLOPES ARE 1:3 UNLESS OTHERWISE NOTED.



EARTHWORK IS CALCULATED ON THE MAINLINE  
 CROSS SECTIONS FOR STATION 0+20 AND 0+30.

F.A.U. R.T.E.	SECTION	COUNTY	TOTAL SHEETS	SHEET NO.
9079	65BR	MADISON	46	40
STA. 0+20.00		TO STA. 0+70.00		
FED. ROAD DIST. NO.		ILLINOIS	FED. AID PROJECT	

CONTRACT NO. 76136

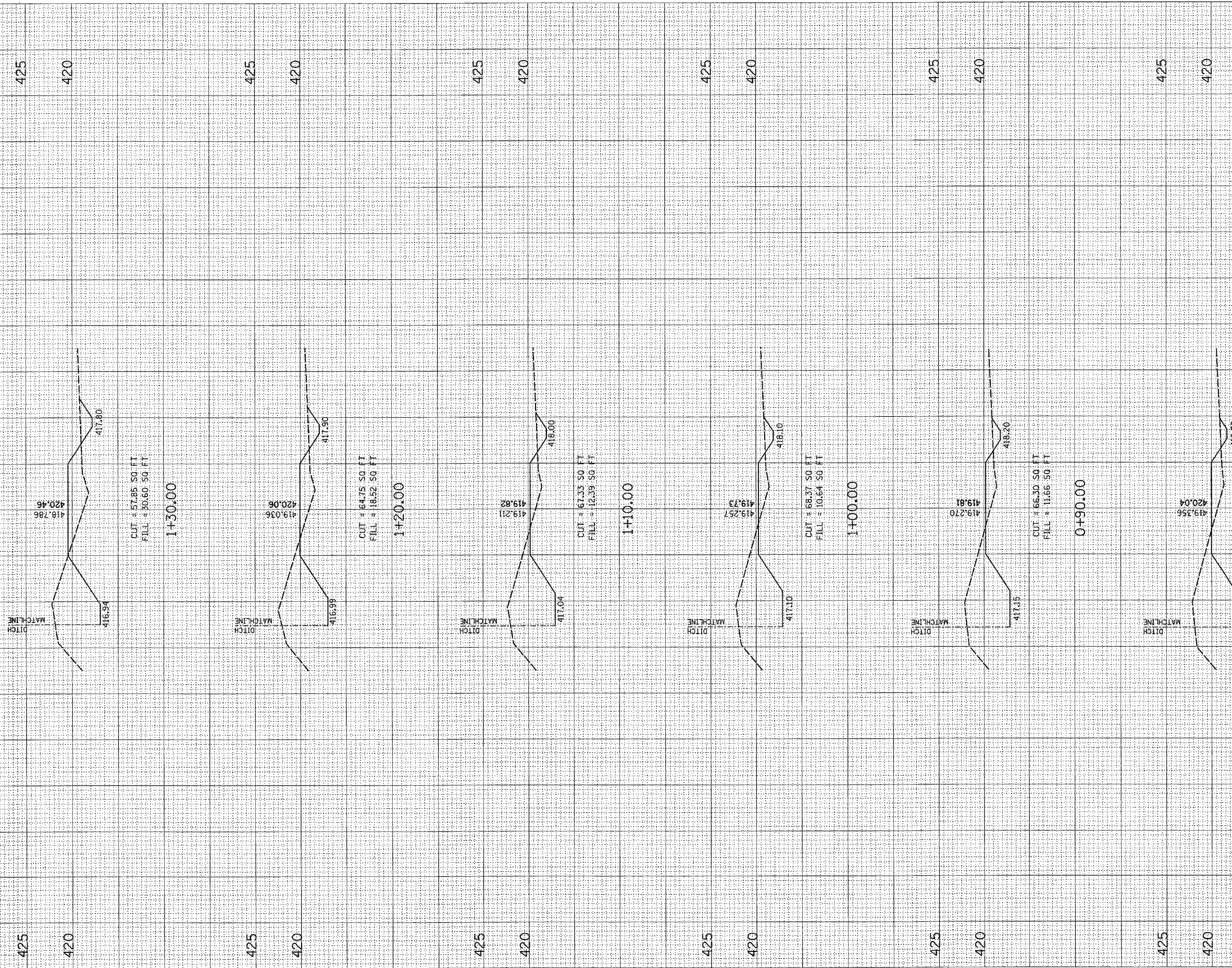
SOUTHWEST ACCESS ROAD

PLOT DATE \* \* \* \* \*  
 FILE NAME \* \* \* \* \*  
 PLOT SCALE \* \* \* \* \*  
 USER NAME \* \* \* \* \*

ORIGINAL SURVEY  
 NOTE BOOK NO.  
 BY DATE

FINAL SURVEY  
 NOTE BOOK NO.  
 BY DATE

ALL SLOPES ARE 1:3 UNLESS OTHERWISE NOTED.



SOUTHWEST ACCESS ROAD

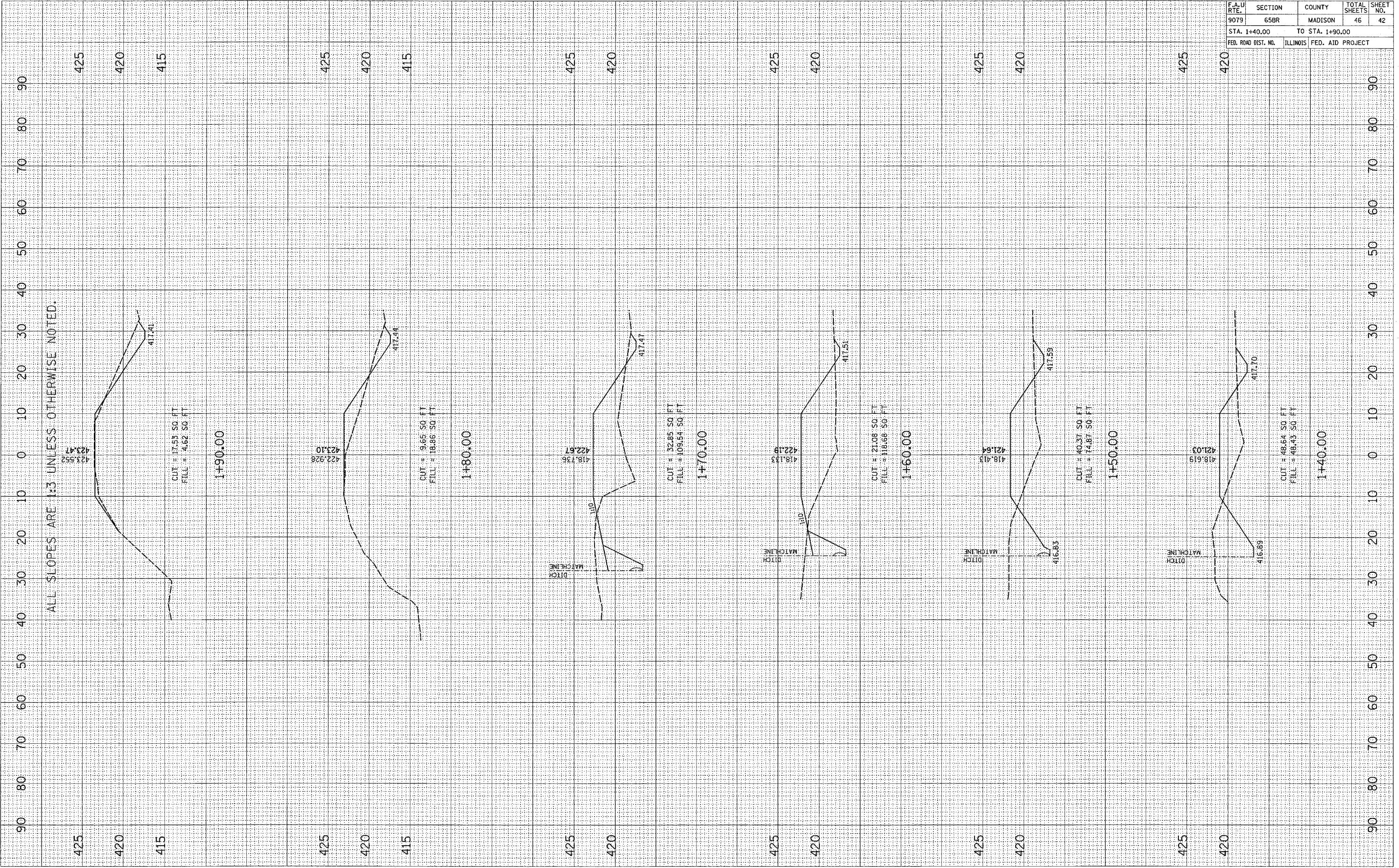
CONTRACT NO. 76136				
F.A.U. RTE.	SECTION	COUNTY	TOTAL SHEETS	SHEET NO.
9079	65BR	MADISON	46	41
STA. 0+80.00		TO STA. 1+30.00		
FED. ROAD DIST. NO.		ILLINOIS FED. AID PROJECT		

F.A.U. RTE.	SECTION	COUNTY	TOTAL SHEETS	SHEET NO.
9079	65BR	MADISON	46	42
STA. 1+40.00		TO STA. 1+90.00		
FED. ROAD DIST. NO.		ILLINOIS FED. AID PROJECT		

FINAL SURVEY	DATE
NO.	
BY	
DATE	
REVIEWED	
PLOTTED	
TEMPLATE	
AREAS	
CHECKED	

ORIGINAL SURVEY	DATE
NO.	
BY	
DATE	
REVIEWED	
PLOTTED	
TEMPLATE	
AREAS	
CHECKED	

PLOT DATE = #DATE#  
 FILE NAME = #FILE#  
 USER NAME = #USER#



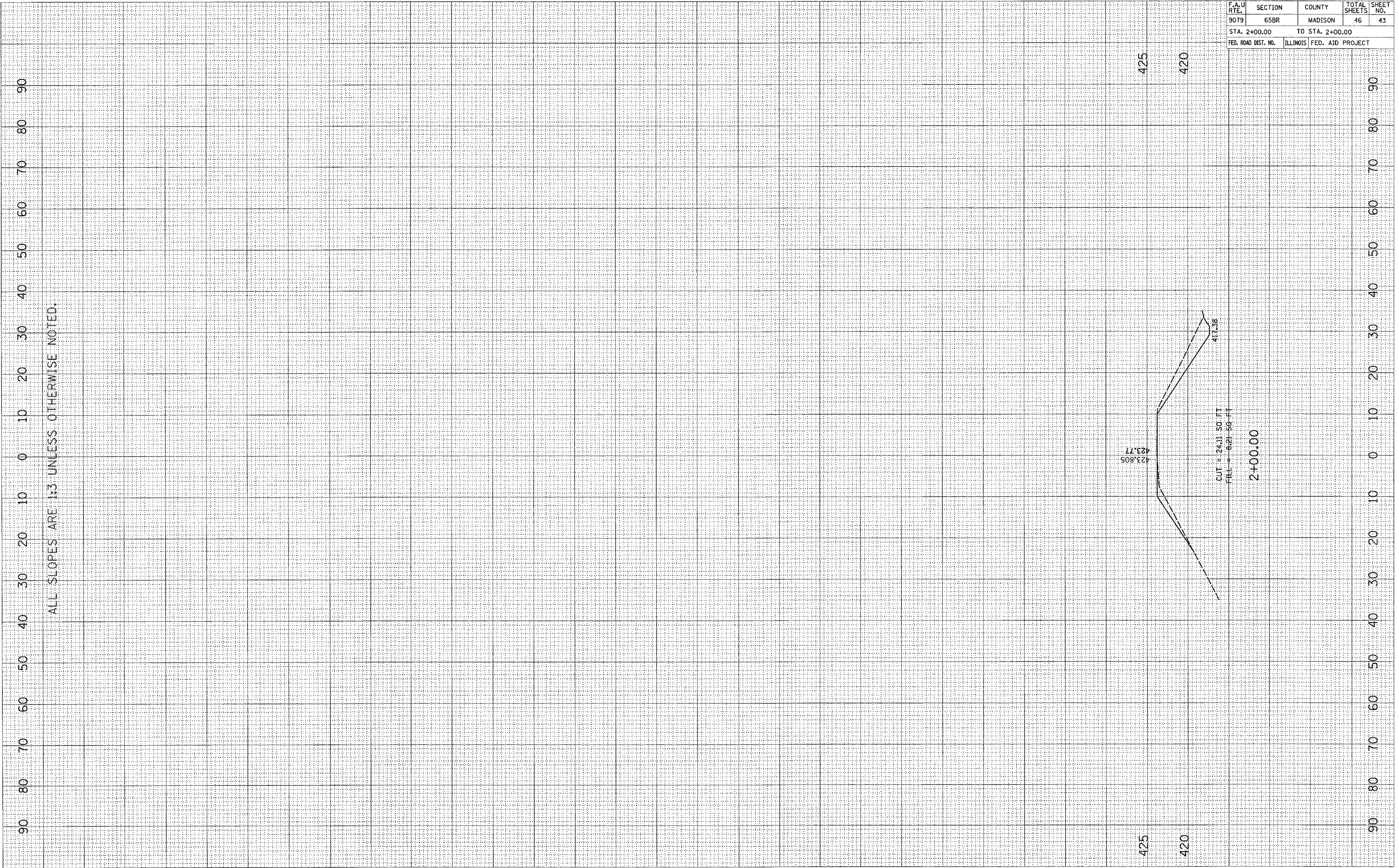
F.A.U. RTE.	SECTION	COUNTY	TOTAL SHEETS	SHEET NO.
9079	65BR	MADISON	46	43
STA. 2+00.00		TO STA. 2+00.00		
FED. ROAD DIST. NO.		ILLINOIS FED. AID PROJECT		

FINAL SURVEY	BY	DATE
NO. _____	_____	_____
NOTE BOOK	_____	_____
NO. _____	_____	_____
CHECKED	_____	_____
PLOTTED	_____	_____
TEMPLATE	_____	_____
AREAS	_____	_____
CHECKED	_____	_____

ORIGINAL SURVEY	BY	DATE
NO. _____	_____	_____
NOTE BOOK	_____	_____
NO. _____	_____	_____
CHECKED	_____	_____
PLOTTED	_____	_____
TEMPLATE	_____	_____
AREAS	_____	_____
CHECKED	_____	_____

PLOT DATE = #DATE#  
 FILE NAME = #FILE#  
 PLOT SCALE = #SCALE#  
 USER NAME = #USER#

ALL SLOPES ARE 1:3 UNLESS OTHERWISE NOTED.

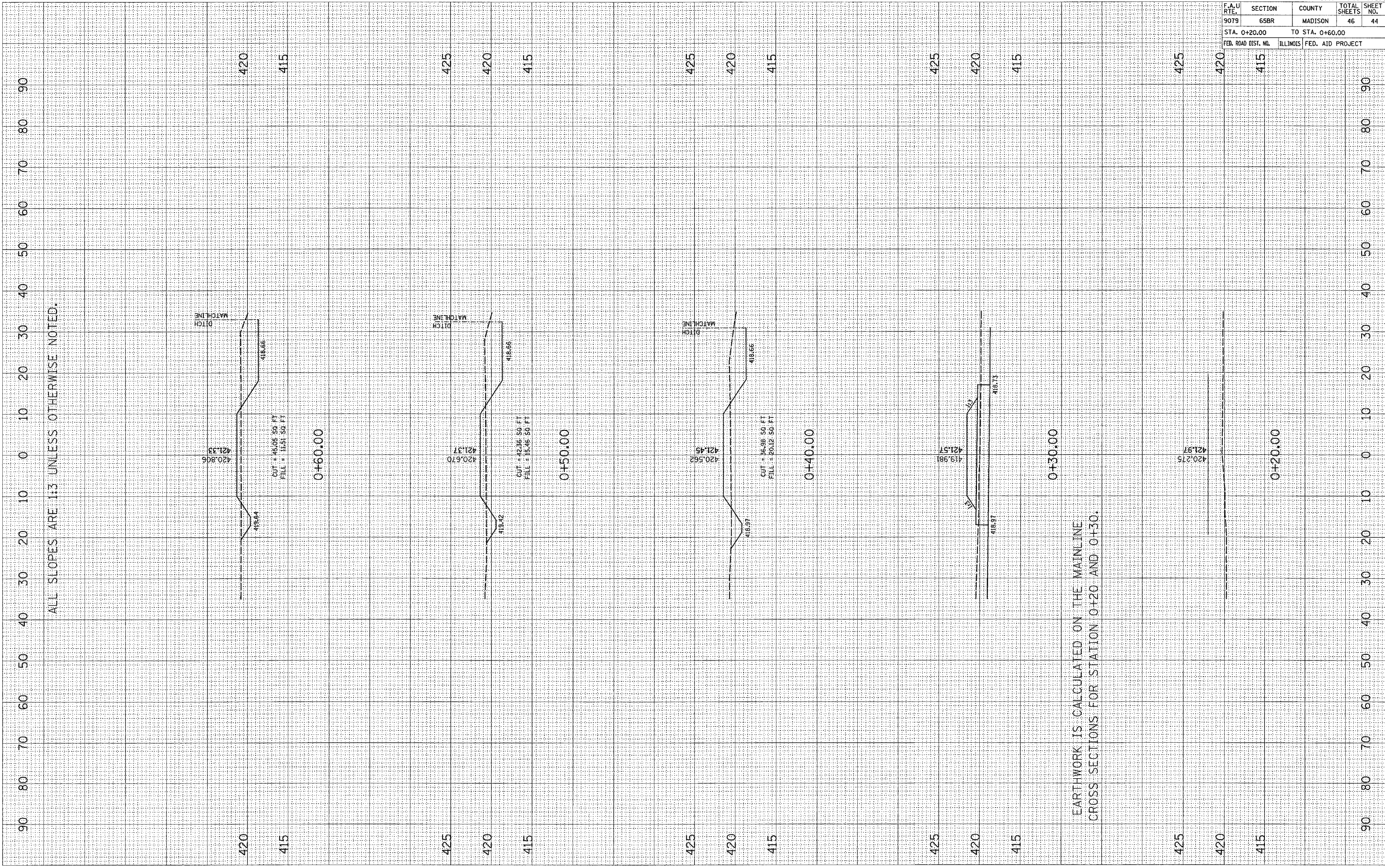


PLOT DATE = 10/19/2006  
 FILE NAME = c:\projects\65699\plan\sheet\65699.dwg  
 USER NAME = dmsj

ORIGINAL SURVEY CHECKED  
 SURVEY PLOTTED  
 TEMPLATE JOTTED  
 NO. AREAS CHECKED

FINAL SURVEY CHECKED  
 SURVEY PLOTTED  
 TEMPLATE JOTTED  
 NO. AREAS CHECKED

BY \_\_\_\_\_  
 DATE \_\_\_\_\_



ALL SLOPES ARE 1:3 UNLESS OTHERWISE NOTED.

EARTHWORK IS CALCULATED ON THE MAINLINE  
 CROSS SECTIONS FOR STATION 0+20 AND 0+30.

F.A.U. RTE.	SECTION	COUNTY	TOTAL SHEETS	SHEET NO.
9079	65BR	MADISON	46	44

CONTRACT NO. 76136

STA.	TO STA.
0+20.00	0+60.00

FED. ROAD DIST. NO. ILLINOIS FED. AID PROJECT

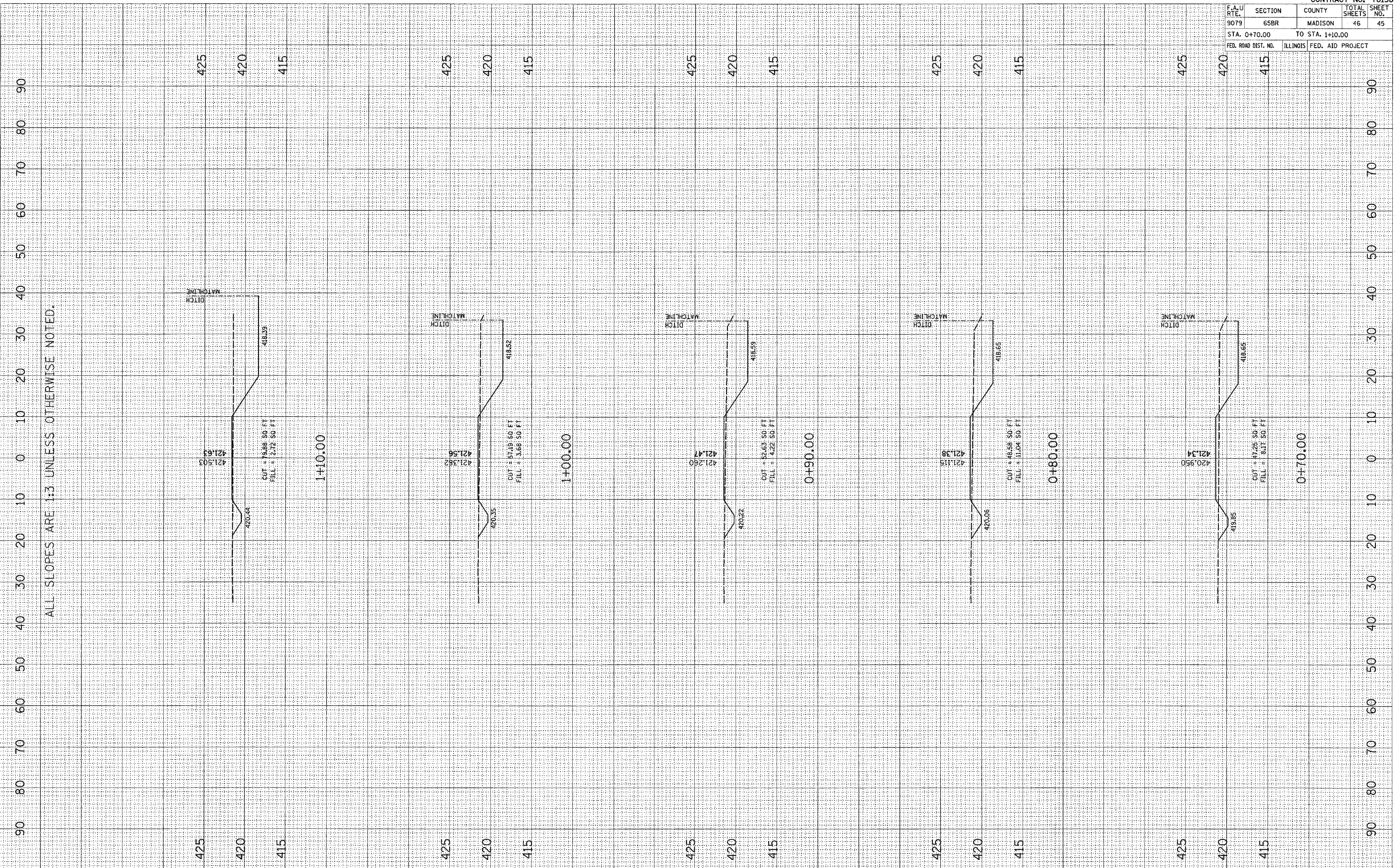
F.A.U. RTE.	SECTION	COUNTY	TOTAL SHEETS	SHEET NO.
9079	65BR	MADISON	46	45
STA. 0+70.00		TO STA. 1+10.00		
FED. ROAD DIST. NO.	ILLINOIS	FED. AID PROJECT		

FINAL SURVEY  
 NOTE BOOK NO. \_\_\_\_\_  
 SURVEYED BY \_\_\_\_\_  
 DATE \_\_\_\_\_  
 TEMPLATE AREAS CHECKED \_\_\_\_\_

ORIGINAL SURVEY  
 NOTE BOOK NO. \_\_\_\_\_  
 SURVEYED BY \_\_\_\_\_  
 DATE \_\_\_\_\_  
 TEMPLATE AREAS CHECKED \_\_\_\_\_

PLOT DATE = #DATE#  
 FILE NAME = #FILE#  
 PLOT SCALE = #SCALE#  
 USER NAME = #USER#

ALL SLOPES ARE 1:3 UNLESS OTHERWISE NOTED.



F.A. RTE.	SECTION	COUNTY	TOTAL SHEETS	SHEET NO.
9079	65BR	MADISON	46	46
STA. 1+20.00		TO STA. 1+50.00		
FED. ROAD DIST. NO.		ILLINOIS	FED. AID PROJECT	

FINAL SURVEY SHEET  
 NO. \_\_\_\_\_  
 DATE \_\_\_\_\_  
 BY \_\_\_\_\_  
 CHECKED \_\_\_\_\_  
 DATE \_\_\_\_\_  
 PLOTTED \_\_\_\_\_  
 TEMPLATE \_\_\_\_\_  
 AREAS CHECKED \_\_\_\_\_

ORIGINAL SURVEY SHEET  
 NO. \_\_\_\_\_  
 DATE \_\_\_\_\_  
 BY \_\_\_\_\_  
 CHECKED \_\_\_\_\_  
 DATE \_\_\_\_\_  
 PLOTTED \_\_\_\_\_  
 TEMPLATE \_\_\_\_\_  
 AREAS CHECKED \_\_\_\_\_

PLOT DATE = DATE  
 FILE NAME = NAME  
 USER NAME = USER

ALL SLOPES ARE 1:3 UNLESS OTHERWISE NOTED.

