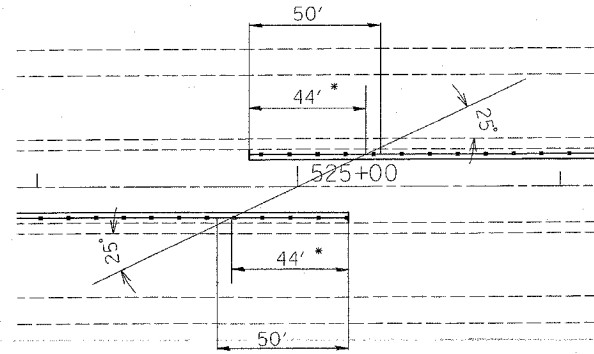
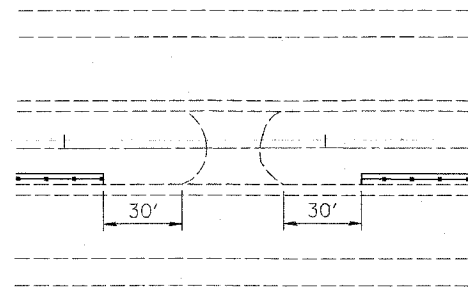


F.A.I. RTE.	SECTION	COUNTY	TOTAL SHEETS	SHEET NO.
55/70	*	MADISON	26	24
STA.		TO STA.		
FED. ROAD DIST. NO.	ILLINOIS	FED. AID PROJECT		

* 60-(7,8,9,10)I-2,60-(1,2)I-3



* FOR PURPOSES OF HTC LAYOUT SHOWN IN PLANS, 44' FOR LON POINT WAS USED.
ACTUAL LON POINT WILL VARY DEPENDING ON HTC SYSTEM USED.

PAY LENGTH FOR HTC MEDIAN BARRIER TERMINAL IS 50' REGARDLESS OF LON POINT.

PLT DATE = 12/11/2006
FILE NAME = c:\pcc\mca\ed66883\plan\plc066883.dgn
PLOT SCALE = 1/8" = 100'-0" / IN.
REFERENCE = #REF*

REVISIONS	
NAME	DATE

ILLINOIS DEPARTMENT OF TRANSPORTATION
HTC DETAILS
FAI ROUTE 55/70
SECTION 60-(7,8,9,10)I-2,60(1,2)I-3
MADISON COUNTY

SCALE: VERT. _____
HORIZ. _____

DATE _____ DRAWN BY _____
CHECKED BY _____