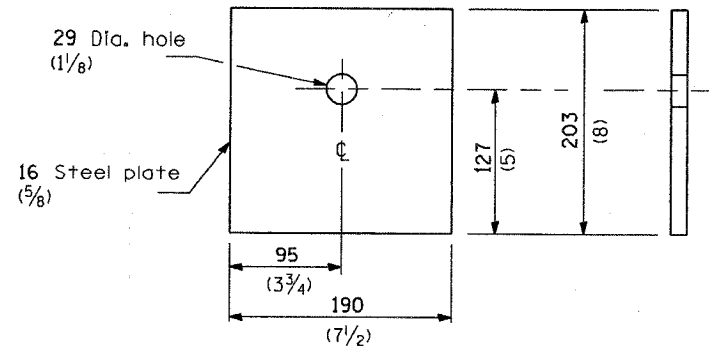
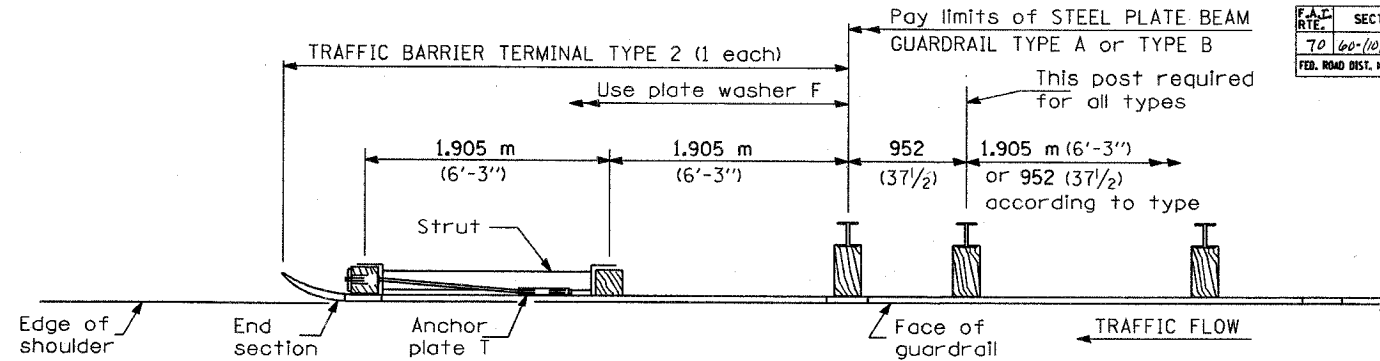


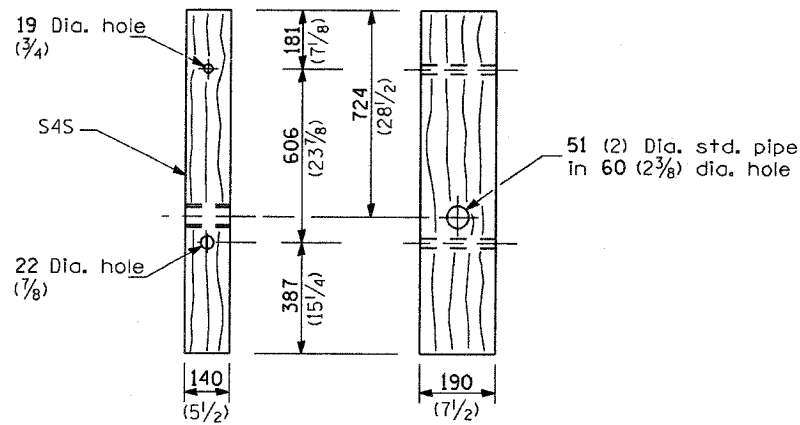
F.A.C. RTE.	SECTION	COUNTY	TOTAL SHEETS	SHEET NO.
70	60-10,11,RS	Madison	156	156F
FED. ROAD DIST. NO.		ILLINOIS FED. AID PROJECT		



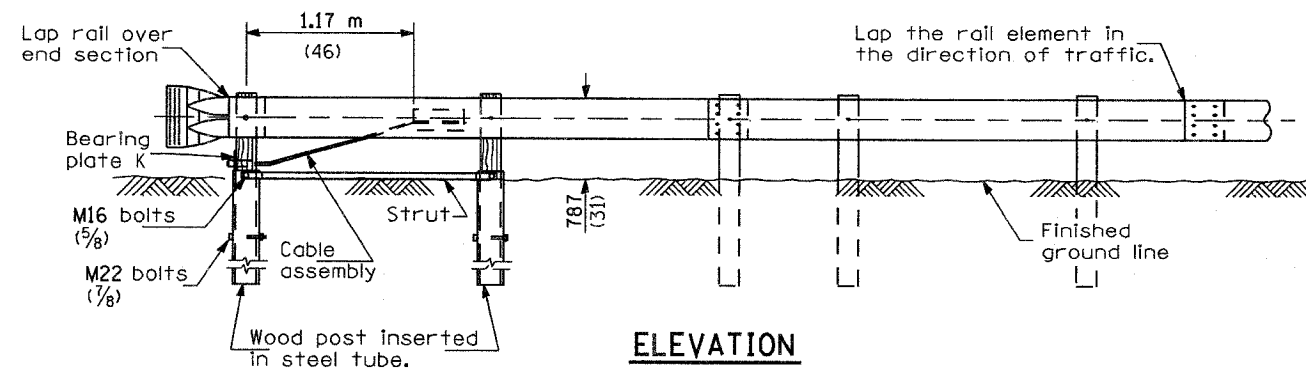
BEARING PLATE K



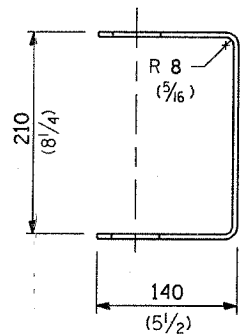
PLAN



WOOD POST

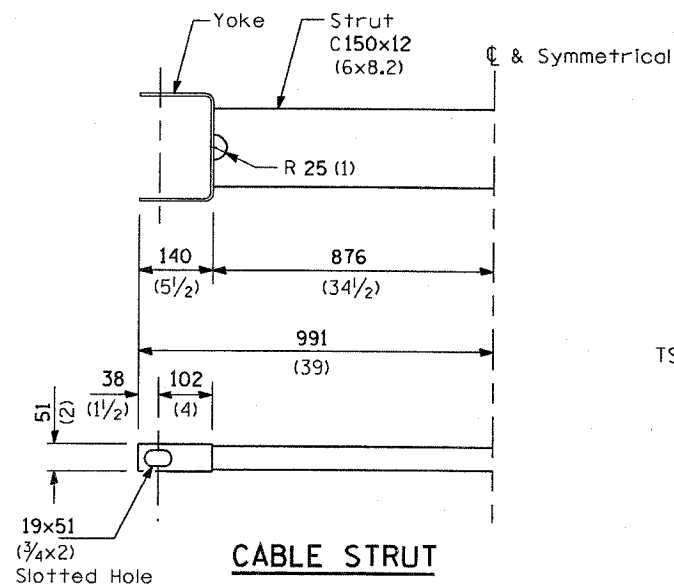


ELEVATION

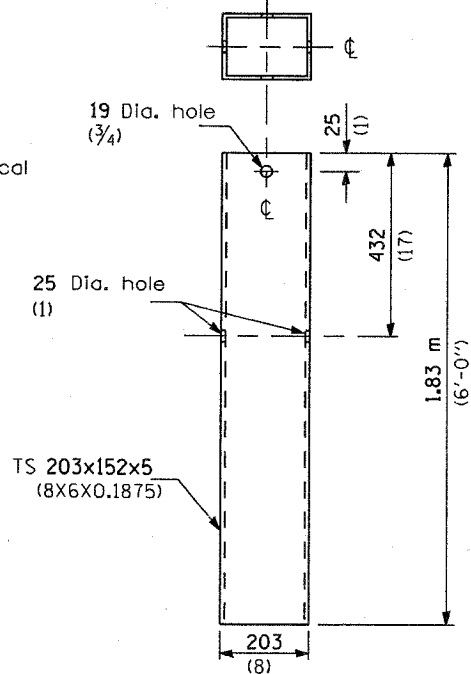


YOKE

5 (3/16) thick steel



CABLE STRUT



STEEL TUBE

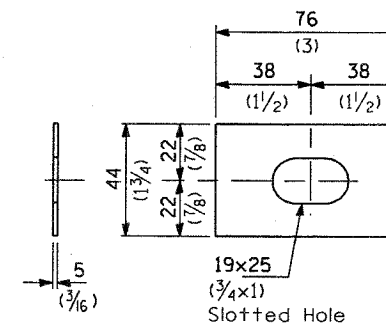


PLATE WASHER F

GENERAL NOTES

See Standard 630001 for details of guardrail not shown.

The bearing plate K shall be held in position by (2) two eight penny nails driven into the post and bent over the top of the plate.

All dimensions are in millimeters (inches) unless otherwise shown.

TRAFFIC BARRIER TERMINAL, TYPE 2

DETAIL

ADDED SHEET 2-20-07

(FOR USE WITH STD. 630001)