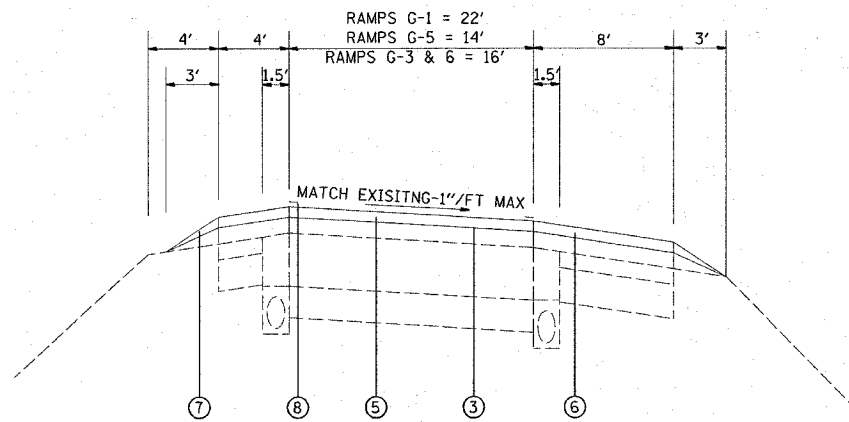


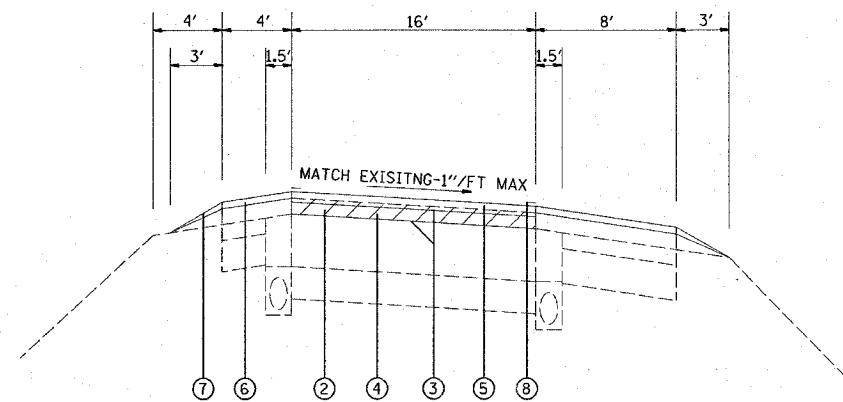
F.A.I. RTE.	SECTION	COUNTY	TOTAL SHEETS	SHEET NO.
70	60-(10,11)RS	MADISON	12	10
STA. _____		TO STA. _____		
FED. ROAD DIST. NO. - ILLINOIS FED. AID PROJECT				

PROPOSED TYPICAL SECTION
RAMPS G1, G3, G5, AND G6

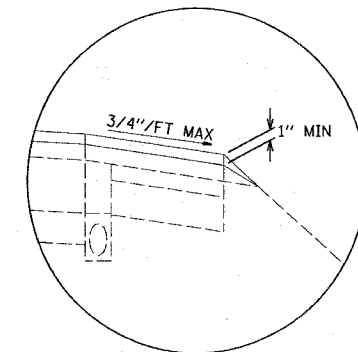


RAMP G1 STATION 2+72 TO STATION 16+88
 RAMP G3 STATION 7+00 TO STATION 20+50
 RAMP G5 STATION 0+00 TO STATION 25+53
 RAMP G6 STATION 1+78 TO STATION 13+15

PROPOSED TYPICAL SECTION
RAMP G7

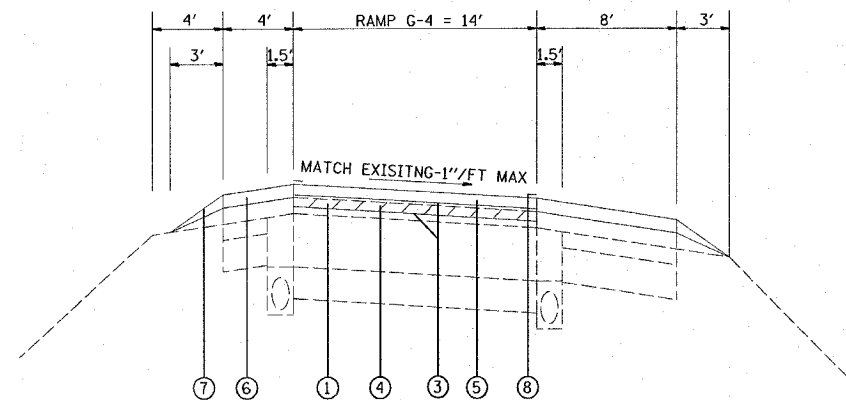


RAMP G7 STATION -0+66 TO STATION 15+82



SHOULDER RESURFACING DETAIL

PROPOSED TYPICAL SECTION
RAMP G4



RAMP G4 STATION 8+20 TO STATION 31+28

LEGEND

- ① HOT MIX ASPHALT SURFACE REMOVAL 1 3/4"
- ② HOT MIX ASPHALT SURFACE REMOVAL 2 3/4"
- ③ POLYMERIZED BITUMINOUS MATERIALS (PRIME COAT) AND AGGREGATE (PRIME COAT)
- ④ 2 1/4" POLYMERIZED HOT-MIX ASPHALT BINDER COURSE, IL-19.0, N105
- ⑤ 2" POLYMERIZED BITUMINOUS CONCRETE SURFACE COURSE, STONE MATRIX ASPHALT, N80
- ⑥ HOT-MIX ASPHALT SHOULDERS
- ⑦ AGGREGATE SHOULDERS, TYPE B.
- ⑧ THERMOPLASTIC PAVEMENT MARKING LINE, 4"

DATE = #DATE#
 FILE NAME = #FILE#
 PLOT SCALE = #SCALE#
 REFERENCE = #REF#

REVISIONS	
NAME	DATE

ILLINOIS DEPARTMENT OF TRANSPORTATION
PROPOSED TYPICAL SECTIONS
 FAI ROUTE 70
 SECTION 60-(10,11)RS
 MADISON COUNTY

SCALE: VERT. _____
 HORIZ. _____
 DATE _____ DRAWN BY _____
 CHECKED BY _____