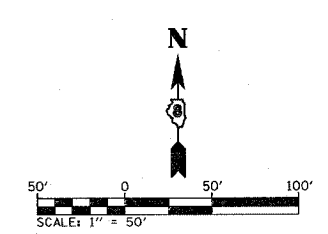
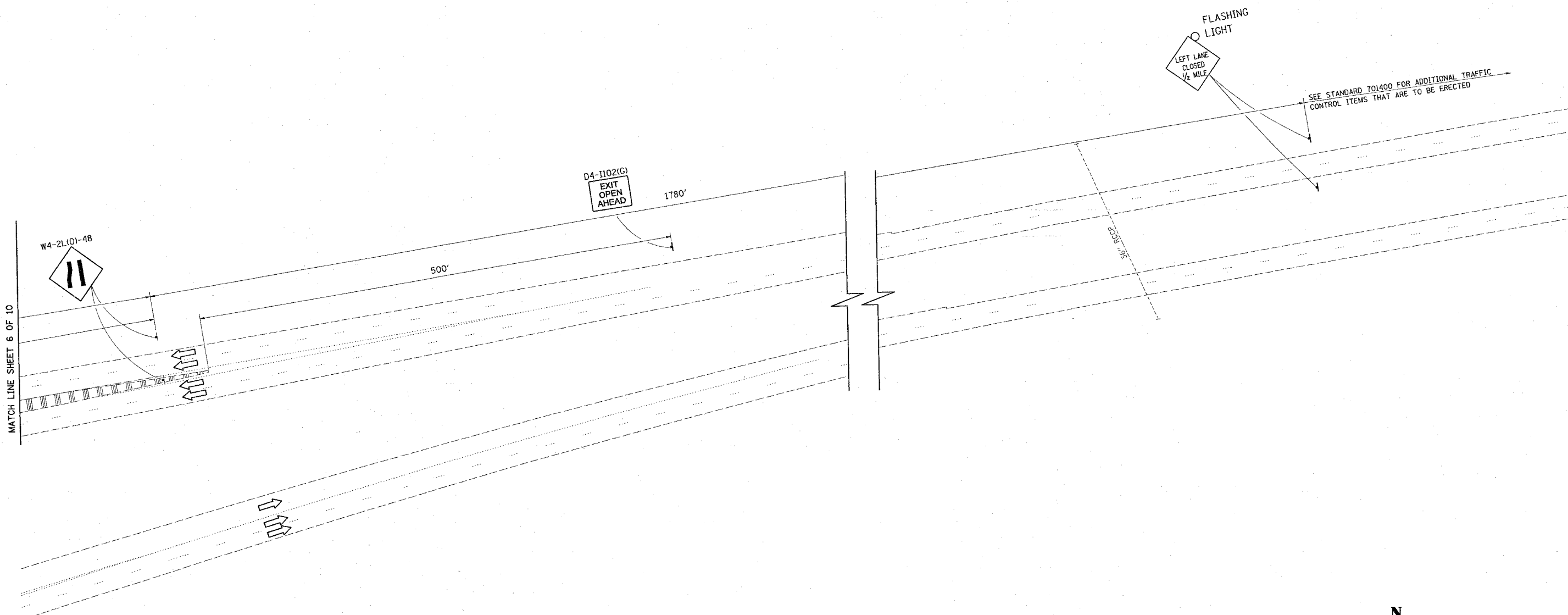


|                     |         |                           |              |           |
|---------------------|---------|---------------------------|--------------|-----------|
| F.A.I. RTE.         | SECTION | COUNTY                    | TOTAL SHEETS | SHEET NO. |
| 270                 | 60-6HB  | MADISON                   | 156          | 58        |
| STA.                |         | TO STA.                   |              |           |
| FED. ROAD DIST. NO. |         | ILLINOIS FED. AID PROJECT |              |           |



| REVISIONS |      |
|-----------|------|
| NAME      | DATE |
|           |      |
|           |      |
|           |      |
|           |      |
|           |      |
|           |      |
|           |      |
|           |      |
|           |      |
|           |      |

ILLINOIS DEPARTMENT OF TRANSPORTATION  
 STAGE I TRAFFIC CONTROL FOR  
 WB I-270 OVER I-55

PLOT DATE = #DATE#  
 FILE NAME = #FILE#  
 PLOT SCALE = #SCALE#  
 USER NAME = #USER#