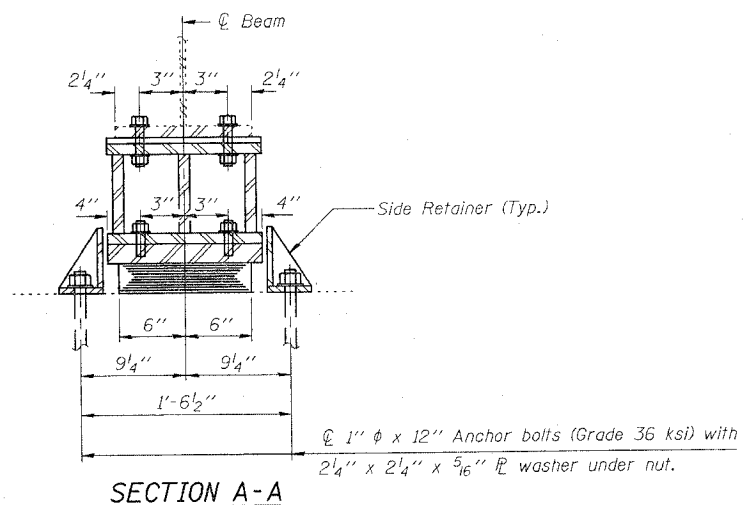
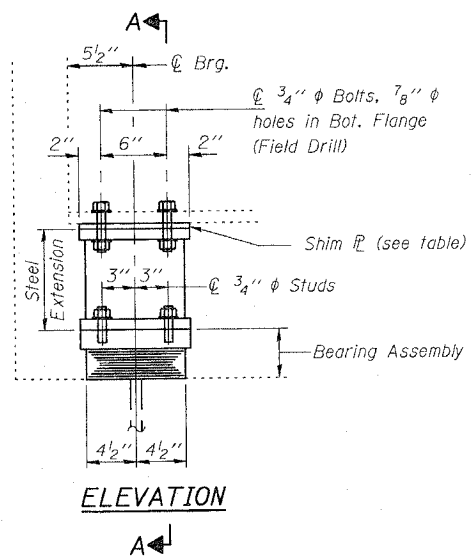


STATE OF ILLINOIS
DEPARTMENT OF TRANSPORTATION

SHEET 6
OF 9

F.A.I. RTE.	SECTION	COUNTY	TOTAL SHEETS	SHEET NO.
70	60-10B	MADISON	156	103
FED. ROAD DIST. NO.	ILLINOIS	FED. AID PROJECT		
			CONTRACT NO. 76857	

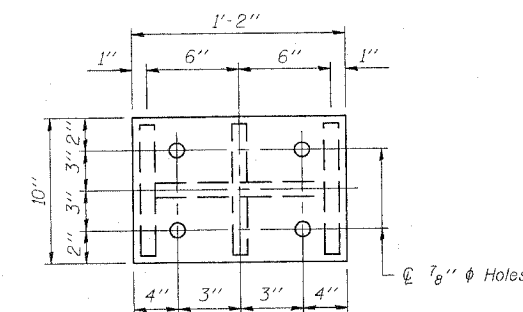


INTERIOR GIRDER REACTION TABLE

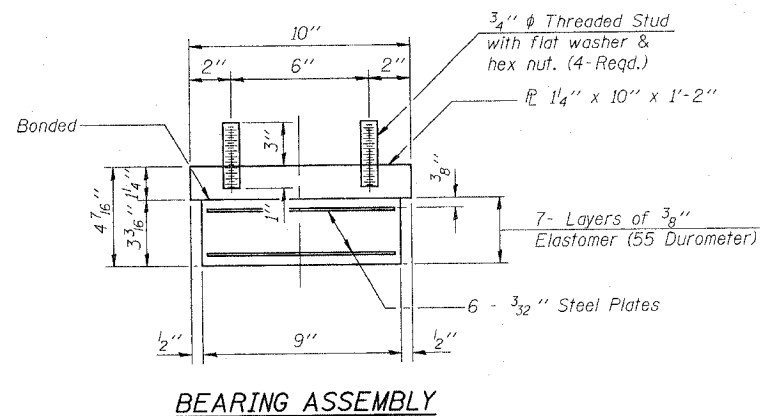
R (DL)	(K)	15.2
R (LL)	(K)	30.8
R (Imp)	(K)	9.2
R (Total)	(K)	55.2
Minimum Jack Capacity	(Tons)	30

SHIM PLATE THICKNESS TABLE

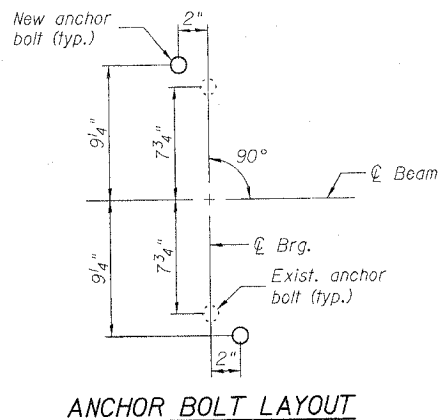
Beam 10	(in)	1/4"
Beam 11	(in)	5/8"



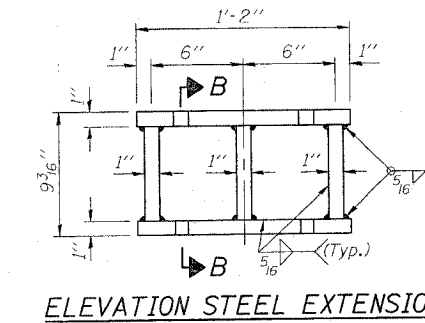
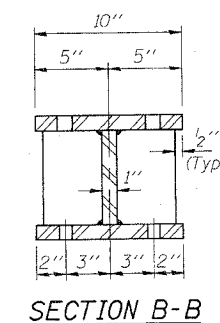
TYPE I ELASTOMERIC EXP. BRG.



Note:
Shim plates shall not be placed under Bearing Assembly.



Notes:
Anchor bolts shall be ASTM F1554 all-thread (or an Engineer-approved alternate material) of the grade(s) and diameter(s) specified. ASTM A307 Grade C anchor bolts may be used in lieu of ASTM F1554 Grade 36 (Fy=36ksi). The corresponding specified grade of AASHTO M314 anchor bolts may be used in lieu of ASTM F1554.
Anchor bolts at fixed bearings may be either cast in place or installed in holes drilled after the supported member is in place.
Anchor bolts for side retainers may be cast in place or installed in holes drilled before or after members are in place.
Drilled and set anchor bolts shall be installed according to Article 521.06 of the Standard Specifications.
Side retainers and other steel members required for the bearing assembly shall be included in the cost of Elastomeric Bearing Assembly, Type I.



Notes:
Existing bearings at the Abutments and Pier 2 shall be removed and replaced according to the plans. Jacking shall be according to the Special Provisions for "JACK AND REMOVE EXISTING BEARINGS". If web stiffeners are not present directly over the jack location, hardwood timbers should be installed tightly between top and bottom flanges to prevent rotation. The abutment bearings shall be in place and the jacks lowered before the new concrete deck is poured at the abutments.
Diaphragm removal and replacement may be required to facilitate drilling holes. Cost shall be included with Furnishing and Erecting Structural Steel.

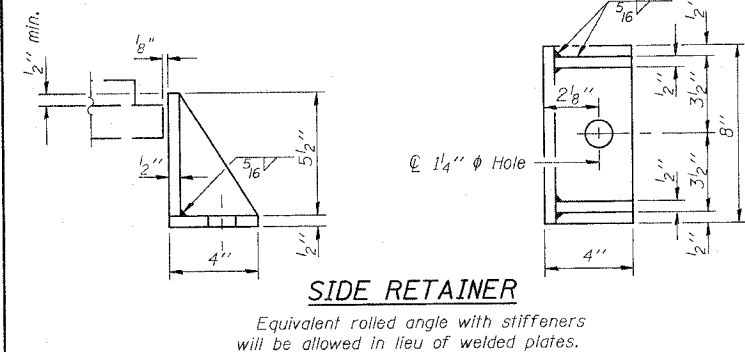
New steel extensions, shim plates, and connection bolts are included with Furnishing and Erecting Structural Steel.

Prior to ordering any material, the Contractor shall verify in the field all bearing height and shim thickness dimensions.

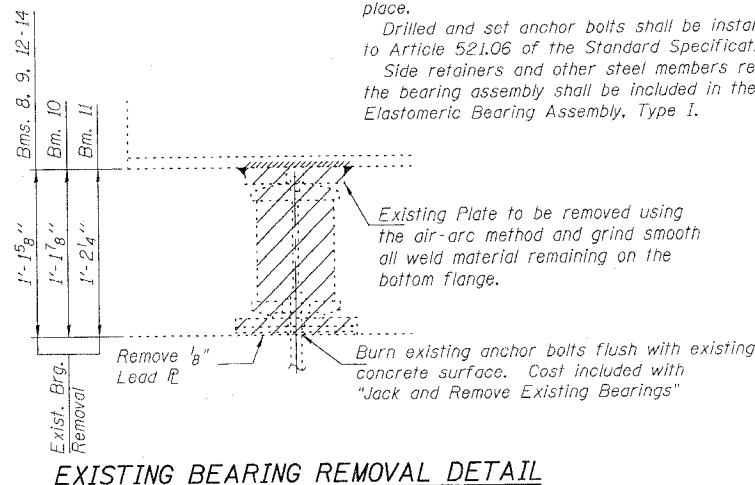
The structural steel bearing plates for the expansion bearings shall conform to the requirements of AASHTO M 270 Grade 50.

BILL OF MATERIAL

Item	Unit	Total
Jack and Remove Existing Bearings	Each	21
Elastomeric Bearing Assembly Type I	Each	21
Furnishing and Erecting Structural Steel	Pound	3640
Anchor Bolts, 1"	Each	42



Equivalent rolled angle with stiffeners will be allowed in lieu of welded plates.



BEARINGS - ABUTMENTS

FAI 70 (EB) OVER
WENDELL BRANCH
FAI ROUTE 70 SECTION 60-10B
MADISON COUNTY
STATION 996+73.85
STRUCTURE NO. 060-0023

JD Johnson, Depp & Quisenberry CONSULTING ENGINEERS Springfield, Illinois	
DESIGNED: CDB	DRAWN: P. Ray
CHECKED: DCD	CHECKED: CDB/DCD

I-2-E1

FILE: J:\JDD\1042 IL-DBV\45 I-70 Bridge Repair\3.2-SNOC0-0023 WendellBR-EBV06Bearing.sldgn
USER: DCD
DATE: 01/12/2007 16:41:20