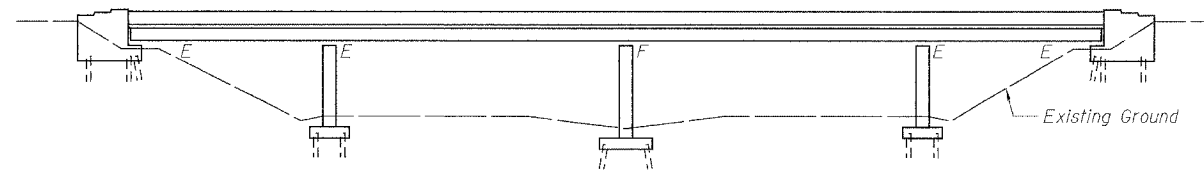


STATE OF ILLINOIS
DEPARTMENT OF TRANSPORTATION

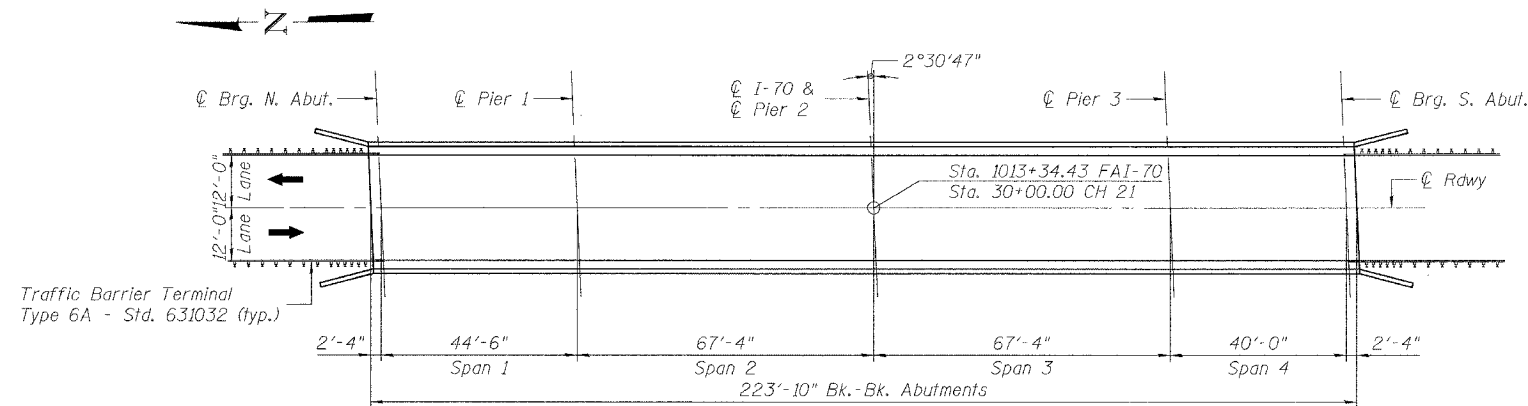
Sheet No.	Description
1	Gen. Plan, Gen. Notes & Total Bill of Mat'l
2	Deck Plan
3	Superstructure
4	Steel Bridge Rail

SHEET 1
OF 4

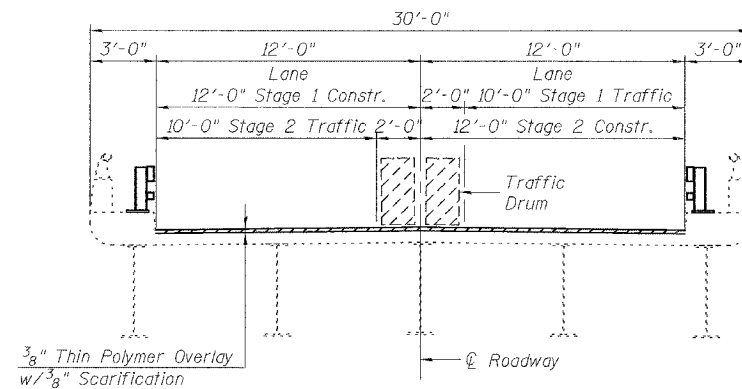
F.A.I. RTE.	SECTION	COUNTY	TOTAL SHEETS	SHEET NO.
70	60-10HB-1	MADISON	156	123
FED. ROAD DIST. NO.	ILLINOIS	FED. AID PROJECT	CONTRACT NO. 76857	



ELEVATION



PLAN



CROSS SECTION
(Looking South)

GENERAL NOTES

Plan dimensions and details relative to existing structure have been taken from existing plans and are subject to nominal construction variations. It shall be the Contractor's responsibility to verify such dimensions and details in the field and make necessary approved adjustments prior to construction or ordering of materials. Such variations shall not be cause for additional compensation for a change in the scope of the work, however, the Contractor will be paid for the quantity actually furnished at the unit price for the work.

All structural steel shall be AASHTO M 270 Grade 36, unless noted otherwise.

All new structural steel (for Floor Drain Extension) shall be shop painted with an inorganic zinc rich primer per AASHTO M300, Type 1. Field painting of structural steel shall be done under a separate painting contract.

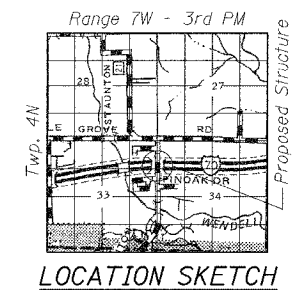
The existing structural steel coating contains lead. The Contractor should take appropriate precautions to deal with the presence of lead on this project.

Field welding of construction accessories will not be permitted to beams or girders.

A Protective Coat shall be applied to the tops and inside faces of the parapets, sidewalks, and wings. The coat shall not be applied to the Polymer Overlay.

TOTAL BILL OF MATERIAL

ITEM	UNIT	SUPER	SUB	TOTAL
Protective Coat	Sq Yd	265	--	265
Floor Drain Extension	Each	12	--	12
Steel Railing, Type 2399	Foot	444	--	444
Concrete Bridge Deck Scarification (3/8 Inch)	Sq Yd	592	--	592
Plug Existing Deck Drains	Each	14	--	14
Bridge Deck Thin Polymer Overlay 3/8"	Sq Yd	592	--	592
Deck Slab Repair (Full Depth, Type II)	Sq Yd	12	--	12
Deck Slab Repair (Partial)	Sq Yd	122	--	122



LOCATION SKETCH

GENERAL PLAN
STAUNTON ROAD (CH 21) OVER
INTERSTATE 70
FAI ROUTE 70 SECTION 60-10HB-1
MADISON COUNTY
STATION 1013+34.43
STRUCTURE NO. 060-0182

DESIGNED: CDB	DRAWN: SJS
CHECKED: DCD	CHECKED: CDB/DCD

DAVID C. DEPP
081-005117
REGISTERED PROFESSIONAL ENGINEER
STRUCTURAL ENGINEER

Signed: *David Depp*
Date: 1-15-2007
Lic. Expires: 11-30-2008

FILE: J:\JDD\10182 IL DBV\45 1-70 Bridge Repairs\6-S\060-0182 Structure\RD\0182plan.dgn
USER: DCD
DATE: 01/12/2007 10:18:29 AM