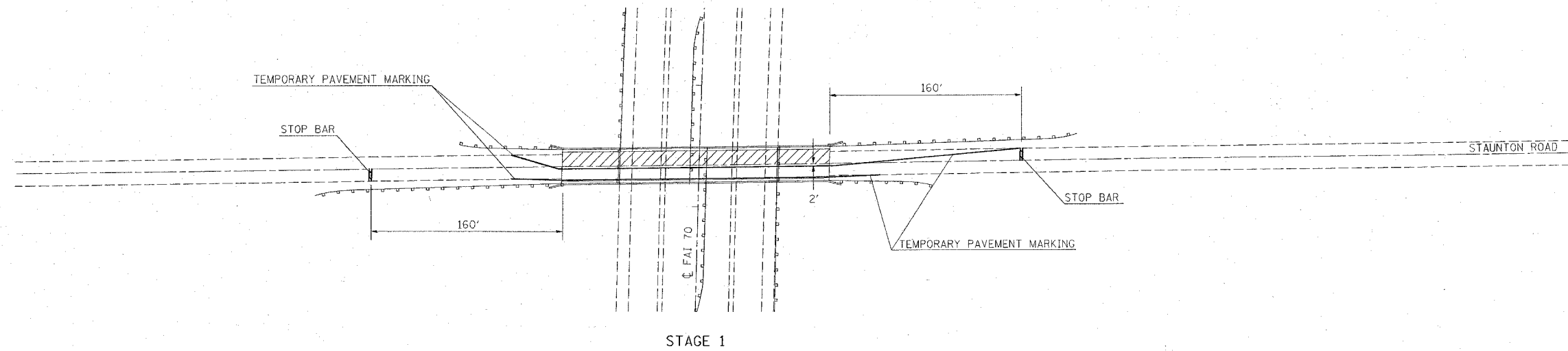
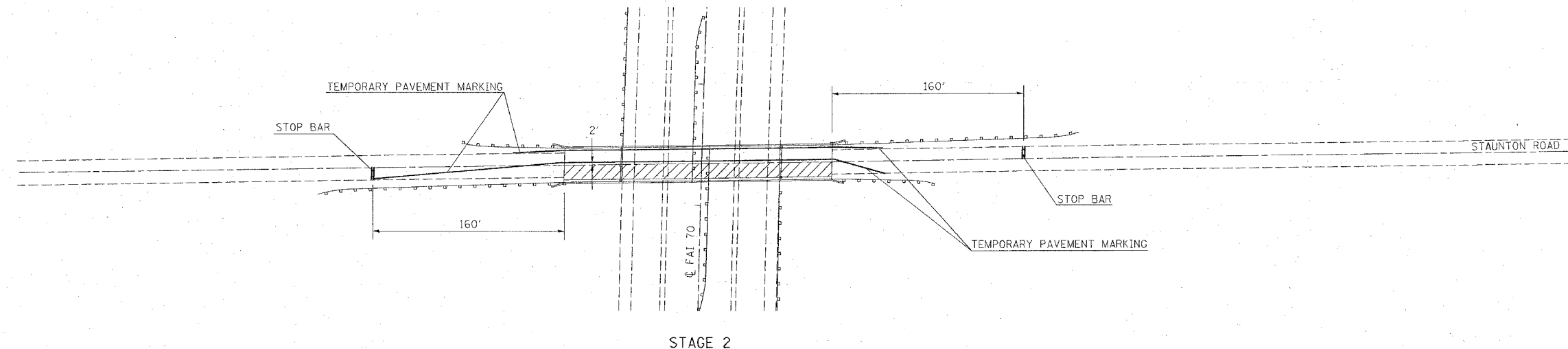


F.A.I. RTE.	SECTION	COUNTY	TOTAL SHEETS	SHEET NO.
70	60-(10,11)RS	MADISON	156	127
STA. _____		TO STA. _____		
FED. ROAD DIST. NO. _____		ILLINOIS FED. AID PROJECT		



STAGE 1

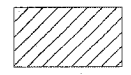


STAGE 2

NOTES:

TRAFFIC CONTROL SHALL CONFORM TO STANDARD 701316 ON STAUNTON ROAD. TRAFFIC CONTROL SHALL CONFORM TO STANDARD 701406 ON I-70 FOR PLACEMENT OF THE PROTECTIVE SHIELD. THE TRAFFIC CONTROL SHALL INCLUDE ALL DEVICES SHOWN ON THE STANDARDS INCLUDING TEMPORARY RUMBLE STRIPS ON STAUNTON ROAD.

A QUANTITY FOR TEMPORARY PAVEMENT MARKING IS PROVIDED IN THE EVENT THAT THE ORIGINAL NEEDS TO BE REPLACED. THE APPLICATION AND TYPE SHALL BE APPROVED BY THE RESIDENT ENGINEER. THIS ITEM OF WORK SHALL INCLUDE REMOVAL AND WILL ONLY BE PAID FOR ONCE REGARDLESS OF THE NUMBER OF SUBSEQUENT APPLICATIONS.



WORK AREA

REVISIONS	
NAME	DATE

ILLINOIS DEPARTMENT OF TRANSPORTATION
TRAFFIC CONTROL PLAN
STAUNTON ROAD (CH 21) OVER I-70
SN 060-0182
 FAI 70
 SECTION 60-(10,11)RS
 MADISON COUNTY

SCALE: VERT. _____ HORIZ. _____
 DATE _____ DRAWN BY _____
 CHECKED BY _____

PLOT DATE = #DATE#
 FILE NAME = #FILE#
 PLOT SCALE = #SCALE#
 REFERENCE = #REF#