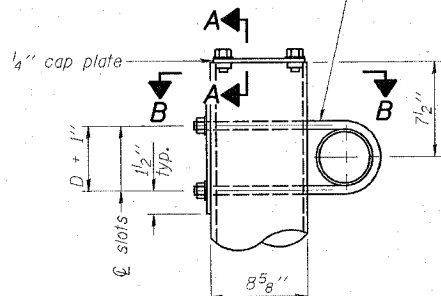


STATE OF ILLINOIS  
DEPARTMENT OF TRANSPORTATION

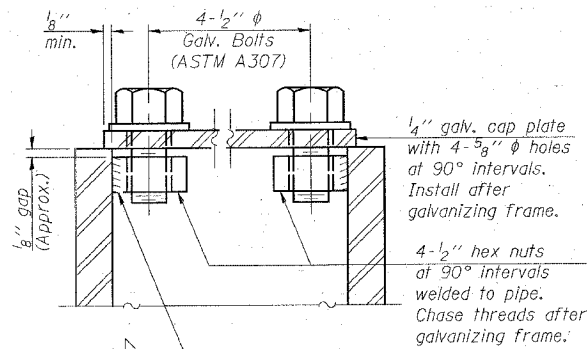
SHEET 5  
OF 10

F.A.T. RTE.	SECTION	COUNTY	TOTAL SHEETS	SHEET NO.
70	60-(10,11)RS	MADISON	156	132
FED. ROAD DIST. NO.	ILLINOIS	FED. AID PROJECT		
CONTRACT NO. 76857				

$\frac{3}{4}$ "  $\phi$  stainless steel U-bolt.  
Provide two washers and two hexagon locknuts. (4)  
 $\frac{1}{8}$ " x 2" slots on  $\phi$  8"  $\phi$  pipe.  
(4 slots required per pipe)

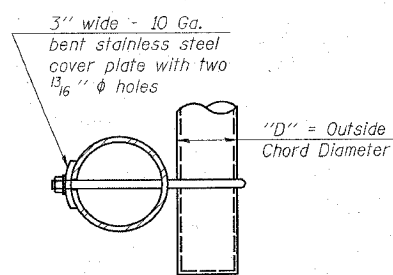


DETAIL A

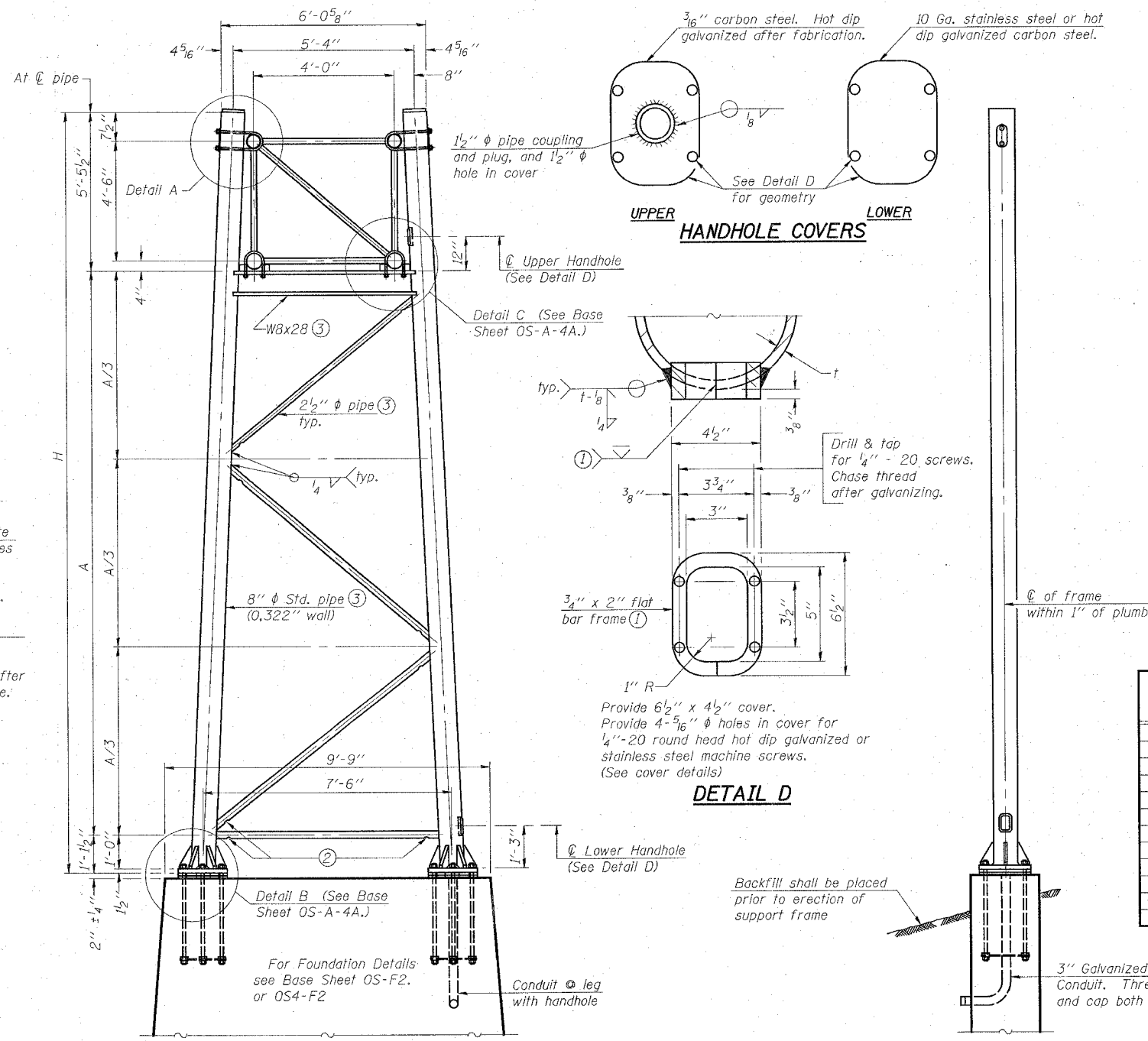


SECTION A-A

As an alternate to bolts, may use galvanized drive-fit caps installed after galvanizing frame.

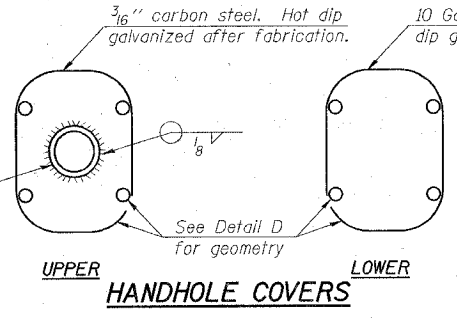


SECTION B-B

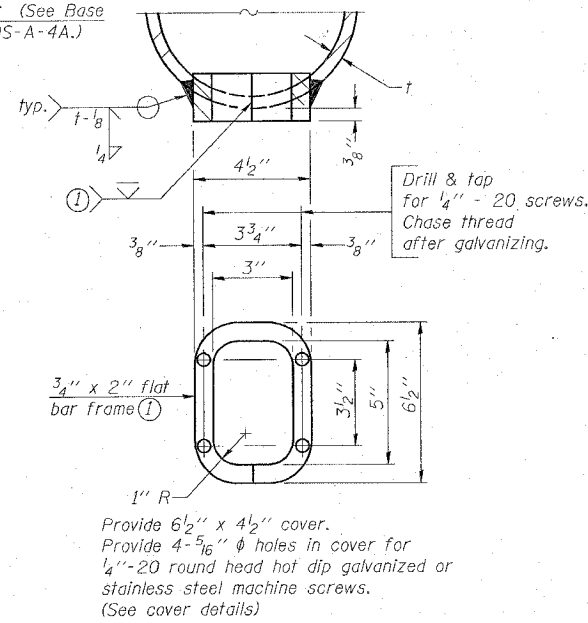


SIDE ELEVATION

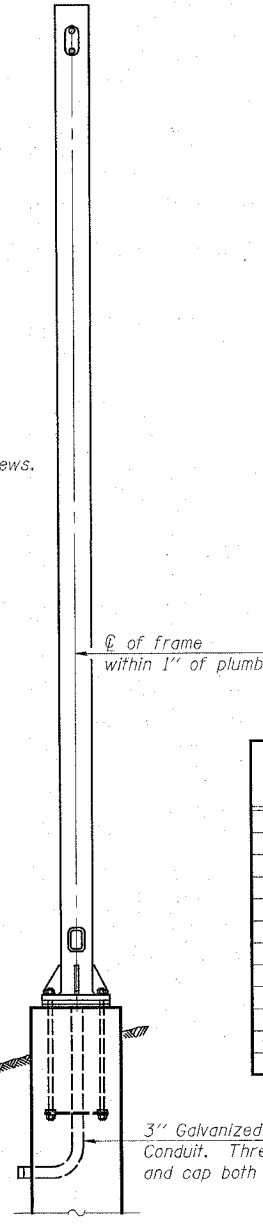
8"  $\phi$  PIPE TRUSS SUPPORT FRAME



UPPER  
HANDHOLE COVERS  
LOWER



DETAIL D



END ELEVATION

Support Design Loads: See Base Sheet OS-A-1 for design and loading criteria.  
Load combinations checked include deadload plus:  
a) 100% wind normal to sign, 20% parallel to sign  
b) 60% wind normal to sign, 30% parallel to sign

- In lieu of fabricated handhole frame as shown, may cut from 2" plate (rolling direction vertical). All cut faces to be ground to ANSI Roughness of 500 min or less.
- Galvanizing vent holes of adequate size shall be provided on underside at each end of bracing pipes. Alternately, holes may be provided in wall of pipe column. All vent holes shall be drilled and de-burred, typ.
- Steel pipe, plate, carbon steel handhole covers and rolled sections shall be hot dip galvanized after fabrication. Painting is not permitted. See Base Sheet OS-A-1.
- See General Notes for fasteners.
- Dimensions shown are based on selection criteria in the Sign Structures Manual. Nonstandard applications must have dimensions verified or amended as appropriate.
- "H" based on 15'-0" or actual sign height, whichever is greater.

Structure Number	Station	Support		H (6)	A
		Left	Right		
850601070L015.8	975+20			26'-7"	20'-0"

OVERHEAD SIGN STRUCTURES  
SUPPORT FRAME FOR TYPE I-A ALUMINUM TRUSS

FAI ROUTE 70  
SECTION 60-(10,11)RS  
MADISON COUNTY

**JD** Johnson, Depp & Quisenberry  
CONSULTING ENGINEERS  
Springfield, Illinois

DESIGNED: CDB      DRAWN: SJS  
CHECKED: DCD      CHECKED: CDB/DCD

OS-A-4      7/01/2006

NUMBER	REVISION	DATE

FILE: #FILES  
USER: #USER  
DATE: #DATE  
TIME: #TIME