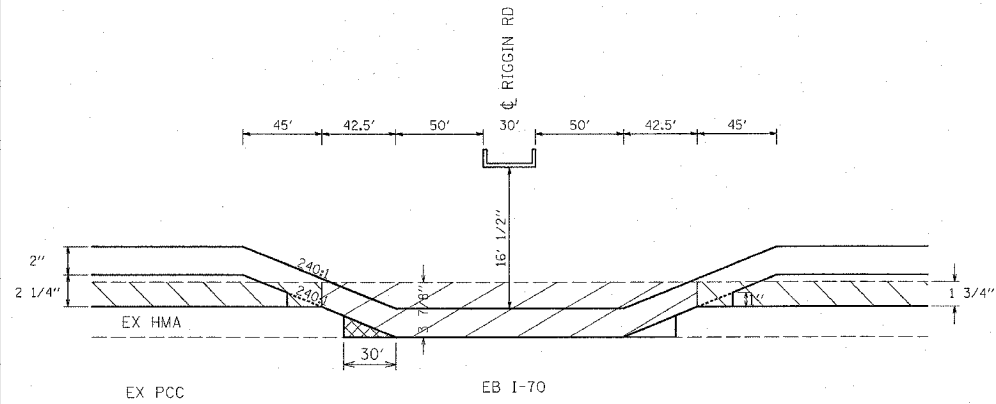
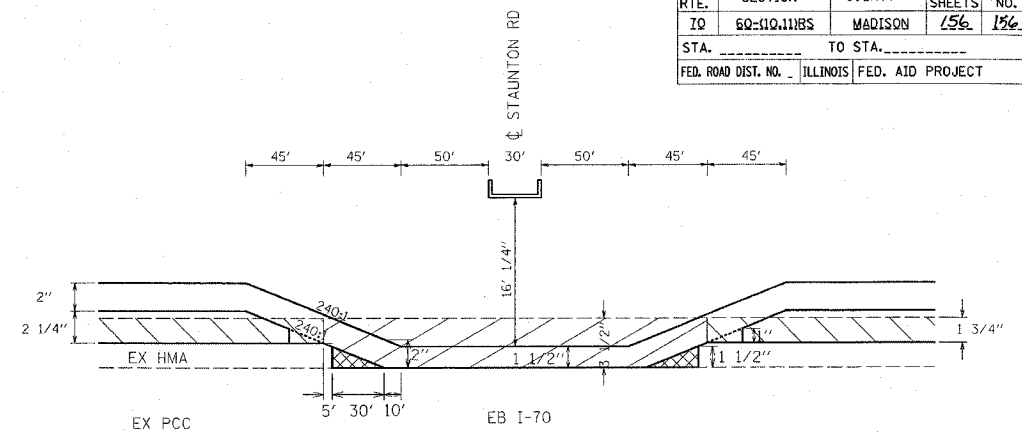


| | | | | |
|---------------------|------------|------------------|--------------|-----------|
| F.A.I. RTE. | SECTION | COUNTY | TOTAL SHEETS | SHEET NO. |
| TO | 60-10,11RS | MADISON | 156 | 156 |
| STA. | TO STA. | | | |
| FED. ROAD DIST. NO. | ILLINOIS | FED. AID PROJECT | | |



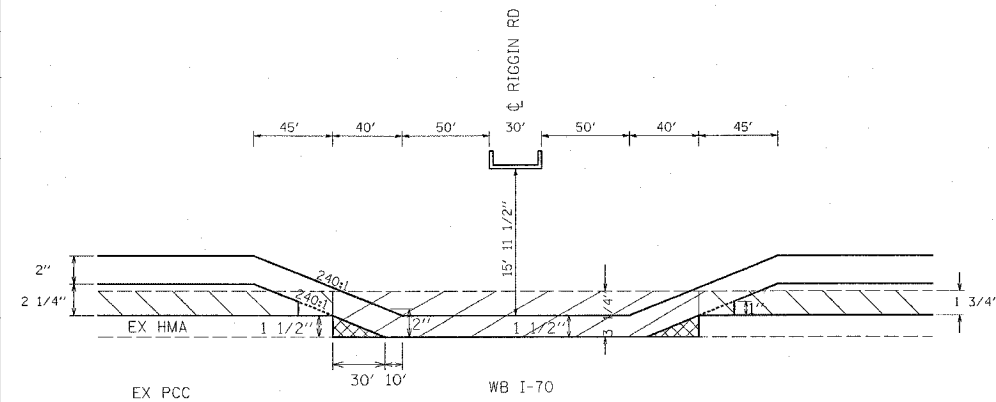
- HOT-MIX ASPHALT SURFACE REMOVAL, 1 3/4"
- HOT-MIX ASPHALT SURFACE REMOVAL, VARIABLE DEPTH
- HOT-MIX ASPHALT SURFACE REMOVAL - BUTT JOINT

MILLING DETAIL - EASTBOUND I-70 UNDER RIGGIN RD



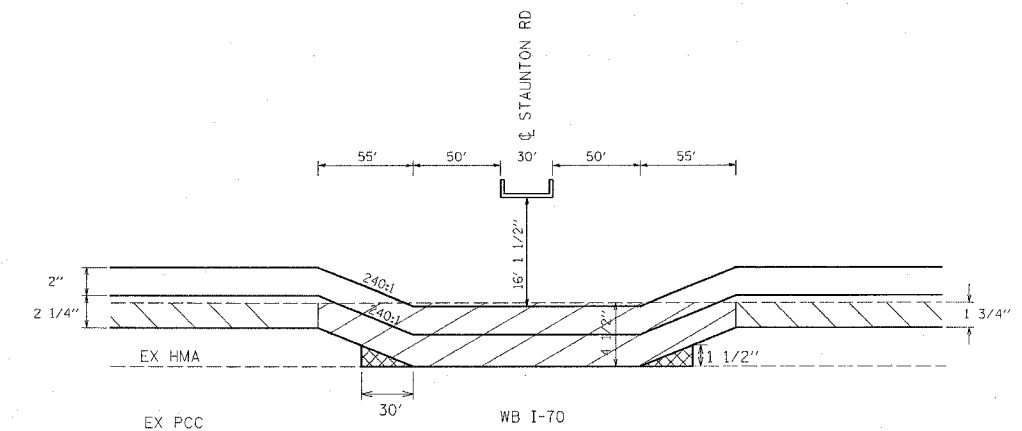
- HOT-MIX ASPHALT SURFACE REMOVAL, 1 3/4"
- HOT-MIX ASPHALT SURFACE REMOVAL, VARIABLE DEPTH
- HOT-MIX ASPHALT SURFACE REMOVAL - BUTT JOINT

MILLING DETAIL - EASTBOUND I-70 UNDER STAUNTON RD



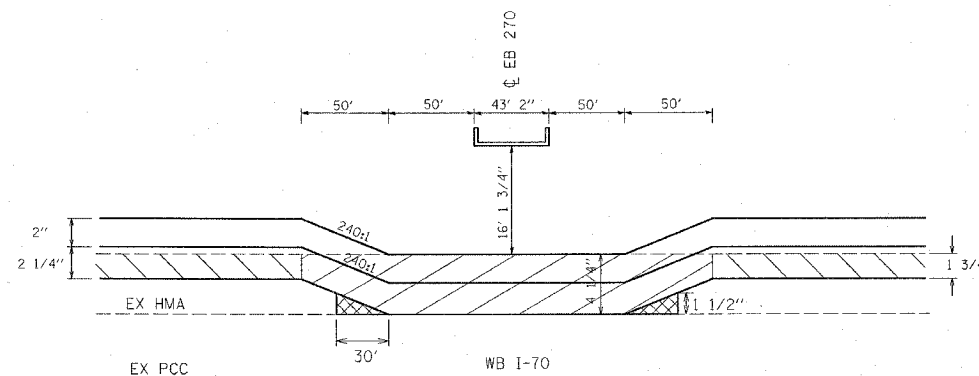
- HOT-MIX ASPHALT SURFACE REMOVAL, 1 3/4"
- HOT-MIX ASPHALT SURFACE REMOVAL, VARIABLE DEPTH
- HOT-MIX ASPHALT SURFACE REMOVAL - BUTT JOINT

MILLING DETAIL - WESTBOUND I-70 UNDER RIGGIN RD



- HOT-MIX ASPHALT SURFACE REMOVAL, 1 3/4"
- HOT-MIX ASPHALT SURFACE REMOVAL, VARIABLE DEPTH
- HOT-MIX ASPHALT SURFACE REMOVAL - BUTT JOINT

MILLING DETAIL - WESTBOUND I-70 UNDER STAUNTON RD



- HOT-MIX ASPHALT SURFACE REMOVAL, 1 3/4"
- HOT-MIX ASPHALT SURFACE REMOVAL, VARIABLE DEPTH
- HOT-MIX ASPHALT SURFACE REMOVAL - BUTT JOINT

MILLING DETAIL - WESTBOUND I-70 UNDER EASTBOUND 270

DATE = DATE
 NAME = NAME
 SCALE = SCALE
 REFERENCE = REFERENCE

| REVISIONS | |
|-----------|------|
| NAME | DATE |
| | |
| | |
| | |
| | |
| | |
| | |
| | |
| | |
| | |
| | |

ILLINOIS DEPARTMENT OF TRANSPORTATION
RESURFACING DETAILS
 FAI ROUTE 70
 SECTION 60-10,11RS
 MADISON COUNTY

SCALE: VERT. _____
 HORIZ. _____
 DATE _____ DRAWN BY _____
 CHECKED BY _____