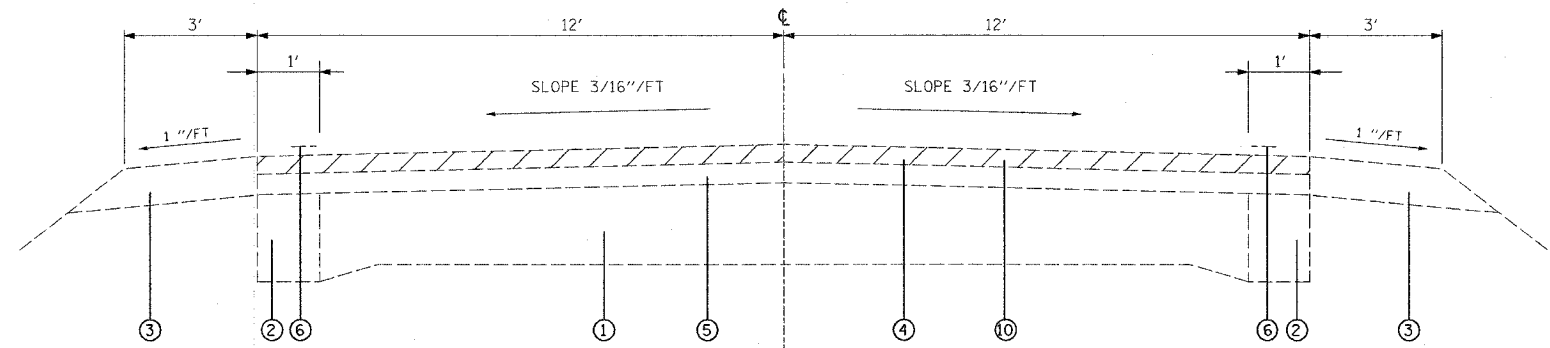


CONTRACT NO. 76904				
F.A.P. RTE.	SECTION	COUNTY	TOTAL SHEETS	SHEET NO.
592	28BR-2,3	ST. CLAIR	51	5
STA.		TO STA.		
FED. ROAD DIST. NO.		ILLINOIS	FED. AID PROJECT	



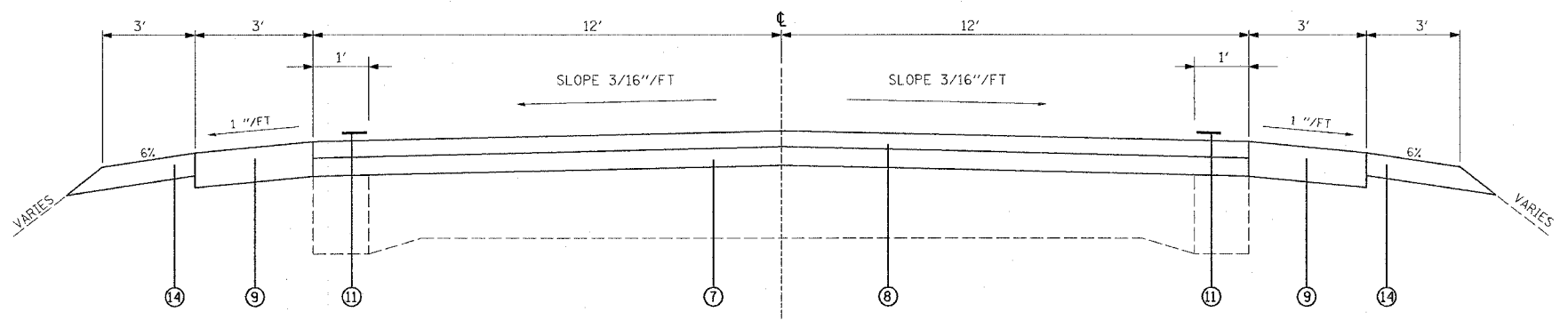
**EXISTING TANGENT SECTION**

CANAL # 1: STA. 426+56.34 TO STA. 427+06.34  
 STA. 429+49.91 TO STA. 429+99.91  
 HARDING DITCH: STA. 435+93.16 TO STA. 436+73.16  
 STA. 436+90.56 TO STA. 438+70.56

**STRUCTURAL DESIGN INFORMATION**

ROAD CLASSIFICATION: CLASS 2  
 STRUCTURAL DESIGN TRAFFIC:  
 PV=7,810 SU=228 MU=89  
 PERCENT OF STRUCTURAL DESIGN TRAFFIC IN DESIGN LANE  
 P=50% S=50% M=50%  
 MINIMUM SUBGRADE SUPPORT RATING: POOR  
 FLEXIBLE PAVEMENT DESIGN: MINIMUM  $T_F = 3.81$

SELECTED DESIGN AC TYPE 20  
 AC THICKNESS SEE TABLE 2  
 HOT-MIX ASPHALT BINDER COURSE, IL-19.0, N70, VARIES  
 HOT-MIX ASPHALT SURFACE COURSE, N70, 1 1/2"

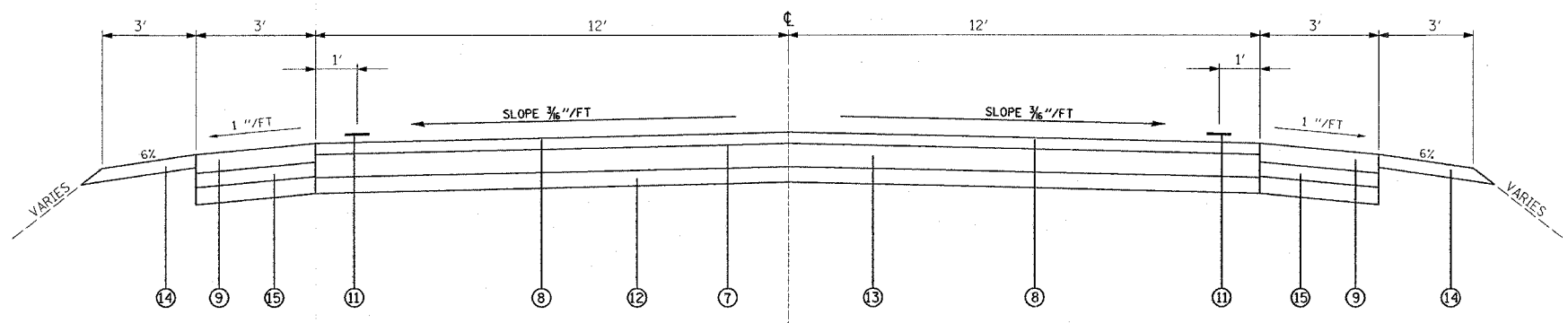


**PROPOSED TANGENT SECTION**

CANAL # 1: STA. 426+56.34 TO STA. 427+06.34  
 STA. 429+49.91 TO STA. 429+99.91  
 HARDING DITCH: STA. 435+93.16 TO STA. 436+73.16  
 STA. 436+90.56 TO STA. 438+70.56

**LEGEND**

- ① EXISTING PAVEMENT 9-6-9
- ② EXISTING BASE COURSE WIDENING, 8"
- ③ EXISTING AGGREGATE SHOULDER
- ④ EXISTING BITUMINOUS CONCRETE SURFACE COURSE, 1 1/2 "
- ⑤ EXISTING BINDER COURSE, 1 1/2 "
- ⑥ EXISTING PAVEMENT MARKING
- ⑦ PROPOSED HOT-MIX ASPHALT MATERIALS (PRIME COAT)
- ⑧ PROPOSED HOT-MIX ASPHALT SURFACE COURSE, SUPERPAVE, 1 1/2 "
- ⑨ PROPOSED HOT-MIX ASPHALT SHOULDER, 8" (CANAL #1)
- ⑩ PROPOSED BITUMINOUS SURFACE REMOVAL, 1 1/2 "
- ⑪ PROPOSED PAVEMENT MARKING
- ⑫ PROPOSED SUBBASE GRANULAR MATERIAL, TYPE B 12"
- ⑬ PROPOSED HOT MIX ASPHALT BINDER COURSE, 12 1/4 "
- ⑭ PROPOSED AGGREGATE SHOULDER, TYPE B 6"
- ⑮ PROPOSED SUBBASE GRANULAR MATERIAL, TYPE C



**PROPOSED TANGENT SECTION**

STA. 427+06.34 TO STA. 429+49.91

PLOT DATE = 2/21/2007  
 FILE NAME = c:\projects\76904\84485\plan\94485a.dgn  
 PLOT SCALE = 50.0000' / 1" IN.  
 REFERENCE = #REF#

REVISIONS	
NAME	DATE

ILLINOIS DEPARTMENT OF TRANSPORTATION  
**TYPICAL SECTIONS**  
 FAP ROUTE 592 (IL 13/157)  
 SECTION 28BR-2,3  
 ST. CLAIR COUNTY

SCALE: VERT. \_\_\_\_\_  
 HORIZ. \_\_\_\_\_

DRAWN BY \_\_\_\_\_  
 CHECKED BY \_\_\_\_\_

Rev. sheet 2-26-07