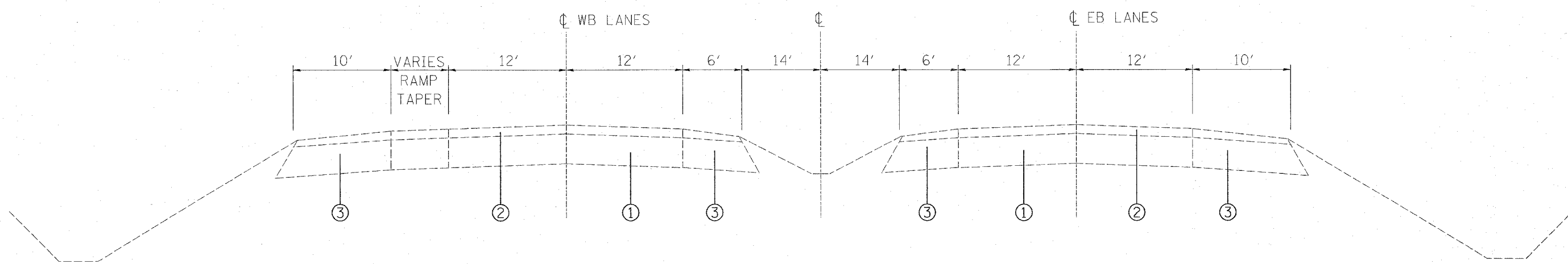


F.A.I. RTE.	SECTION	COUNTY	TOTAL SHEETS	SHEET NO.
70	60-8-1WS	MADISON	11	4
STA.		TO STA.		
FED. ROAD DIST. NO.	ILLINOIS	FED. AID PROJECT		



LEGEND

- ① EXISTING PCC PAVEMENT 10" WITH PAVEMENT FABRIC
- ② EXISTING HOT-MIX ASPHALT SURFACE 5 1/4"
- ③ EXISTING HOT-MIX ASPHALT SHOULDER 10" (WITH 5 1/4" BITUMINOUS OVERLAY)

PLOT DATE = 12/6/2006
 PLOT SCALE = 60' PER INCH
 REFERENCE = 08REF

REVISIONS	
NAME	DATE

ILLINOIS DEPARTMENT OF TRANSPORTATION
TYPICAL SECTION
 FAI ROUTE 70
 SECTION 60-8-1WS
 MADISON COUNTY

SCALE: VERT. _____
 HORIZ. _____
 DATE _____

DRAWN BY _____
 CHECKED BY _____