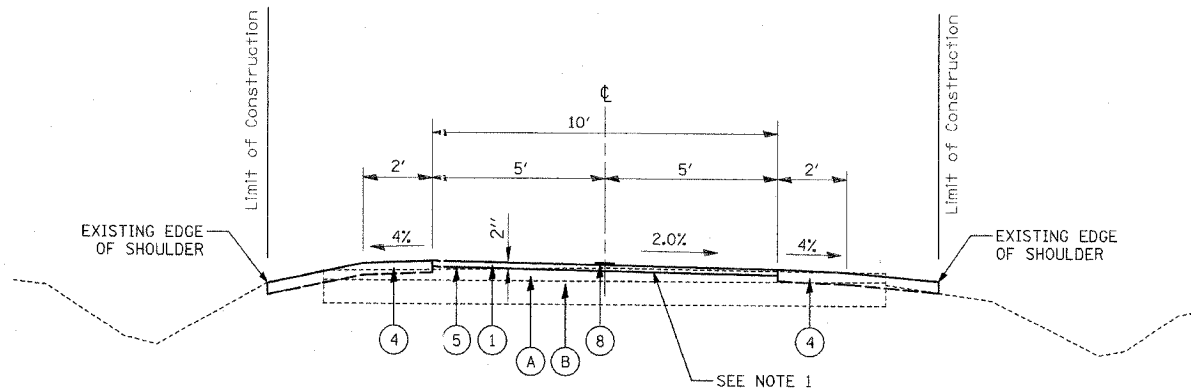
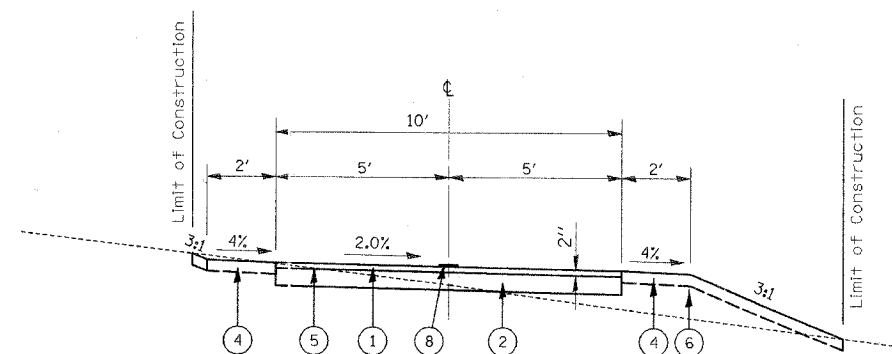


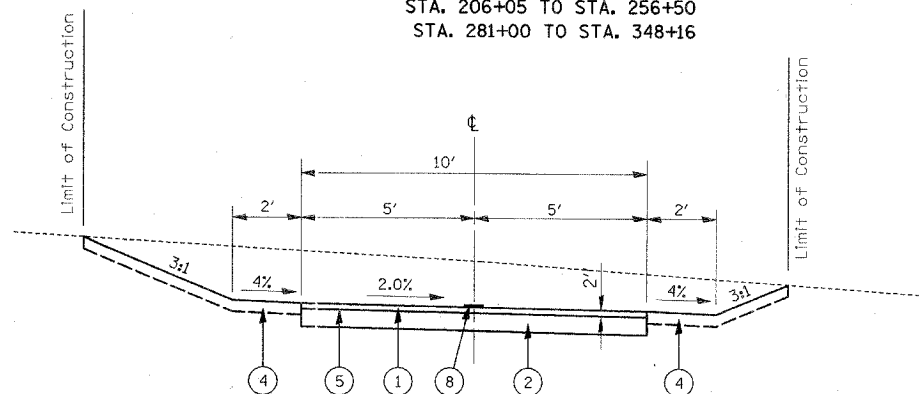
F&P NO.	SECTION	COUNTY	TOTAL SHEETS	SHEET NO.
	94-F3000-06-BT	COOK	105	4
STA.	TO STA.			
FED. ROAD DIST. NO.	ILLINOIS	83709	STPE-D001(479)	



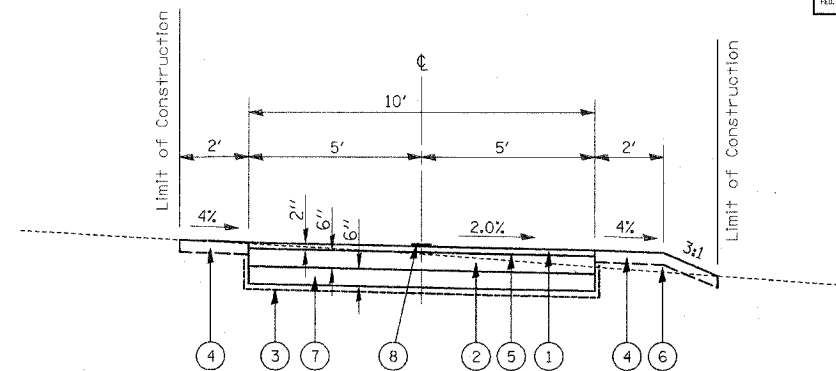
**PROPOSED TRAIL SECTION AT STOVER ROAD**  
N.T.S.  
CRABTREE STA. 1+05 TO STA. 12+70



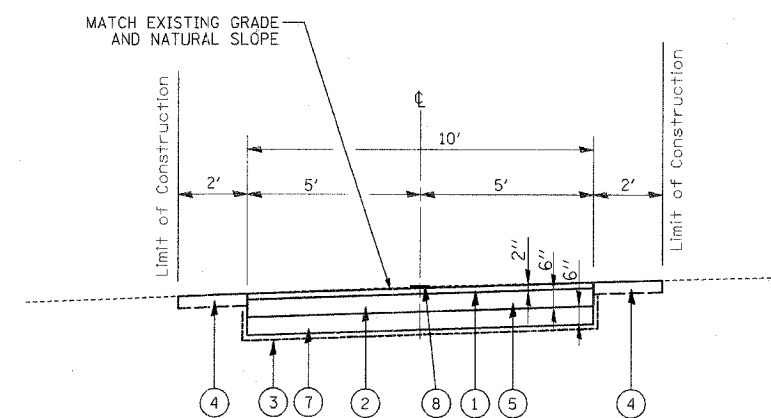
**PROPOSED TRAIL FILL SECTION**  
N.T.S.  
CRABTREE STA. 12+70 TO STA. 62+65  
PAUL DOUGLAS STA. 100+00 TO STA. 205+80  
STA. 206+05 TO STA. 256+50  
STA. 281+00 TO STA. 348+16



**PROPOSED TRAIL CUT SECTION**  
N.T.S.  
CRABTREE STA. 12+70 TO STA. 62+65  
PAUL DOUGLAS STA. 100+00 TO STA. 205+80  
STA. 206+05 TO STA. 256+50  
STA. 281+00 TO STA. 348+16



**PROPOSED TRAIL SECTION IN UNDERCUT AREAS**  
N.T.S.  
CRABTREE STA. 58+00 TO STA. 59+00  
PAUL DOUGLAS STA. 196+00 TO STA. 200+00  
STA. 201+50 TO STA. 203+50  
AND AS DETERMINED BY THE ENGINEER IN FIELD



**PROPOSED TRAIL SECTION IN FLOODWAY**  
N.T.S.  
CRABTREE STA. 22+95 TO STA. 24+40

**LEGEND**

- (A) EXISTING DETERIORATED BITUMINOUS SURFACE
- (B) EXISTING ROADWAY AGGREGATE BASE COURSE
- (1) HOT-MIX ASPHALT SURFACE COURSE, MIX "C", N50, 2"
- (2) AGGREGATE BASE COURSE, TYPE B 6"
- (3) GEOTECHNICAL FABRIC FOR GROUND STABILIZATION
- (4) TOPSOIL, 4" (PAID UNDER TOPSOIL EXCAVATION AND PLACEMENT)
- (5) BITUMINOUS MATERIAL, PRIME COAT
- (6) EMBANKMENT (PAID UNDER EARTH EXCAVATION)
- (7) POROUS GRANULAR EMBANKMENT, 6"
- (8) PAINT PAVEMENT MARKING - LINE 4"
- (9) HOT-MIX ASPHALT BINDER COURSE, IL-19.0, N50, 2 1/4"
- (10) COMBINATION CONCRETE CURB AND GUTTER, TYPE B6.24
- (11) TRENCH BACKFILL

**NOTE:**

- 1. ANY EXISTING BITUMINOUS SURFACE TO BE REMOVED ON STOVER ROAD SHALL BE MEASURED AND PAID FOR AS EARTH EXCAVATION.

ILLINOIS DEPARTMENT OF TRANSPORTATION  
DISTRICT NO. 1 SCHAUMBURG

**TYPICAL SECTIONS**

SCALE N.T.S.  
DATE 3/29/06  
DRAWN BY SMH  
CHECKED BY MPM