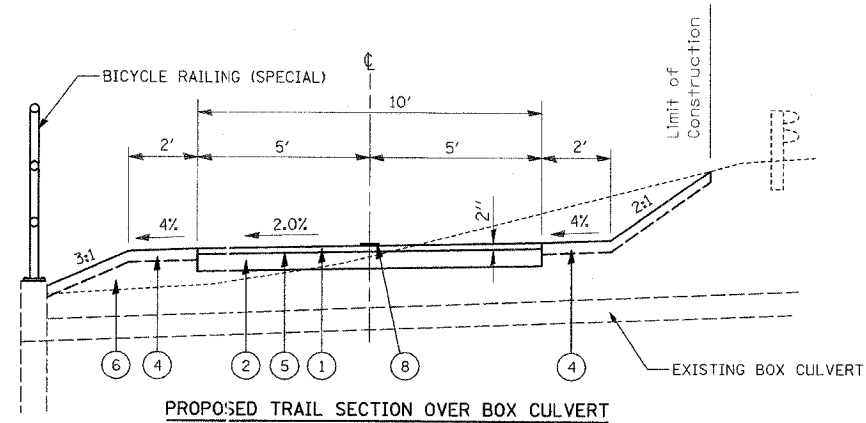
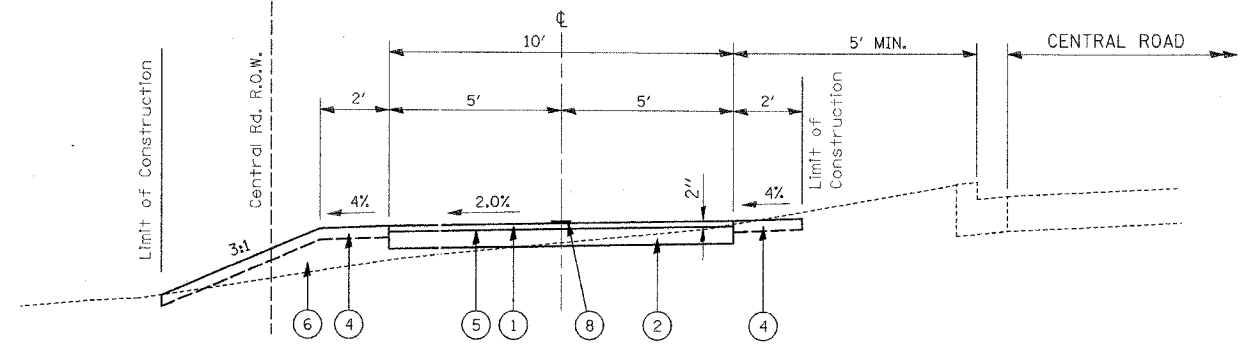


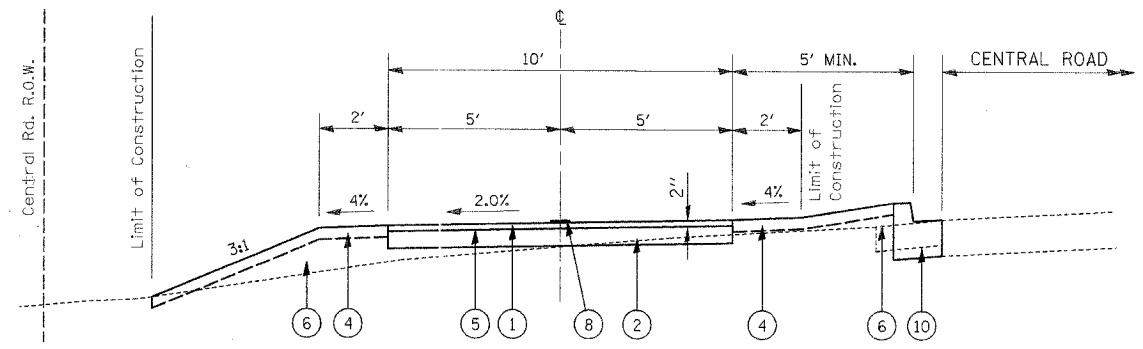
F&P ATT.	SECTION	COUNTY	TOTAL SHEETS	SHEET NO.
	94-F3000-06-BT	COOK	105	5
STA.	TO STA.			
FED. ROAD DIST. NO.	ILLINOIS	83709	STPE-000(1479)	



PROPOSED TRAIL SECTION OVER BOX CULVERT
N.T.S.
PAUL DOUGLAS STA. 216+95 TO STA. 217+20



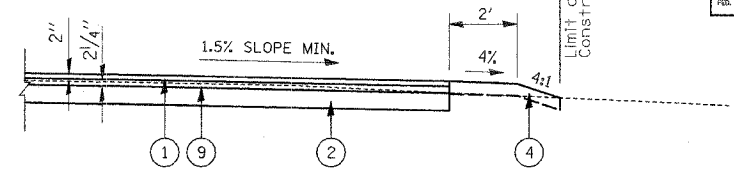
PROPOSED TRAIL SECTION AT CENTRAL ROAD
N.T.S.
PAUL DOUGLAS STA. 268+50 TO STA. 281+00



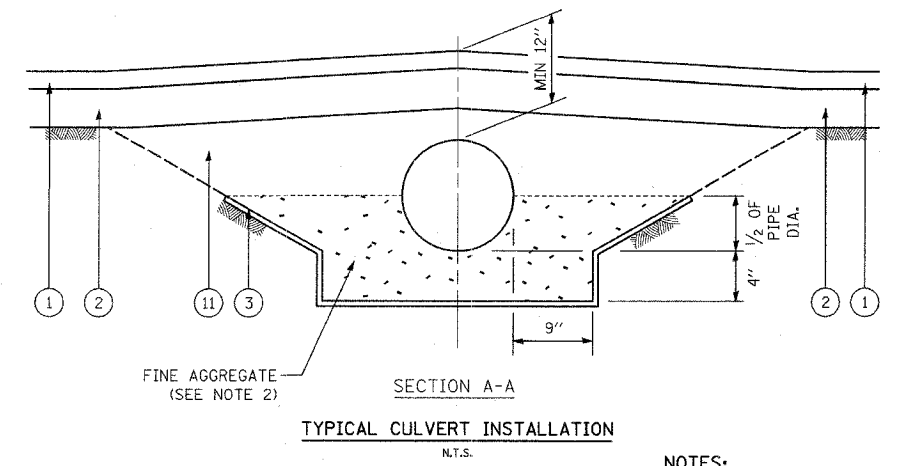
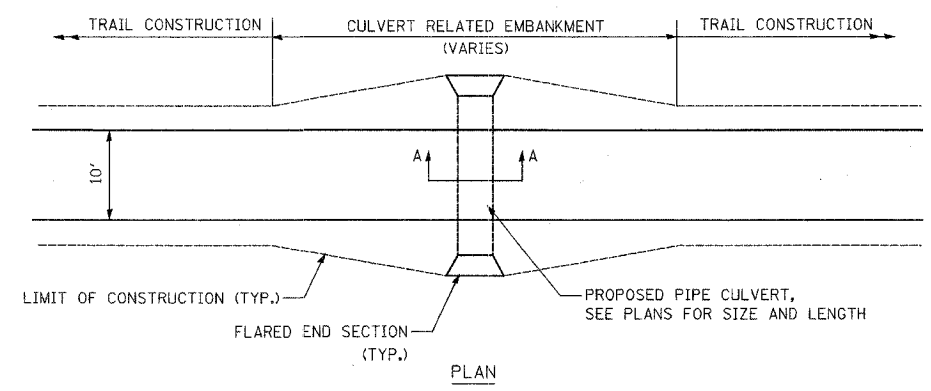
PROPOSED TRAIL SECTION AT CENTRAL ROAD
N.T.S.
PAUL DOUGLAS STA. 261+50 TO STA. 268+50

Hot-Mix Asphalt Mixture Requirements			
CODE NUMBER	MIXTURE TYPE	AC TYPE	PERCENT AIR VOIDS
40603080	HOT-MIX ASPHALT BINDER COURSE, IL-19, N50	PG 64-22/58-22*	4% @ 50 Gyr.
40603310	HOT-MIX ASPHALT SURFACE COURSE, MIX "C", N50	PG 64-22	4% @ 50 Gyr.

The Unit Weight used to calculate all Hot-Mix Asphalt Surface Mixture quantities is 112 lbs/sq yd/in.
*When RAP exceeds 20%, the new asphalt binder in the mix shall be PG 58-22.



PROPOSED PARKING LOT SECTION
N.T.S.
CRABTREE STA. 0+00 TO STA. 1+05



TYPICAL CULVERT INSTALLATION
N.T.S.

LEGEND

- (A) EXISTING DETERIORATED BITUMINOUS SURFACE
- (B) EXISTING ROADWAY AGGREGATE BASE COURSE
- (1) HOT-MIX ASPHALT SURFACE COURSE, MIX "C", N50, 2"
- (2) AGGREGATE BASE COURSE, TYPE B 6"
- (3) GEOTECHNICAL FABRIC FOR GROUND STABILIZATION
- (4) TOPSOIL, 4" (PAID UNDER TOPSOIL EXCAVATION AND PLACEMENT)
- (5) BITUMINOUS MATERIAL, PRIME COAT
- (6) EMBANKMENT (PAID UNDER EARTH EXCAVATION)
- (7) POROUS GRANULAR EMBANKMENT, 6"
- (8) PAINT PAVEMENT MARKING - LINE 4"
- (9) HOT-MIX ASPHALT BINDER COURSE, IL-19.0, N50, 2 1/4"
- (10) COMBINATION CONCRETE CURB AND GUTTER, TYPE B6.24
- (11) TRENCH BACKFILL

NOTES:

1. ADDITIONAL EMBANKMENT AND GRADING NECESSARY FOR THE CULVERT INSTALLATION SHALL BE INCIDENTAL TO THE PROPOSED DRAINAGE PIPE.
2. WITHIN WETLANDS LIMITS UNDERCUT AND BACKFILL SHALL PRECEDE BEDDING CONSTRUCTION.
3. PAYMENT FOR FINE AGGREGATE AS PIPE BEDDING SHALL BE INCIDENTAL TO THE PAYMENT OF PROPOSED PIPE CULVERTS.

ILLINOIS DEPARTMENT OF TRANSPORTATION
DISTRICT NO. 1 SCHAUMBURG

**TYPICAL SECTIONS
AND
SUPERPAVE MIX SELECTION**

SCALE N.T.S. DRAWN BY MJM
DATE 3/27/06 CHECKED BY SMH