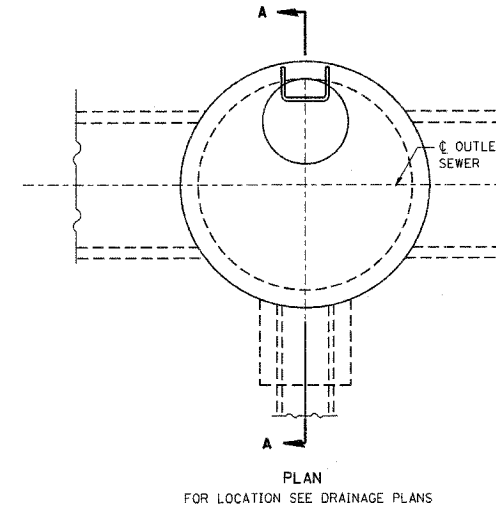
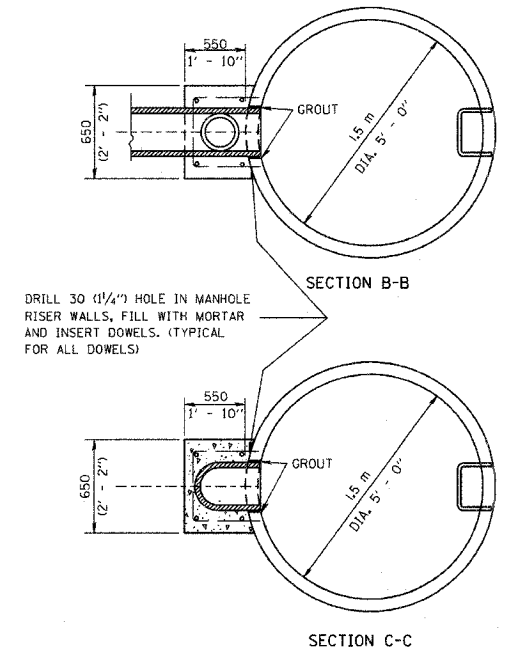
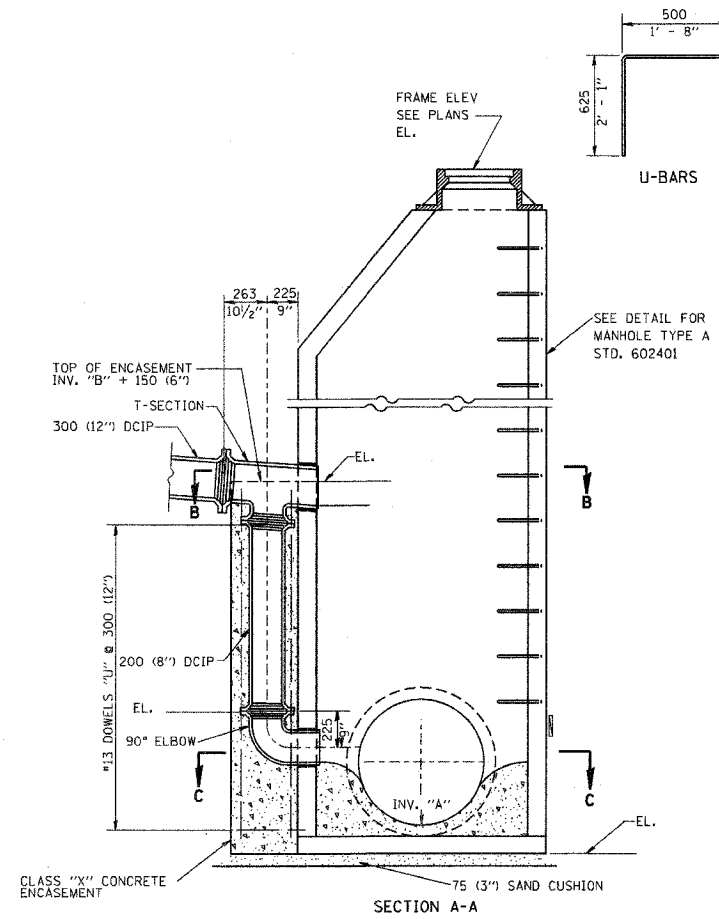


F.A. RTE.	SECTION	COUNTY	TOTAL SHEETS	SHEET NO.
		COOK	105	68
STA.		TO STA.		
FED. ROAD DIST. NO.	ILLINOIS	FED. AID PROJECT		



ENCASEMENT DETAILS	
DROP M.H. LOCATION STA., OFFSET	
INV. "A"	
INLET PIPE	
INV. "B"	
INV. "C"	
A	
B	
"V" BAR LENGTH	
NO. OF "U" BARS	
REINF. BARS	
CLASS "SI" CONC. CUBIC METER (CU. YD.)	



ALL DIMENSIONS ARE IN MILLIMETERS (INCHES) UNLESS OTHERWISE SHOWN

- TYPE A1-1 MANHOLE WITH 1 DROP AND DEPTH UP TO 3 m (10')
- TYPE A1-2 " " " " " FROM 3 m TO 1.5 m (10' TO 15')
- TYPE A1-3 " " " " " FROM 1.5 m TO 6 m (15' TO 20')
- TYPE A1-4 " " " " " OVER 6 m (20')
- TYPE A2-1 MANHOLE WITH 2 DROPS AND DEPTH UP TO 3 m (10')
- TYPE A2-2 " " " " " FROM 3 m TO 1.5 m (10' TO 15')
- TYPE A2-3 " " " " " FROM 1.5 m TO 6 m (15' TO 20')
- TYPE A2-4 " " " " " OVER 6 m (20')

REVISIONS	
NAME	DATE

ILLINOIS DEPARTMENT OF TRANSPORTATION

DROP MANHOLE DETAILS

SCALE: VERT. HORIZ. DATE: 2/15/2006

DRAWN BY CHECKED BY

BD600-05 (BD-16) REVISION DATE: