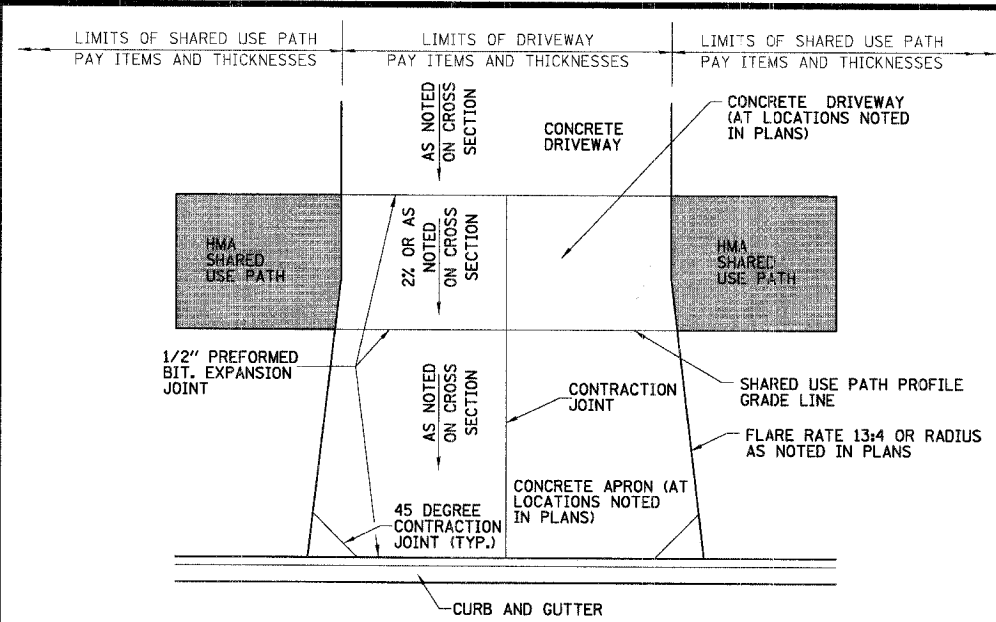
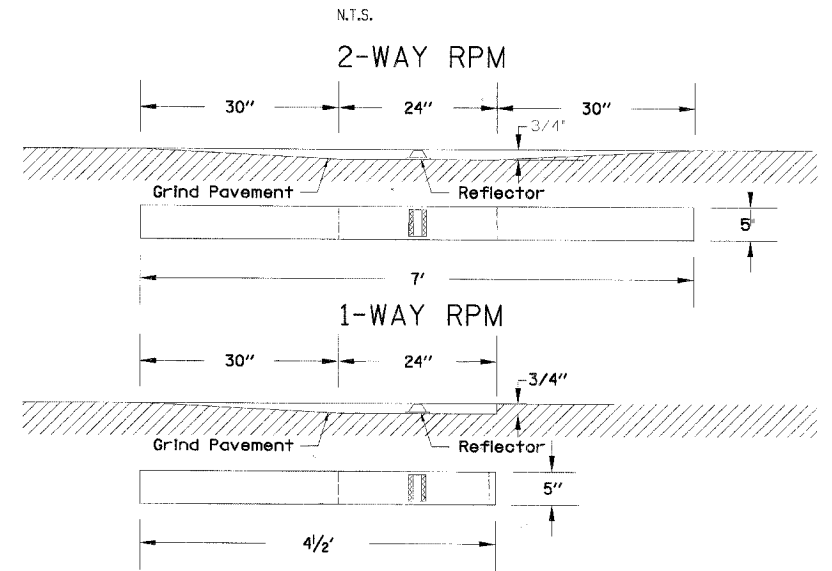


F.A.U. RTE.	SECTION	COUNTY	TOTAL SHEETS	SHEET NO.
1389	99-00062-00-PV	DUPAGE	199	98
CONTRACT NO. 83873				
FED. ROAD DIST. NO. ILLINOIS FED. AID PROJECT				

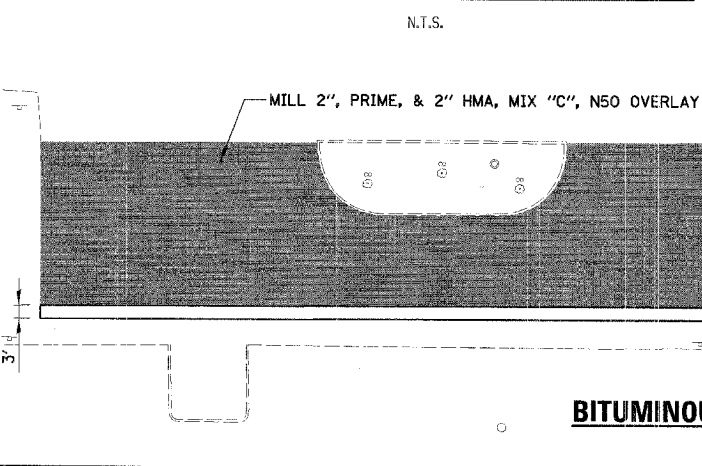


GENERAL NOTES:
1. GRADE DRIVEWAY PER SHARED USE PATH PROFILE AND CROSS SECTIONS.

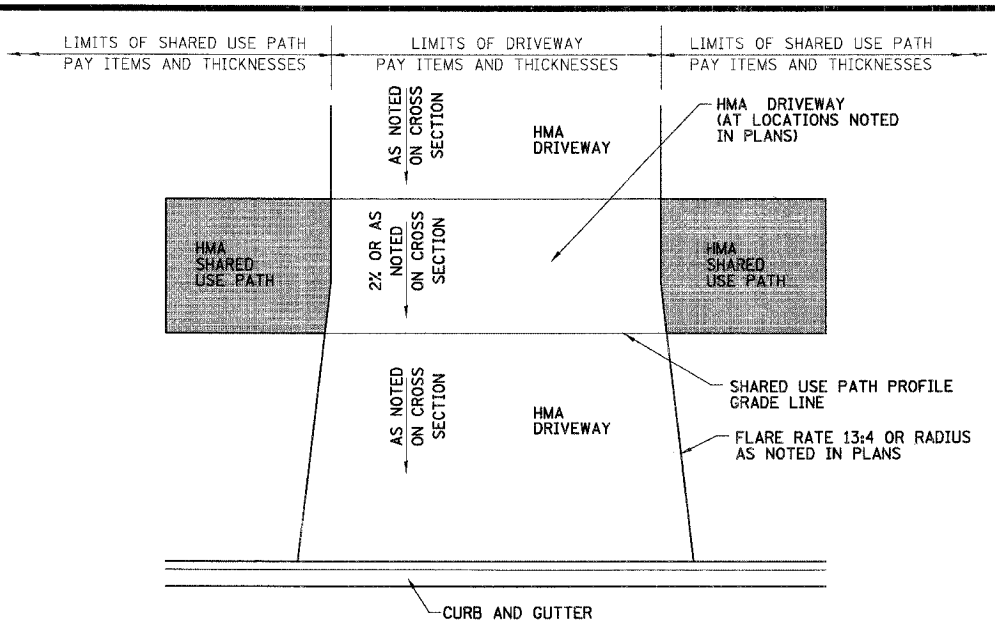
SHARED USE PATH AT PCC CONC. DRIVEWAY DETAIL



SNOWPLOWABLE RAISED PAVEMENT MARKER

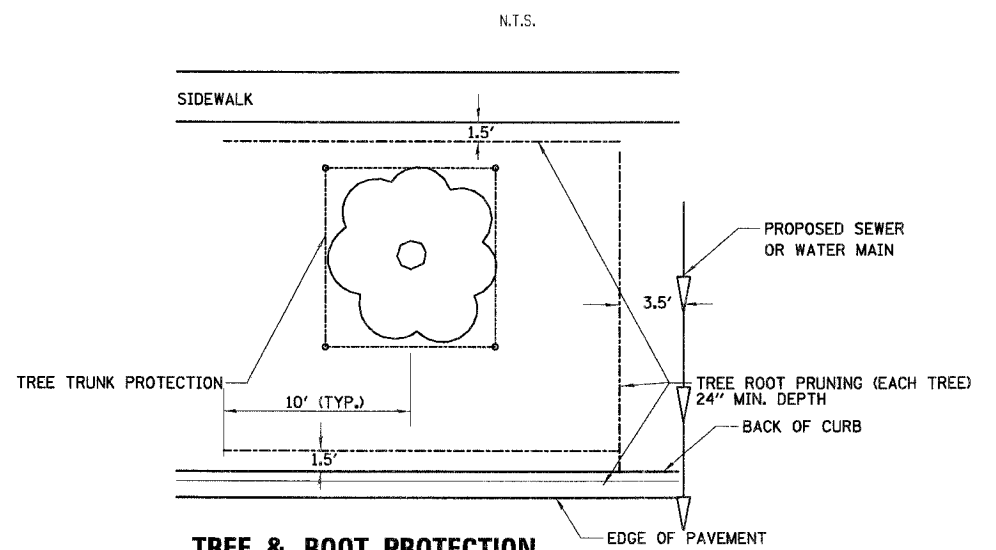


BITUMINOUS DRIVEWAY (PRIVATE) AT STA. 88 + 22 RT.

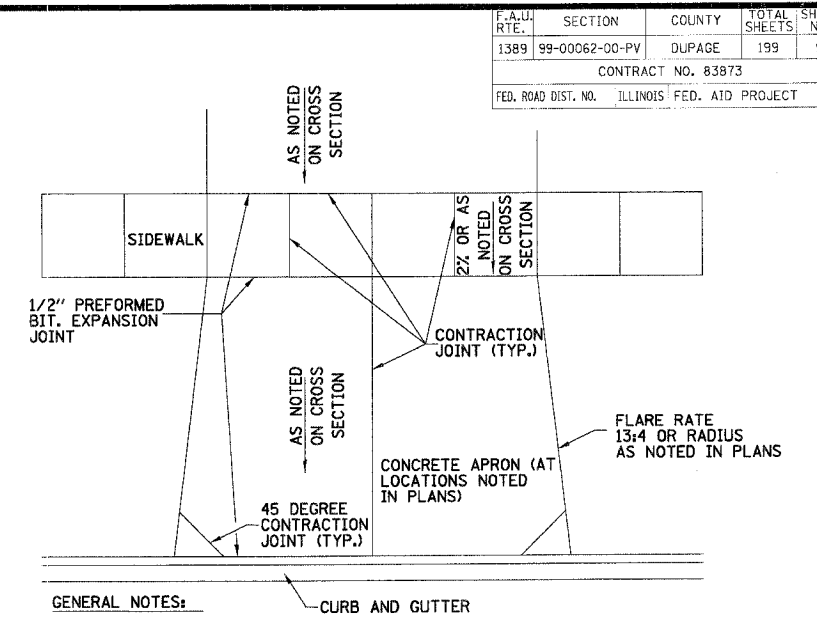
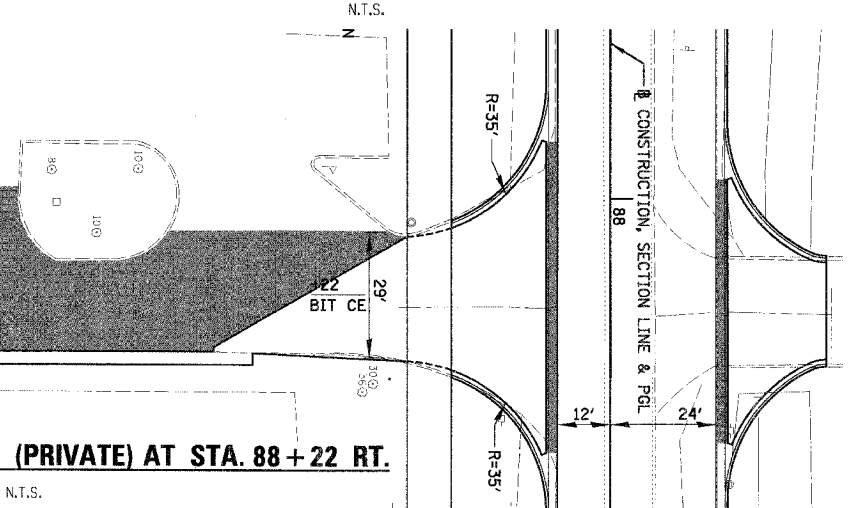


GENERAL NOTES:
1. GRADE DRIVEWAY PER SHARED USE PATH PROFILE AND CROSS SECTIONS.

SHARED USE PATH AT HOT-MIX ASPHALT (HMA) DRIVEWAY DETAIL

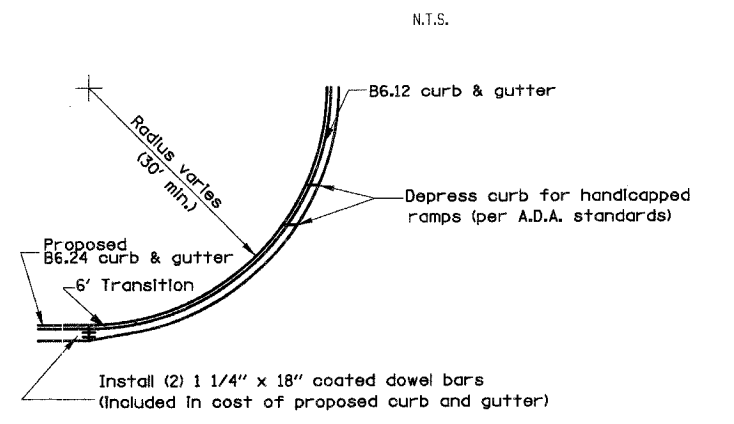


TREE & ROOT PROTECTION

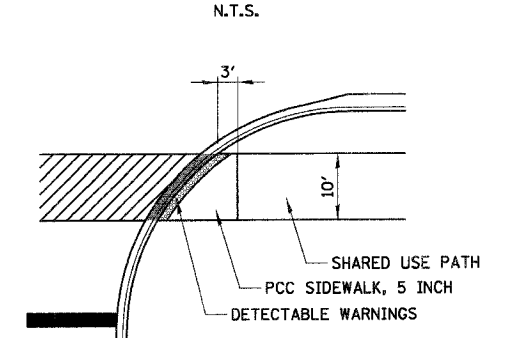


GENERAL NOTES:
1. SIDEWALK SHALL EXTEND THROUGH THE DRIVEWAY.
2. MINIMUM SIDEWALK THICKNESS FOR APRONS:
6\"/>

SIDEWALK AT DRIVEWAY DETAIL



GUTTER FLAG TRANSITION STANDARD TRANSITION



SHARED USE PATH AT INTERSECTION

PER IDOT STANDARD 424001
N.T.S.

REVISIONS		ILLINOIS DEPARTMENT OF TRANSPORTATION	
NAME	DATE	<p>HAWTHORNE LANE ROADWAY DETAILS</p> <p>SCALE: NONE DATE: 12/7/2006</p> <p>DRAWN BY: PMM DESIGN BY: BLL CHECKED BY: JCS</p>	

N:\WestCh\04479\04479.tbl