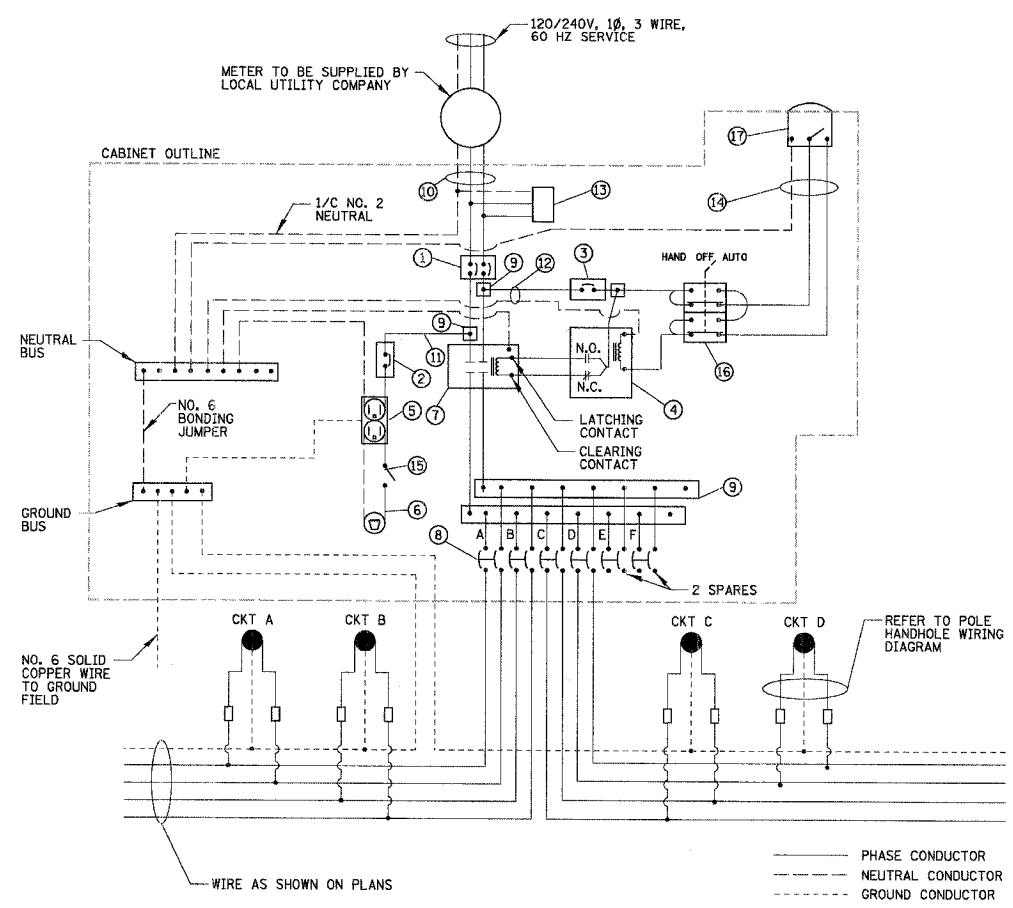


ITEM	SPECIFICATION	MANUFACTURER/MODEL NO. OR EQUAL
1 MAIN CIRCUIT BREAKER	100 AMPERE, 2 P, 240 V RATING, 22K AIC (NOTE 3)	SIEMENS NO. ED62B100
2 LAMPHOLDER CIRCUIT BREAKER	15 AMPERE, 1 P, 120 V RATING, 22K AIC	SIEMENS NO. ED41B015
3 PHOTOELECTRIC CONTROL CIRCUIT BREAKER	15 AMPERE, 1 P, 120 V RATING, 22K AIC	SIEMENS NO. ED41B015
4 AUXILIARY RELAY	120 V OPERATED SPST 60 HZ COIL 600V NORMALLY OPEN CONTACTS	MAGNECRAFT NO. W389ACX-9
5 CABINET RECEPTACLE AND BOX	COMMERCIAL GRADE GFCI 15A/120V, MOUNTED IN A WEATHERPROOF CAST ALUMINUM SINGLE GANG BOX WITH WEATHERPROOF COVER	RECEPTACLE: LEVITON NO. 8599 BOX: APPLETON NO. WSM150 COVER: APPLETON NO. WHG1
6 CABINET LIGHT AND BOX	120V WEATHERPROOF LAMPHOLDER MOUNTED IN A CAST ALUMINUM J BOX & EXT. GRADE 100W LAMP	LIGHT & BOX: RAB NO. VX100DG
7 CONTACTOR	100 AMPERE, 2 POLE, 120 V COIL, MECH. HELD	SQUARE D NO. 8903 S00 10 V02
8 BRANCH LINE CIRCUIT BREAKERS	6- 30 AMPERE, 2 P, 240 V RATING, 22K AIC	SIEMENS NO. ED42B030
9 POWER DISTRIBUTION BLOCK	600 VOLT, INSULATED, SIZE AS REQUIRED	MARATHON
10 SERVICE CABLES	3-600V (XLP-TYPE USE) NO. 2	N/A
11 LAMPHOLDER WIRE	2-600V XLP NO. 12	N/A
12 CONTROL WIRE	2-600V XLP NO. 12	N/A
13 SURGE ARRESTOR	10 K AMPERE RATING AT 750 VOLTS, 1 PHASE	SQUARE D NO. SDSA 1175
14 PHOTOELECTRIC CONTROL WIRE	3-600V XLP NO. 12	N/A
15 DOOR SWITCH	20A/120V, DOOR MOUNTED SNAP ACTION TYPE PLUNGER SWITCH	OMRON NO. A-206Q-K
16 HAND-AUTO-OFF CONTROL SWITCH	20A, 3 POS. IN INDUSTRIAL DUTY ENCLOSURE	SQUARE D NO. 9001 KYK 111
17 PHOTOCELL	120V, MTD. ON CABINET, DELAY TYPE, SPST-NC	FISHER PIERCE NO. FFFA-105
18 GROUND AND NEUTRAL BUS	600V, ALUMINUM ALLOY, SIZE AS REQUIRED	ILSCO NO. NB-120

- NOTES:
- ALL ITEMS LISTED IN LIGHTING CONTROLLER COMPONENT SCHEDULE SHALL BE CONSIDERED INCIDENTAL TO THE PRICE BID FOR "LIGHTING CONTROLLER" INCLUDING CABINET AND FOUNDATION.
  - THE LIGHTING CONTROLLER TOGETHER WITH ALL OF ITS COMPONENTS SHALL BE UL LISTED AS AN "ENCLOSED INDUSTRIAL CONTROL PANEL" UNDER UL508A.
  - CONNECTION OF SURGE ARRESTOR TO LINE SIDE OF MAIN CIRCUIT BREAKER SHALL NOT BE "DOUBLE LUGGED."

**TYPICAL LIGHTING CONTROLLER COMPONENT SCHEDULE**  
N.T.S.



**TYPICAL LIGHTING CONTROLLER WIRING DETAIL**  
N.T.S.

CIRCUIT ID	50W PEDESTRIAN LUMINAIRE		250W ROADWAY LUMINAIRE		TOTAL CIRCUIT LOAD (WATTS)
	QTY.	LOAD/LUMINAIRE (WATTS)	QTY.	LOAD/LUMINAIRE (WATTS)	
A	5	68W	5	291W	1795W
B	-	68W	6	291W	1746W
C	5	68W	5	291W	1795W
D	-	68W	4	291W	1164W
TOTAL	10	N/A	20	N/A	6500W

**CONTROLLER #C1 LIGHTING CIRCUIT WATTAGE LOADS**

CIRCUIT ID	50W PEDESTRIAN LUMINAIRE		250W ROADWAY LUMINAIRE		TOTAL CIRCUIT LOAD (WATTS)
	QTY.	LOAD/LUMINAIRE (WATTS)	QTY.	LOAD/LUMINAIRE (WATTS)	
A	5	68W	6	291W	2086W
B	-	68W	6	291W	1746W
C	-	68W	4	291W	1164W
D	3	68W	3	291W	1077W
TOTAL	8	N/A	19	N/A	6073W

**CONTROLLER #C3 LIGHTING CIRCUIT WATTAGE LOADS**

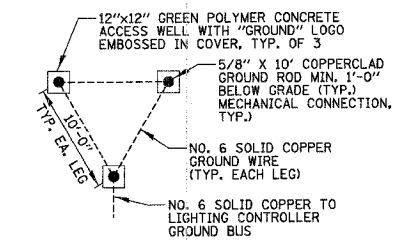
CIRCUIT ID	50W PEDESTRIAN LUMINAIRE		250W ROADWAY LUMINAIRE		TOTAL CIRCUIT LOAD (WATTS)
	QTY.	LOAD/LUMINAIRE (WATTS)	QTY.	LOAD/LUMINAIRE (WATTS)	
A	-	68W	6	291W	1746W
B	5	68W	5	291W	1795W
C	-	68W	6	291W	1746W
D	4	68W	5	291W	1727W
TOTAL	9	N/A	22	N/A	7014W

**CONTROLLER #C2 LIGHTING CIRCUIT WATTAGE LOADS**

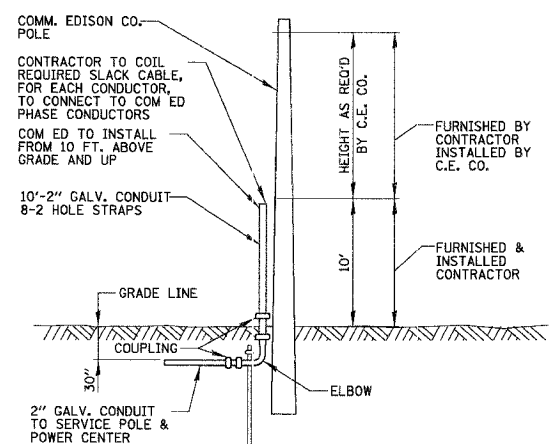
CIRCUIT ID	50W PEDESTRIAN LUMINAIRE		250W ROADWAY LUMINAIRE		TOTAL CIRCUIT LOAD (WATTS)
	QTY.	LOAD/LUMINAIRE (WATTS)	QTY.	LOAD/LUMINAIRE (WATTS)	
A	4	68W	4	291W	1436W
B	-	68W	4	291W	1164W
C	6	68W	6	291W	2154W
D	-	68W	5	291W	1455W
TOTAL	10	N/A	19	N/A	6209W

**CONTROLLER #C4 LIGHTING CIRCUIT WATTAGE LOADS**

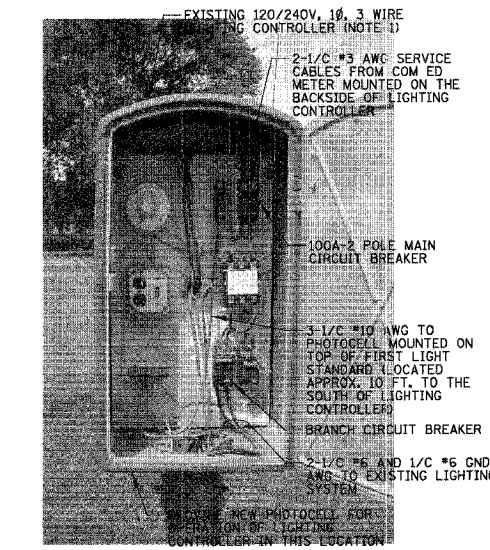
NOTE:  
ALL CONDUCTORS IN THE UNIT DUCT RUNS SHALL HAVE COLOR CODED INSULATION THROUGHOUT THE ENTIRE LENGTH OF THE CONDUCTOR. THE COLOR IDENTIFICATION FOR THE SYSTEM GROUND SHALL BE GREEN. THE PHASE CONDUCTORS SHALL BE PER IDOT STANDARD 1066.02 (A).



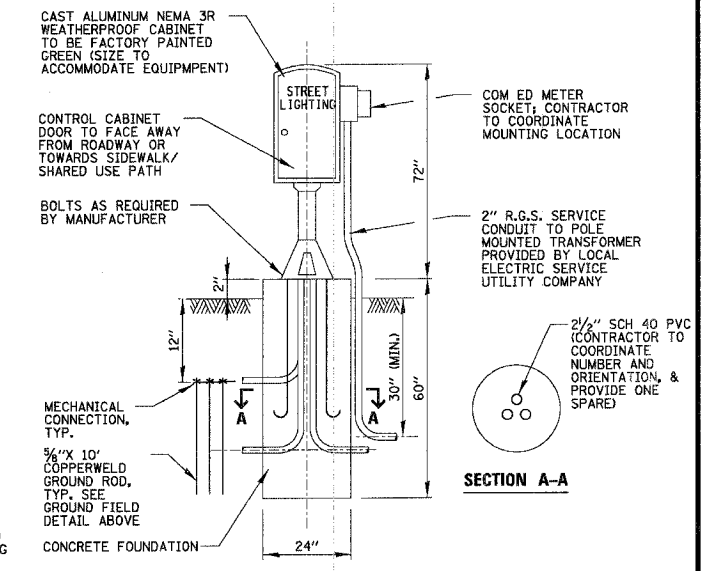
**GROUND FIELD DETAIL (TYP.)**  
N.T.S.



**COM ED OVERHEAD CONNECTION POLE**  
N.T.S.



**EXISTING LIGHTING CONTROLLER TO BE RELOCATED**  
N.T.S.



**TYPICAL LIGHTING CONTROLLER CABINET AND FOUNDATION**  
N.T.S.

REVISIONS		ILLINOIS DEPARTMENT OF TRANSPORTATION	
NAME	DATE	LIGHTING DETAILS-1 HAWTHORNE LANE	
		SCALE: 1:50	DRAWN BY GAH
		DATE 12/7/2006	DESIGN BY GAH
			CHECKED BY JPC

N:\CDDT\0142282\Delany\_S\01422822\_S.TB1