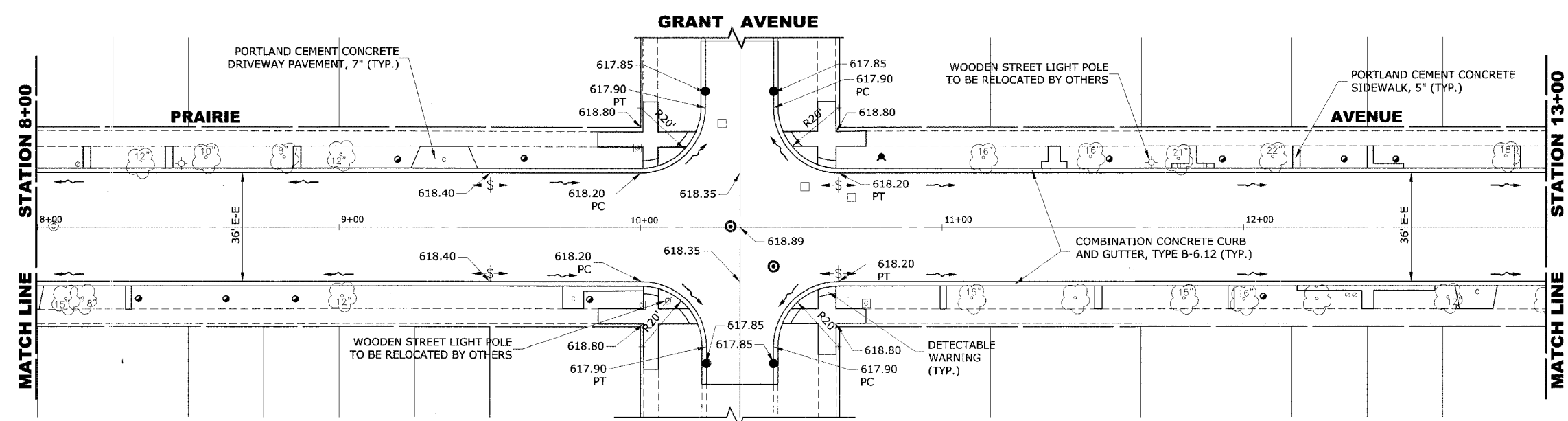
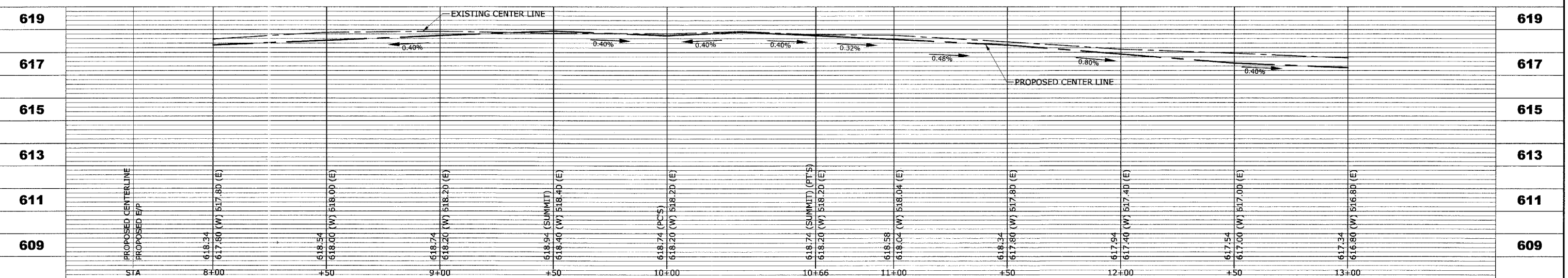


EXISTING TOPOGRAPHY



PROPOSED IMPROVEMENTS



<p>HANCOCK ENGINEERING</p> <ul style="list-style-type: none"> Civil Engineers Municipal Consultants Established 1911 	<p>9933 Roosevelt Road Westchester, Illinois 60154-2780 Phone: 708/865-0300 Fax: 708/865-1212</p>	<p>PRAIRIE AVENUE IMPROVEMENTS PHASE II VILLAGE OF BROOKFIELD, ILLINOIS</p>	<p>EXISTING AND PROPOSED PAVING PLAN AND PROFILE</p>	<p>SCALE: H: 1"=20', V: 1"=2'</p>	<p>SHEET 11 OF 47</p>
				<p>DRAWN BY: MK/LEV BOOK NO.: #1475, #1504 DATE: 10-6-06 E.H.E. NO.: 125-04-26301</p>	

Drawing file: W:\Projects\12504263 - Prairie Ave 2nd Phase\Praine\Profile.dwg Oct 05, 2006 - 3:10pm