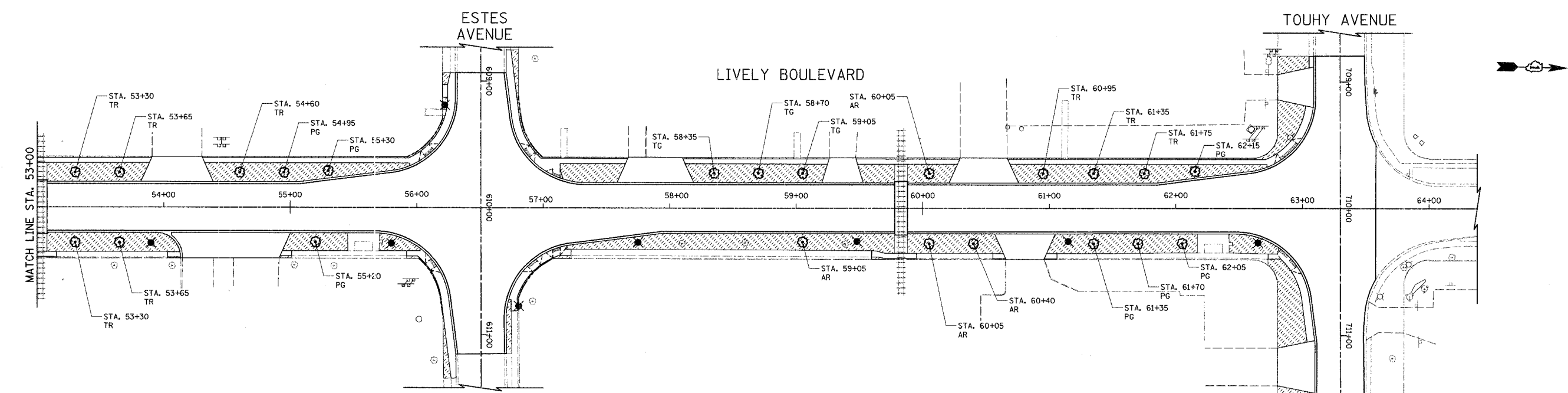
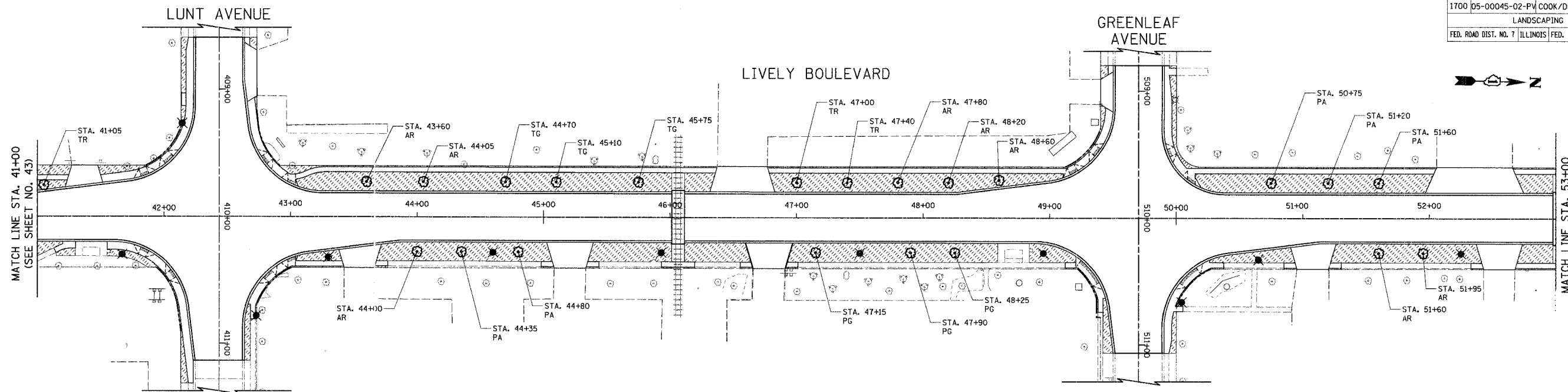






F.A.U. RITE	SECTION	COUNTY	TOTAL SHEETS	SHEET NO.
1700	D5-00045-02-PV	COOK/DUPAGE	103	44
LANDSCAPING PLAN				
FED. ROAD DIST. NO. 7 ILLINOIS FED. AID PROJECT W-80031544				



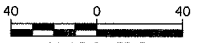
LEGEND

-  TOPSOIL FURNISH AND PLACE, 4" SODDING
-  PROPOSED TREE (CENTERED BETWEEN CURB AND SIDEWALK)
-  EXISTING TREE TO REMAIN
-  PROPOSED LIGHTING UNIT (SEE SHEET NO. 57-59 FOR LOCATIONS)
- AR RED MAPLE
- PA ARISTOCRAT CALLERY PEAR
- PG CHANTICLEER PEAR
- TR REDMOND LINDEN
- TG GREENSPIRE LINDEN

ILLINOIS DEPARTMENT OF TRANSPORTATION

LANDSCAPING PLAN

LIVELY BOULEVARD
STA. 41+00 TO STA. 63+58



SCALE IN FEET

DATE: 01/29/07
DESIGNED BY: KRK
CHECKED BY: JRV