

PLOT DATE & DATE
 PLOTTED
 PLOT SCALE & SCALE
 REFERENCE & REF.

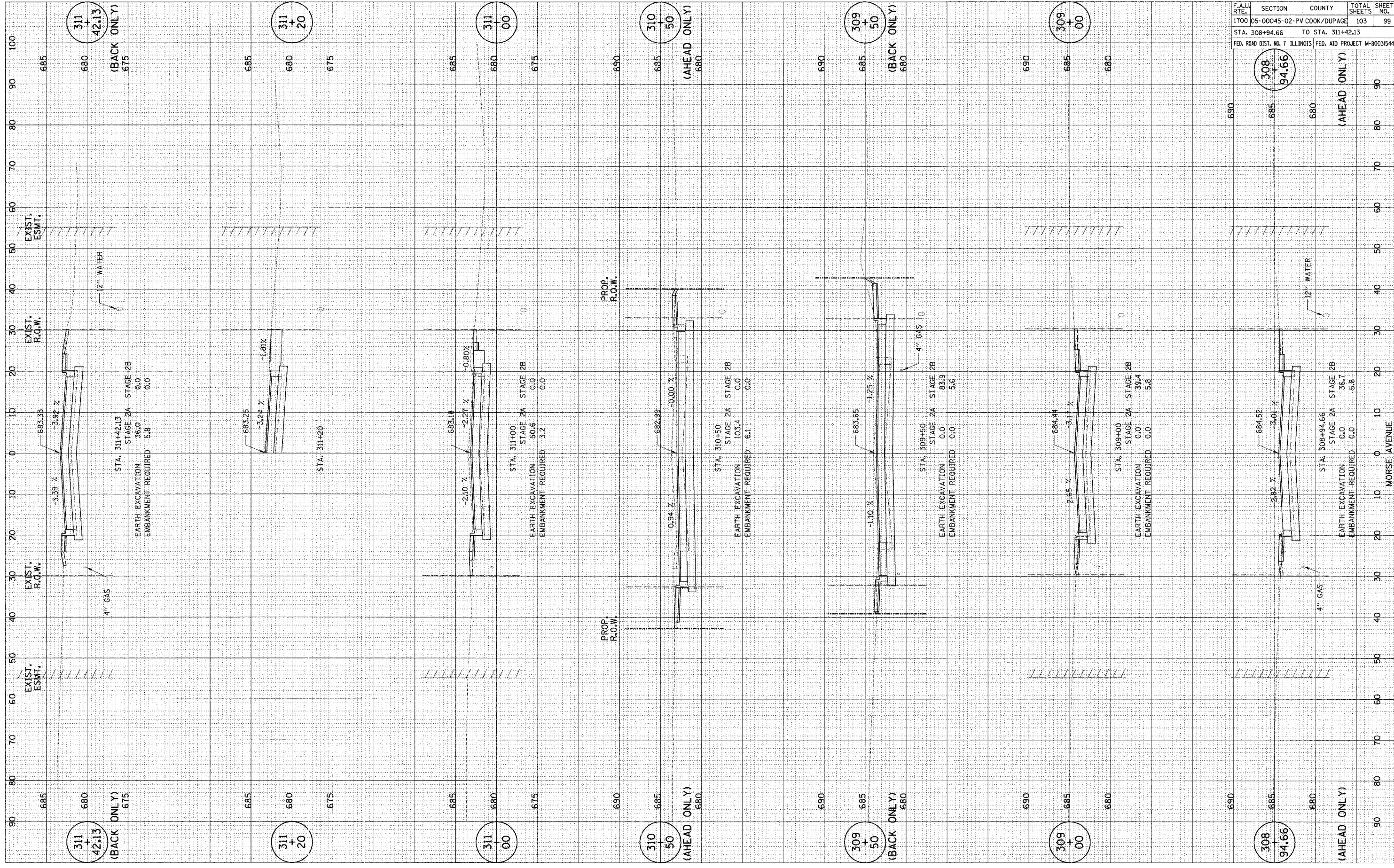
SURVEY
 NOTE BOOK
 NO.

SURVEY
 NOTE BOOK
 NO.

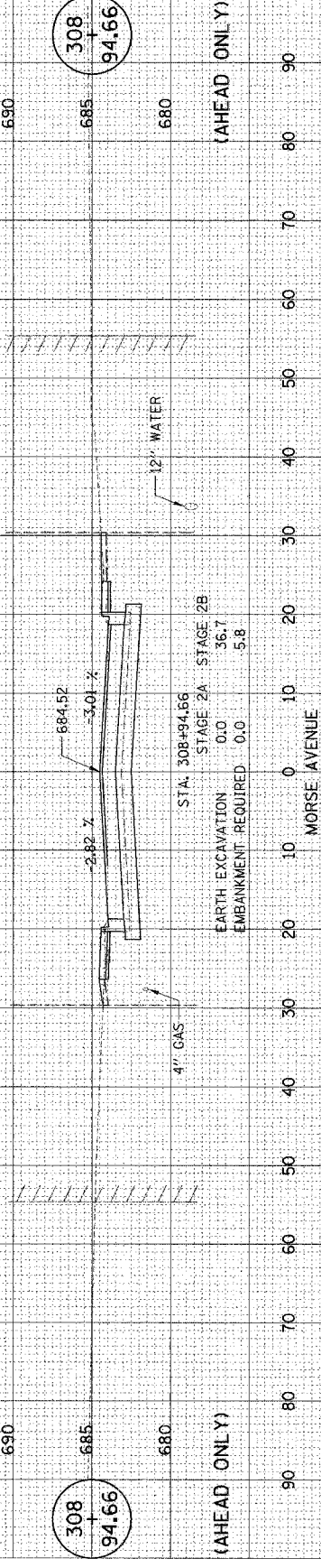
SURVEY
 NOTE BOOK
 NO.

SURVEY
 NOTE BOOK
 NO.

SURVEY
 NOTE BOOK
 NO.



| CONTRACT NO. 83883 | | | | |
|--|----------------|-------------|--------------|-----------|
| F.A.U. RTE. | SECTION | COUNTY | TOTAL SHEETS | SHEET NO. |
| 1700 | 05-00045-02-PV | COOK/DUPAGE | 103 | 99 |
| STA. 308+94.66 TO STA. 311+42.13 | | | | |
| FED. ROAD DIST. NO. 7 ILLINOIS FED. AID PROJECT M-80035441 | | | | |



MORSE AVENUE