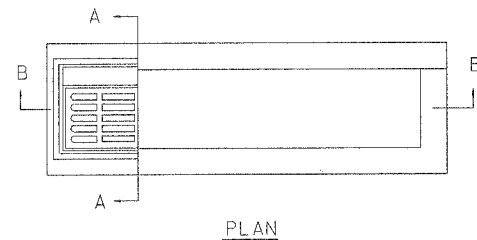
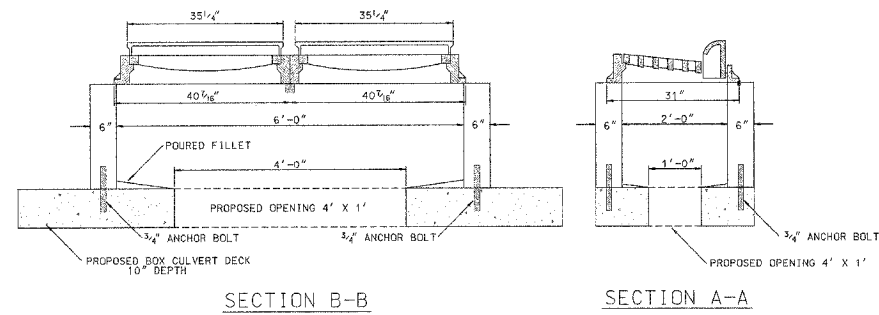


FILE NO.	SECTION	COUNTY	TOTAL SHEETS	SHEET NO.
178	03-00287-00-BR	LEE	18	9
STA. 19+96		TO STA. 19+96		
FED. ROAD DIST. NO.	ILLINOIS	FED. AID PROJECT		

### INLETS, SPECIAL 2' X 6' BOX

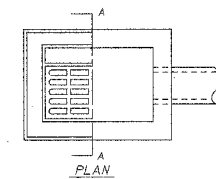
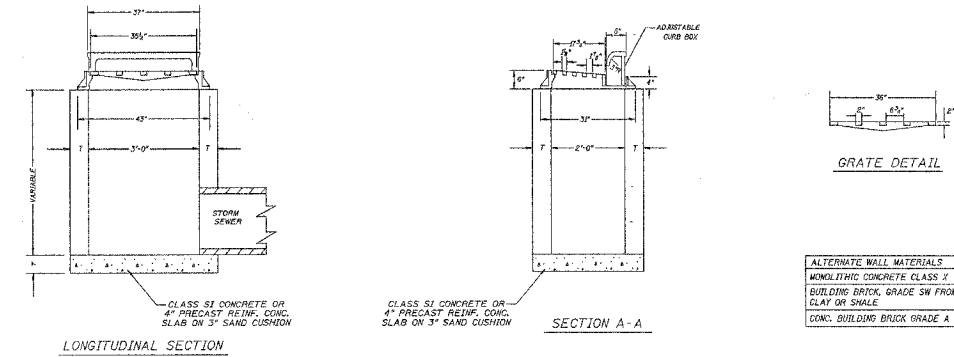


**NOTES:**  
 THE INLET (SPECIAL) SHALL BE CAST IN PLACE.  
 HERE ON, INLET SPECIAL 2' X 6' WITH FRAME AND GRATE SHALL BE CONSTRUCTED IN ACCORDANCE WITH SEC. 602 OF THE STANDARD SPECIFICATIONS.  
 THE CONTRACT UNIT PRICE FOR EACH INLET (SPECIAL) SHALL INCLUDE THE COST OF FURNISHING ALL MATERIALS REQUIRED TO BUILD THE INLET BOX, FRAME AND GRATE, AND ANCHOR BOLTS.  
 CLASS S1 CONCRETE SHALL BE USED THROUGHOUT.  
 THE HEIGHT OF THE BOX MAY BE CONSTRUCTED 6" SHORT TO ALLOW FOR FIELD ADJUSTMENTS.  
 THE WALL ADJUSTMENTS SHALL BE MADE WITH CONCRETE BUILDING BRICK OR CLASS S1 CONCRETE.  
 ANCHOR BOLTS SHALL BE CAST INTO THE SLAB AT A DEPTH OF 6" INTO THE TOP SLAB OF THE CULVERT DECK AND SHALL BE SPACED ON 15" CENTERS ON BOTH SIDES OF THE BOX.  
 THE FRAME AND GRATE USED SHALL BE NEENAH R-3295-2 OR APPROVED EQUAL.

INLETS, SPECIAL  
 STANDARD: WHA 615

**WILLETT, HOFMANN & ASSOCIATES, INC.**  
 CONSULTING ENGINEERS  
 Land Surveying - Transportation - Structural - Environmental - Architecture  
 809 East Second Street, Dixon, Illinois 61021  
 Phone: 815-244-3300 Fax: 815-244-3399  
 Design Firm #164-00078  
 www.willett.com

### INLETS, TYPE B, SPECIAL WITH FRAME AND GRATE



**NOTES:**  
 THE INLET, TYPE B, SPECIAL WITH FRAME AND GRATE SHALL BE PRECAST OR CAST IN PLACE, EXCEPT AS NOTED HERE AND SHALL BE CONSTRUCTED IN ACCORDANCE WITH SEC. 602 OF THE STANDARD SPECIFICATIONS.  
 THE CONTRACT UNIT PRICE FOR EACH INLETS, TYPE B, SPECIAL WITH FRAME AND GRATE SHALL INCLUDE THE COST OF FURNISHING ALL MATERIALS AND LABOR REQUIRED TO CONSTRUCT THE INLET BOX, FRAME AND GRATE.  
 CLASS S1 CONCRETE OR PRECAST CONCRETE SHALL BE USED THROUGHOUT.  
 THE HEIGHT OF THE BOX MAY BE CONSTRUCTED 6" SHORT TO ALLOW FOR FIELD ADJUSTMENTS.  
 THE WALL ADJUSTMENTS SHALL BE MADE WITH CONCRETE BUILDING BRICK OR CLASS S1 CONCRETE.  
 ALL VOIDS AROUND PIPE ENTRANCE, BOTH INSIDE AND OUTSIDE, SHALL BE SEALED WITH MORTAR, AND THE FLOOR SHALL BE FINISHED WITH CLASS S1 CONCRETE SO THAT THERE IS NO STANDING WATER IN THE INLET.

ALTERNATE WALL MATERIALS	T
MASONRY CONCRETE CLASS X	6"
BUILDING BRICK, GRADE SW FROM	8"
CLAY OR SHALE	
CONC. BUILDING BRICK GRADE A	8"

INLETS, TYPE B, SPECIAL  
 WITH FRAME AND GRATE  
 STANDARD: WHA 622

**WILLETT, HOFMANN & ASSOCIATES, INC.**  
 CONSULTING ENGINEERS  
 Land Surveying - Transportation - Structural - Environmental - Architecture  
 809 East Second Street, Dixon, Illinois 61021  
 Phone: 815-244-3300 Fax: 815-244-3399  
 Design Firm #164-00078  
 www.willett.com

INLETS DETAILS  
 PERU STREET OVER BR. OF PAW PAW RUN  
 SECTION 03-00287-00-BR  
 LEE COUNTY  
 WHA # 1231003