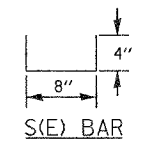
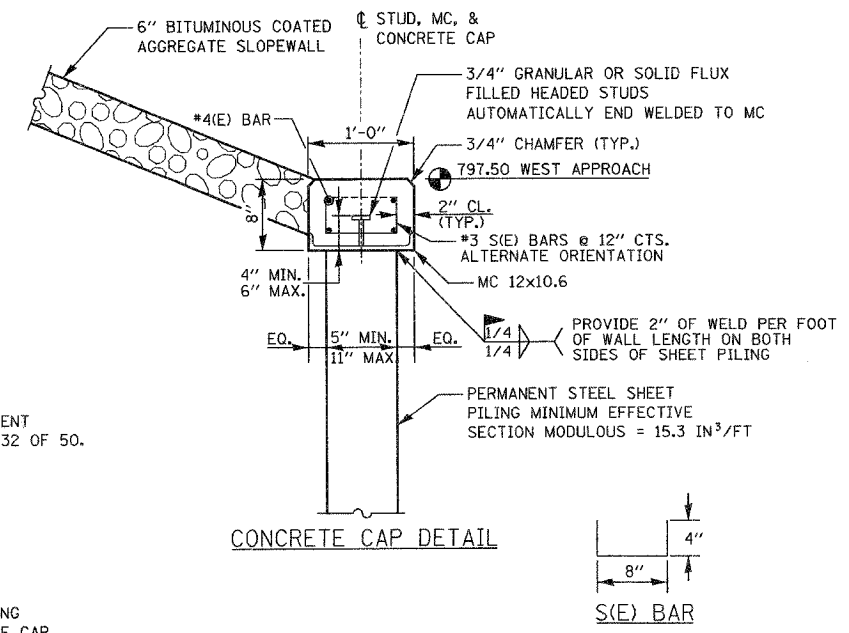
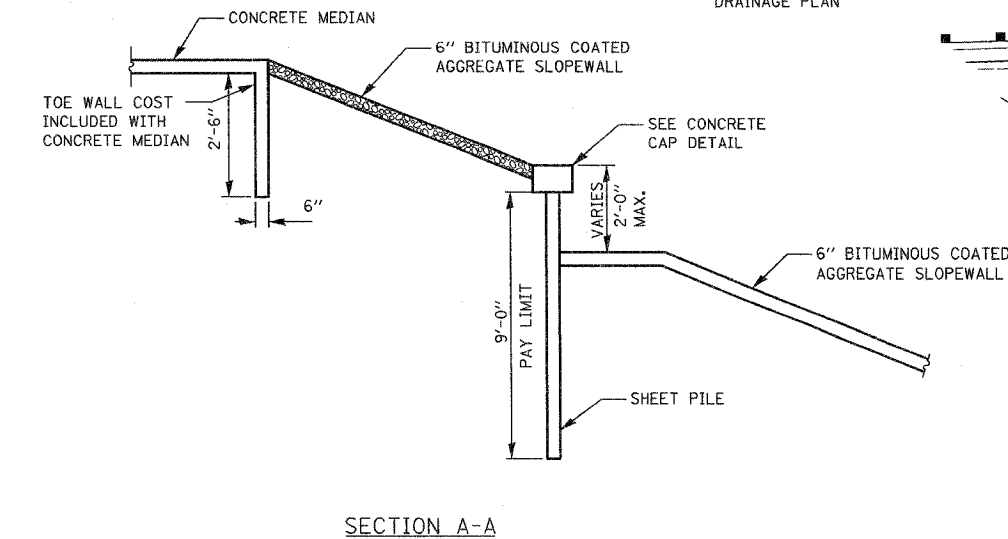
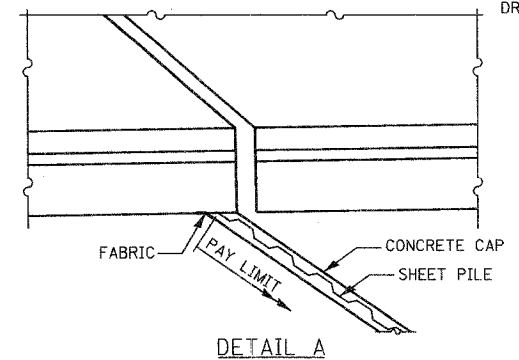
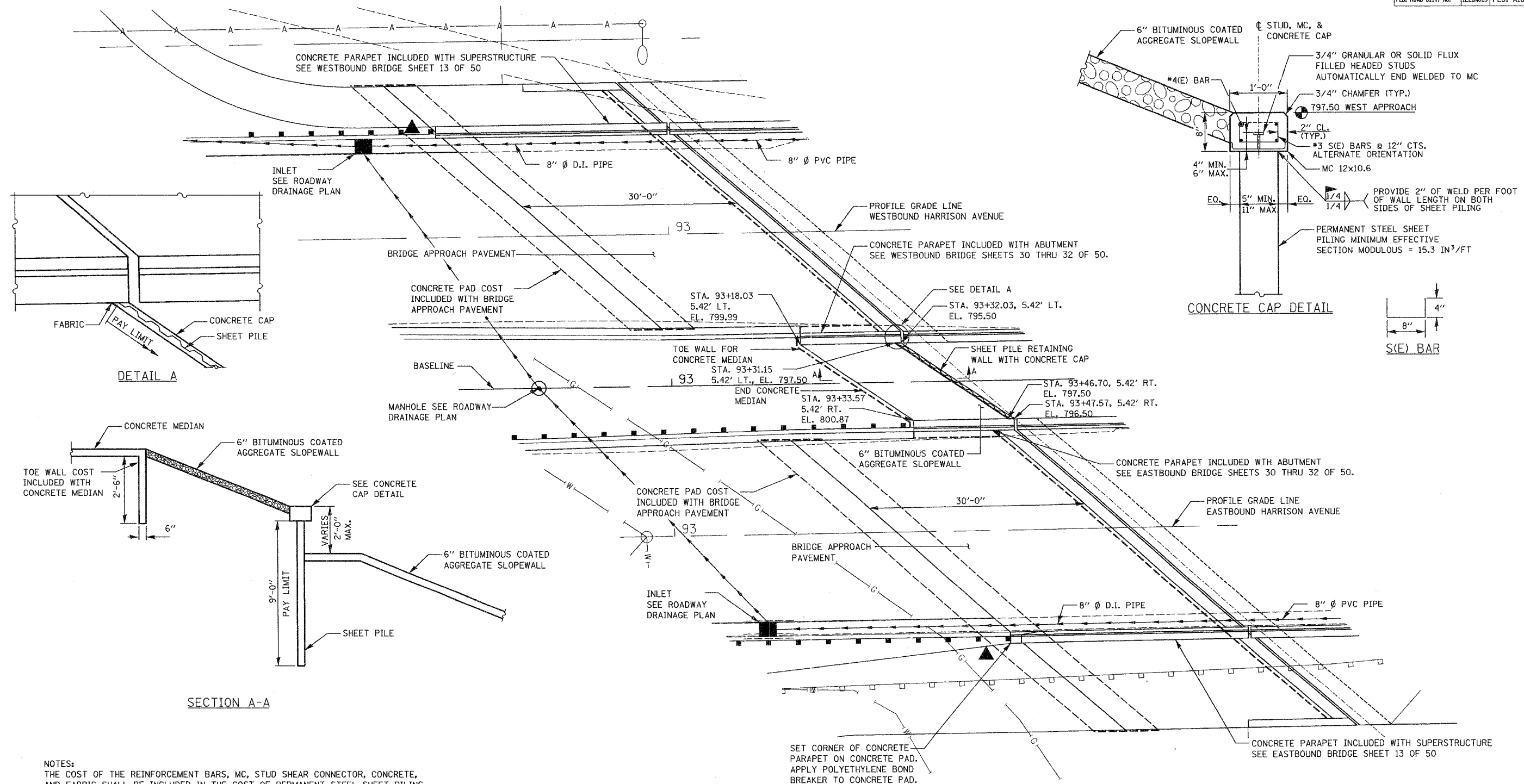


F.A.P. RTE.	SECTION	COUNTY	TOTAL SHEETS	SHEET NO.
525	02-00518-00-BR	WINNEBAGO	157	13
STA.		TO STA.		
FED. ROAD DIST. NO.		ILLINOIS	FED. AID PROJECT	



NOTES:
 THE COST OF THE REINFORCEMENT BARS, MC, STUD SHEAR CONNECTOR, CONCRETE, AND FABRIC SHALL BE INCLUDED IN THE COST OF PERMANENT STEEL SHEET PILING.

REINFORCEMENT BARS DESIGNATED (E) SHALL BE EPOXY COATED.

EPOXY COATED BARS SHALL BE IN ACCORDANCE WITH SECTION 503.

THE MC MEMBER SHALL BE IN ACCORDANCE WITH SECTION 505.

THE STUD SHEAR CONNECTOR SHALL BE IN ACCORDANCE WITH SECTION 505.

THE CONCRETE SHALL BE CLASS SI IN ACCORDANCE WITH SECTIONS 503 AND 1020.

THE FABRIC SHALL BE IN ACCORDANCE WITH ARTICLE 1080.03 AND SHALL OVERLAP THE WINGWALL BY 2'-0" AND THE SHEET PILE WALL BY 2'-0".

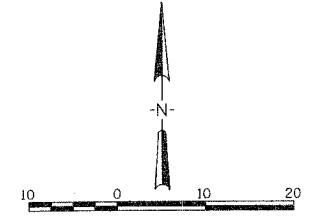
STATIONING AND OFFSET ARE DEFINED WITH RESPECT TO THE BASE LINE.

WEST APPROACH PAVEMENT

▲ NOTCH SLEEPER PAD AS REQUIRED TO FACILITATE THE INSTALLATION OF THE TERMINAL BARRIER POSTS.

BILL OF MATERIALS

ITEM	UNIT	TOTAL
PERMANENT STEEL SHEET PILING	SQ FT	171
BRIDGE APPROACH PAVEMENT	SQ YD	228



REVISIONS	
NAME	DATE

ILLINOIS DEPARTMENT OF TRANSPORTATION
 SECTION 02-00518-00-BR
 WINNEBAGO COUNTY
 HARRISON AVENUE OVER UPRR AND CC&PRR

WEST APPROACH PAVEMENT PLAN

SCALE: VERT. _____
 HORIZ. _____
 DATE 12/14/06

DRAWN BY _____
 CHECKED BY _____

HANSON Professional Services Inc.
 LAYOUT OPS 05/03/05
 DRAWN JIM 10/25/06
 REVIEWED FLN 10/25/06
 12/14/06 12:49 PM
 10/25/06 10:30 AM
 10/25/06 10:30 AM