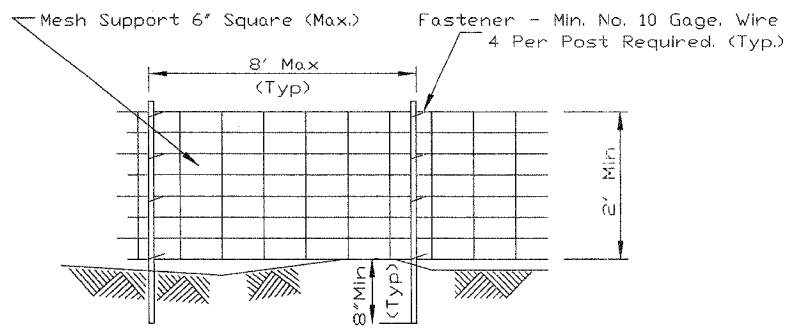
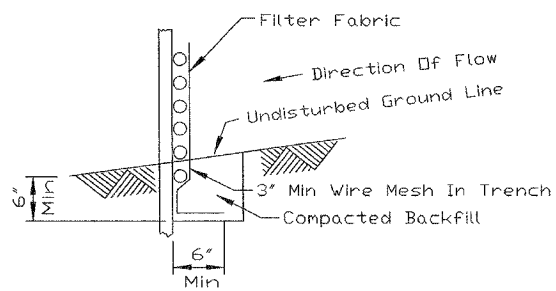


F.A.P. RTE.	SECTION	COUNTY	TOTAL SHEETS	SHEET NO.
525	02-00518-00-BR	WINNEBAGO	157	25
STA.	TO STA.			
FED. ROAD DIST. NO.	ILLINOIS	FED. AID PROJECT		

SILT FENCE WITH WIRE SUPPORT PLAN



ELEVATION



FABRIC ANCHOR DETAIL

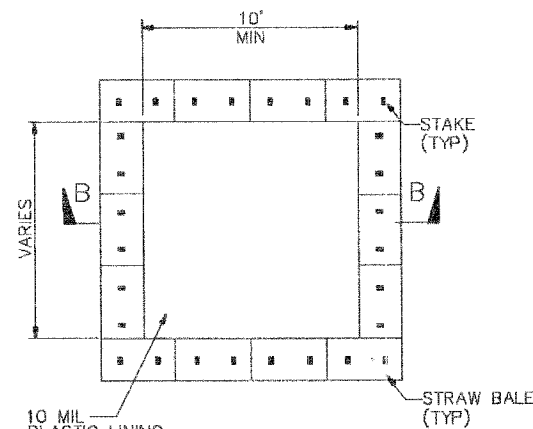
NOTES:

1. Wires of mesh support shall be min. gage no. 12.
2. Temporary sediment fence shall be installed prior to any grading work in the area to be protected. They shall be maintained throughout the construction period and removed in conjunction with the final grading and site stabilization.
3. Filter fabric shall meet the requirements of material specification 592 Geotextile Table 1 or 2, Class I with equivalent opening size of at least 30 for nonwoven and 50 for woven.
4. Fence posts shall be either standard steel post or wood post with a minimum cross-sectional area of 3.0 sq. in.

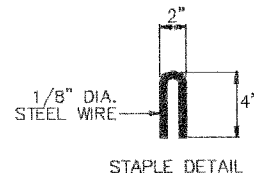
REFERENCE	Project	Date
	Designed	Date
	Checked	Date
	Approved	Date



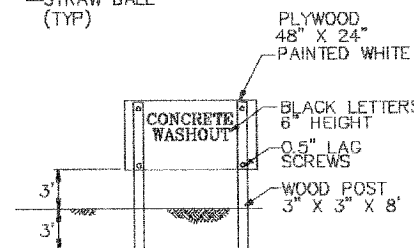
STANDARD DWG. NO.	IL-620W
SHEET	1 OF 2
DATE	3-3-95



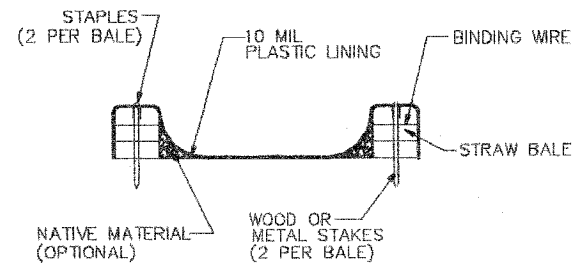
PLAN NOT TO SCALE TYPE "ABOVE GRADE" WITH STRAW BALES



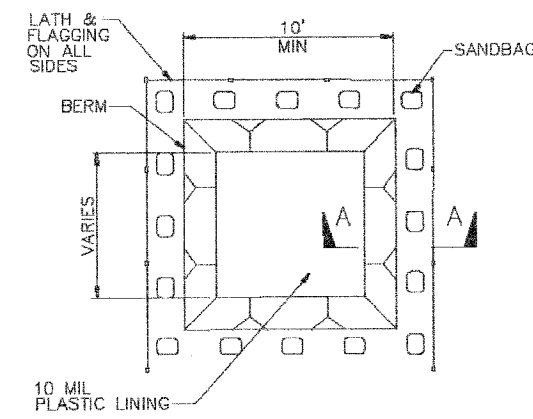
STAPLE DETAIL



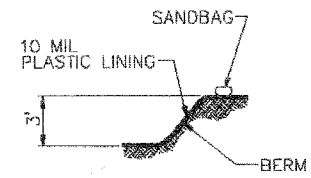
CONCRETE WASHOUT SIGN DETAIL (OR EQUIVALENT)



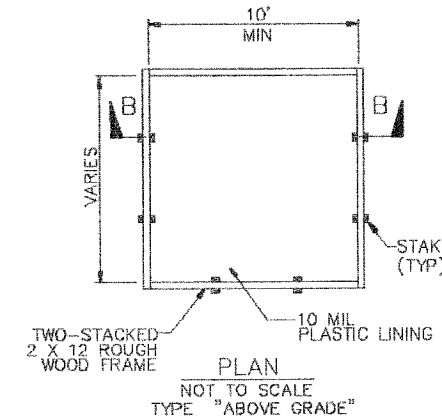
SECTION B-B NOT TO SCALE



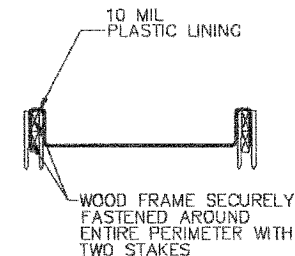
PLAN NOT TO SCALE TYPE "BELOW GRADE"



SECTION A-A NOT TO SCALE



PLAN NOT TO SCALE TYPE "ABOVE GRADE"

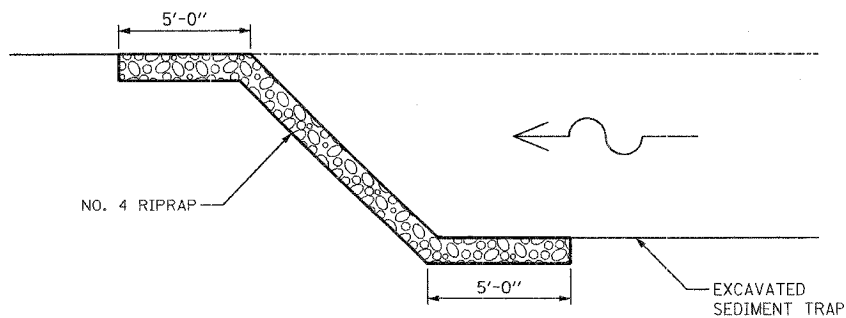


SECTION B-B NOT TO SCALE

NOTES

1. ACTUAL LAYOUT DETERMINED IN FIELD.
2. THE CONCRETE WASHOUT SIGN SHALL BE INSTALLED WITHIN 30 FT. OF THE TEMPORARY CONCRETE WASHOUT FACILITY.

CONCRETE WASTE MANAGEMENT DETAILS



SEDIMENT TRAP OUTLET DETAIL

REVISIONS	
NAME	DATE

ILLINOIS DEPARTMENT OF TRANSPORTATION  
SECTION 02-00518-00-BR  
WINNEBAGO COUNTY  
HARRISON AVENUE OVER UPRR AND CC&PRR

EROSION CONTROL DETAILS

SCALE: VERT. HORIZ.  
DATE 12/14/06

DRAWN BY JDM  
CHECKED BY CPS