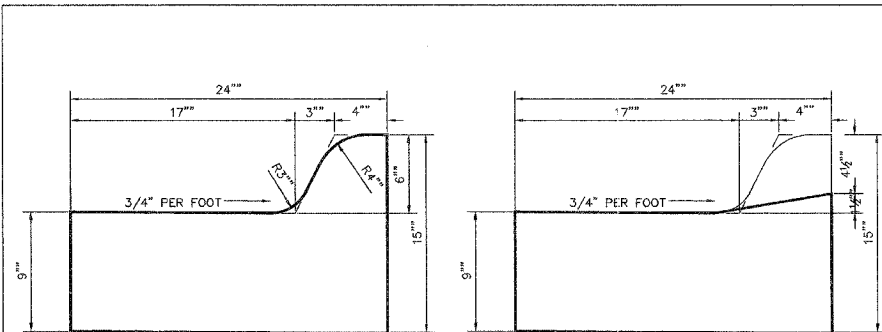
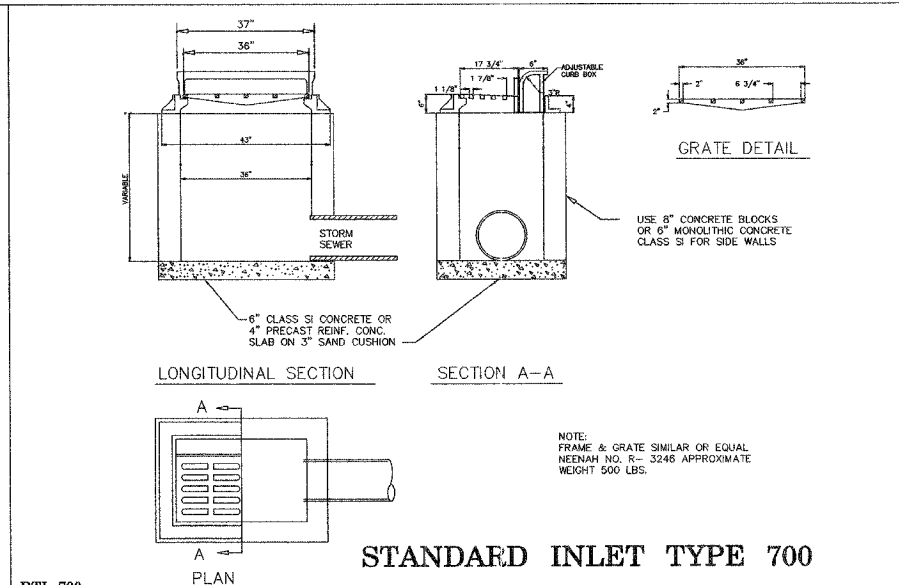


F.A.P. RTE.	SECTION	COUNTY	TOTAL SHEETS	SHEET NO.
525	02-00518-00-BR	WINNEBAGO	157	26
STA.	TO STA.			
FED. ROAD DIST. NO.	ILLINOIS	FED. AID PROJECT		



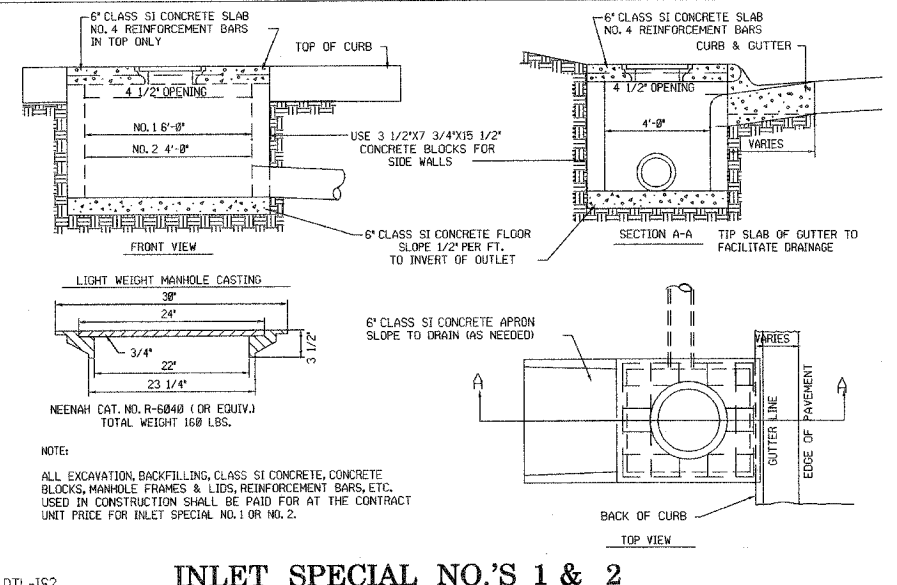
Combination Concrete Curb & Gutter, Type M6.18 Modified

DTL-CURB M6.18



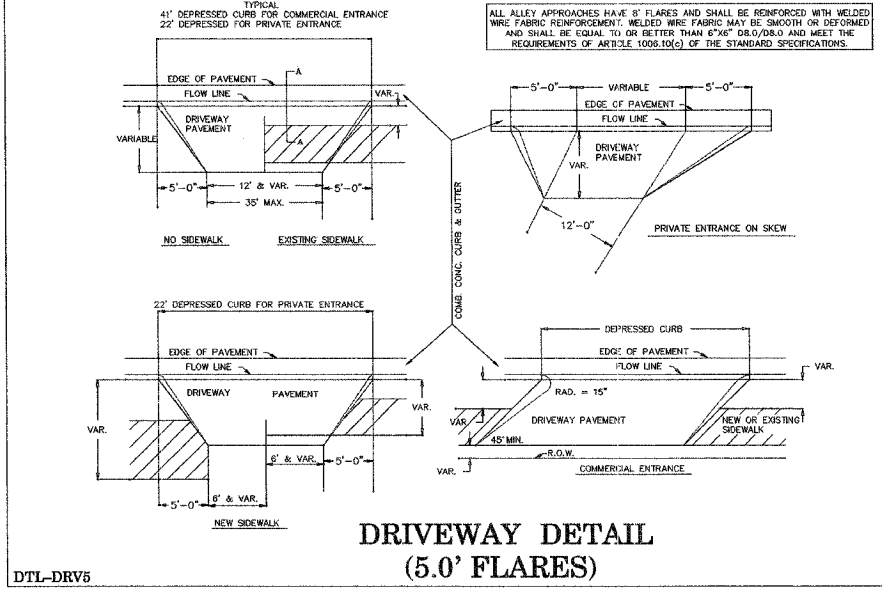
STANDARD INLET TYPE 700

DTL-700



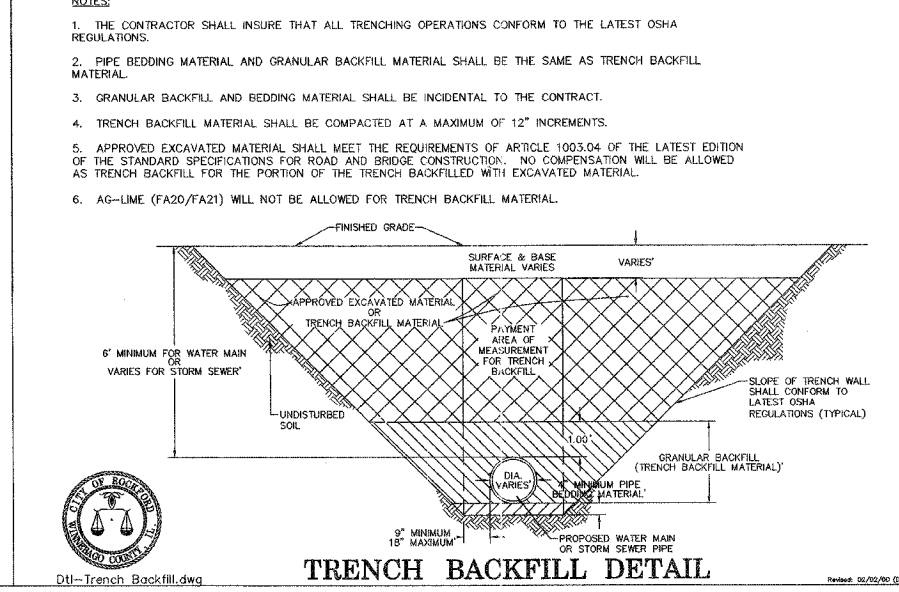
INLET SPECIAL NO.'S 1 & 2

DTL-IS2



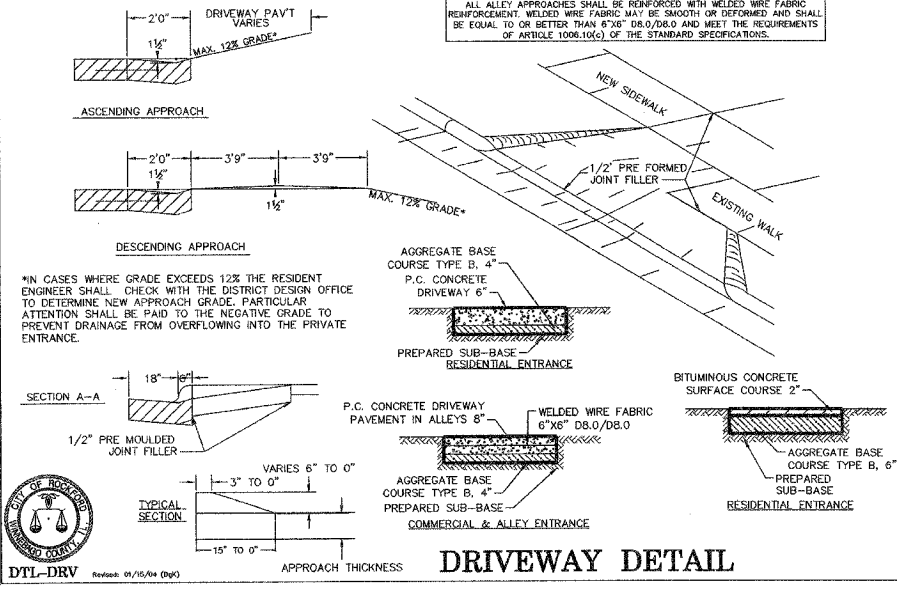
DRIVEWAY DETAIL (5.0' FLARES)

DTL-DRV5



TRENCH BACKFILL DETAIL

DTL-Trench Backfill.dwg



DRIVEWAY DETAIL

DTL-DRV

HANSON Professional Services Inc.

LAYOUT: CPS 01/03/05
DRAWN: JDM 12/14/06
REVIEWED: CPS 12/14/06

REVISIONS	
NAME	DATE

ILLINOIS DEPARTMENT OF TRANSPORTATION
SECTION 02-00518-00-BR
WINNEBAGO COUNTY
HARRISON AVENUE OVER UPRR AND CC&PRR
CITY OF ROCKFORD
STANDARD DETAILS
SCALE: VERT. DRAWN BY JDM
HORIZ. CHECKED BY CPS
DATE 12/14/06