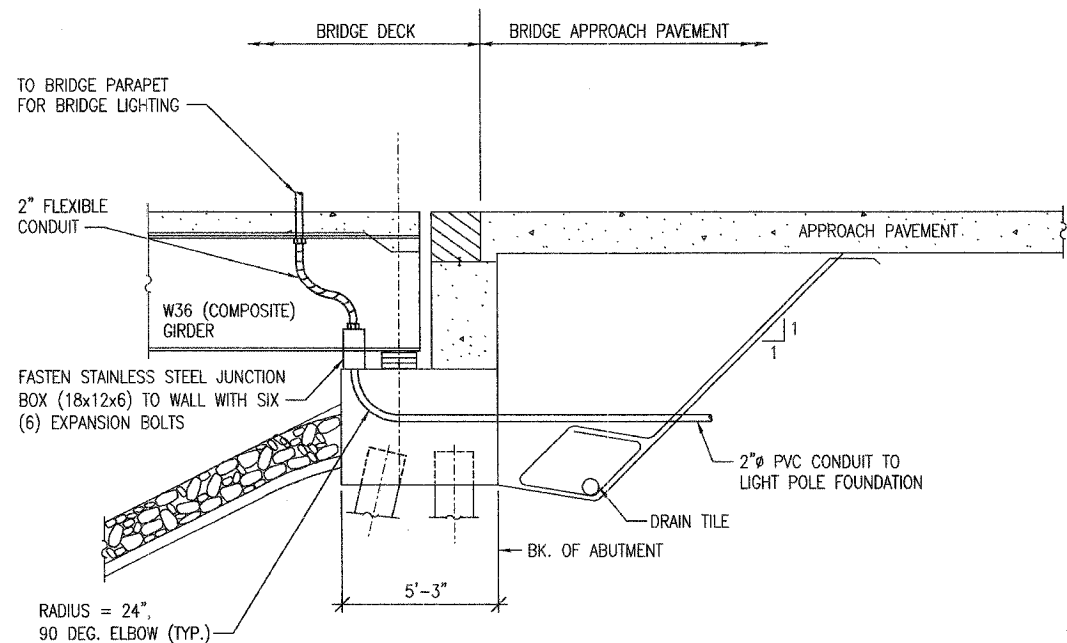
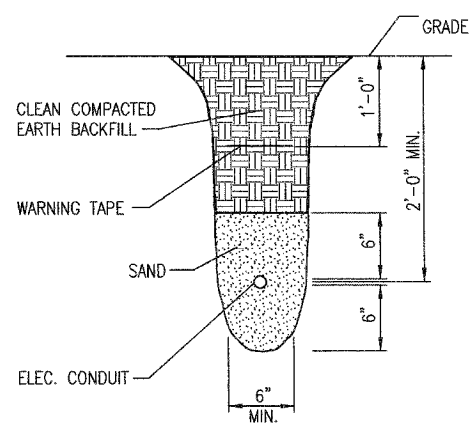


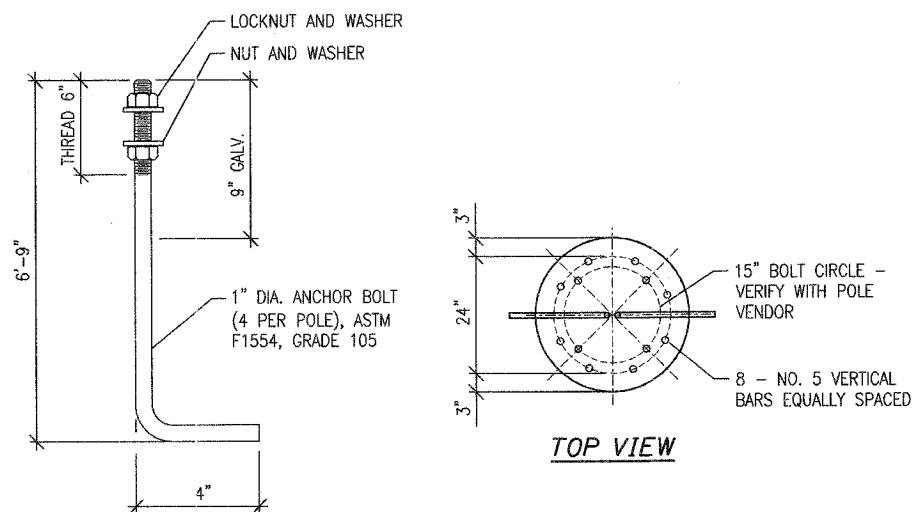
ROUTE NO.	SECTION	COUNTY	SHEET	SHEET	SHEET NO.
FAP 0525		WINNEBAGO	157	31	5 SHEETS
FED. ROAD DIST. NO. 7		ILLINOIS	FED. AID PROJECT		
* 02-00518-00-BR					



(HORIZ. DIM. @ RT. L'S)
SECTION THRU ABUTMENT
SCALE: NONE

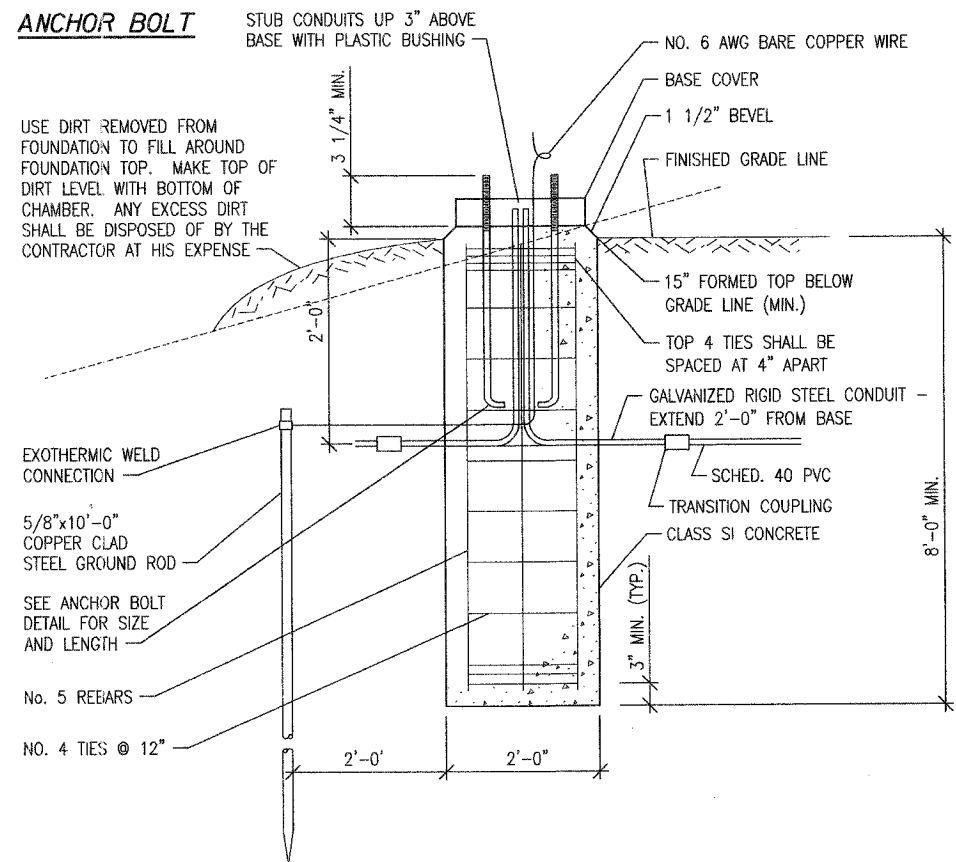


(IN NONPAVED AREAS)
TRENCH DETAIL
SCALE: NONE



ANCHOR BOLT

USE DIRT REMOVED FROM FOUNDATION TO FILL AROUND FOUNDATION TOP. MAKE TOP OF DIRT LEVEL WITH BOTTOM OF CHAMBER. ANY EXCESS DIRT SHALL BE DISPOSED OF BY THE CONTRACTOR AT HIS EXPENSE



POLE FOUNDATION DETAIL
SCALE: NONE

7/7/05 AM
 12/14/06
 1/03/06 02:37:53 StructSheetLighting.dwg 12-12-06 E-503.dgn
 LAYOUT P.L.T. 07/14/06
 DRAWN A.N.C. 07/14/06
 REVIEWED P.L.T. 07/14/06

Corporate License Number 184-001-084

ROADWAY/LIGHTING DETAILS

HARRISON AVENUE BRIDGE
OVER UP & CC&P RAILROAD
F.A.P. ROUTE 0525
SECTION 02-00518-00-BR
ROCKFORD, ILLINOIS
WESTBOUND STRUCTURE NO. 101-6109
EASTBOUND STRUCTURE NO. 101-6111

JOB NO. 03R1751
DATE 07/18/06

L5