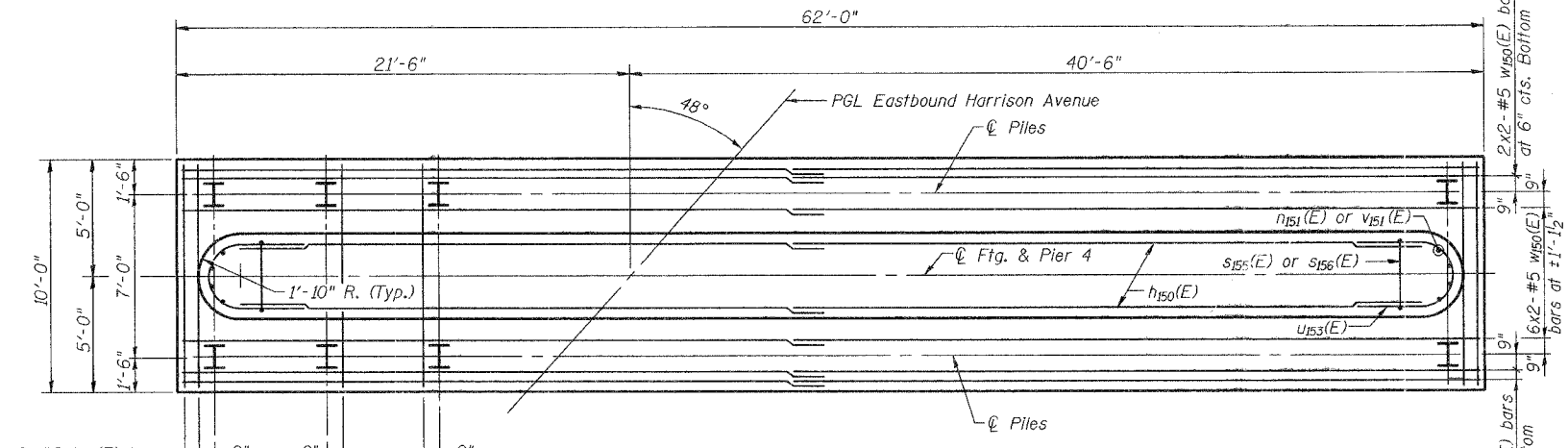
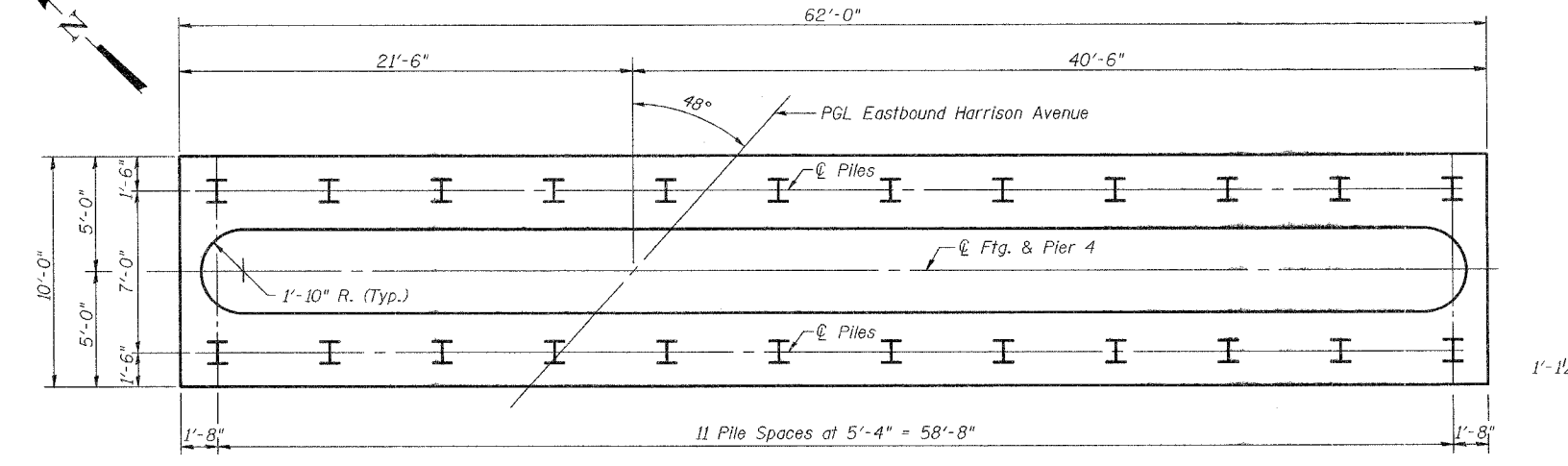


ROUTE NO.	SECTION	COUNTY	POST MILES	STATION	SHEET NO.
FAP 0525	*	WINNEBAGO	157	100	50 SHEETS
FED. ROAD DIST. NO. 7					
ILLINOIS FED. AID PROJECT					
* 02-00518-00-BR					

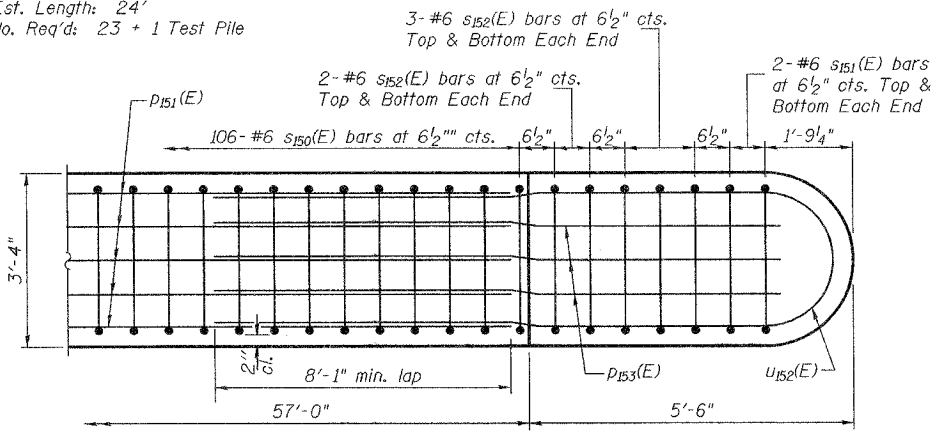


FOOTING REINFORCEMENT PLAN

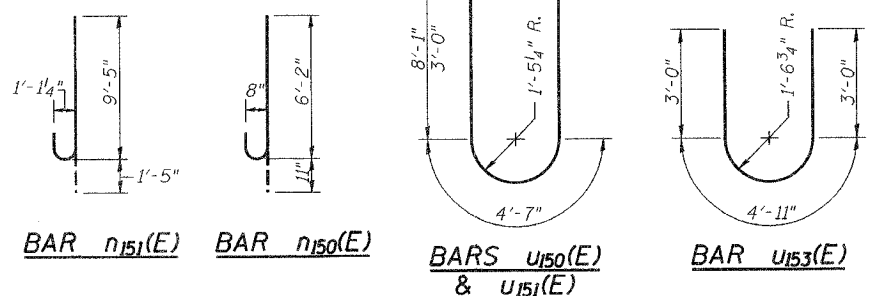
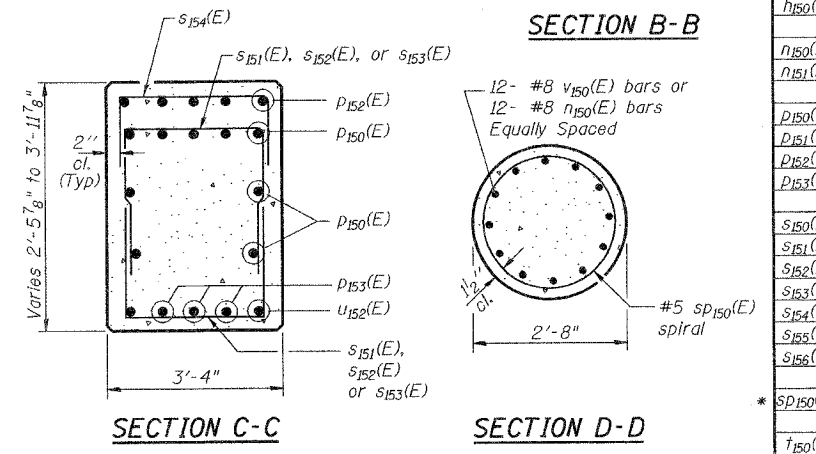
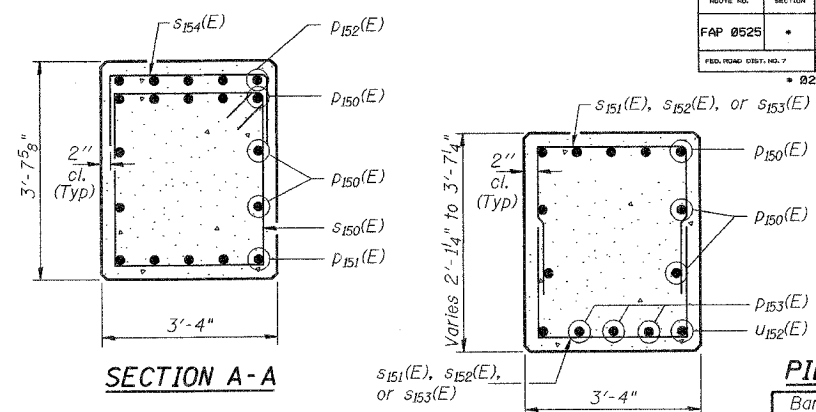


FOOTING PILE PLAN

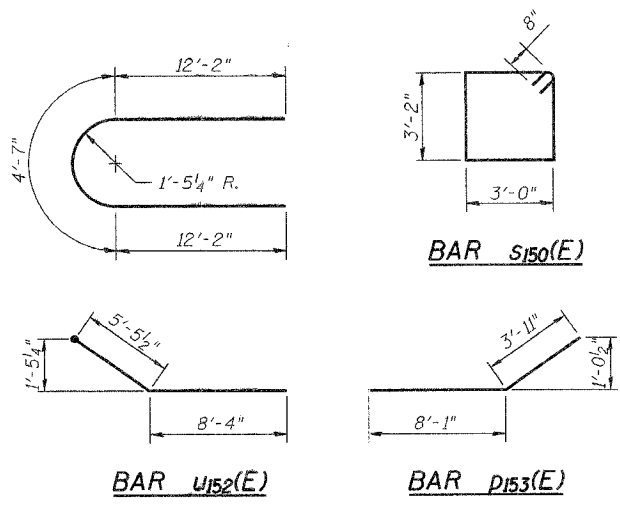
PILE DATA
 Type & Size: HP 12x53 w/ Pile Shoes
 Nominal Required Bearing : 420 Kips
 Allowable Resistance Available : 140 Kips
 Est. Length: 24'
 No. Req'd: 23 + 1 Test Pile



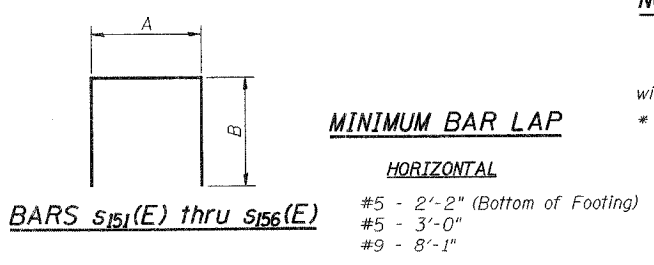
DETAIL A REFLECTED UNDERSIDE PLAN OF PIER CAP END



BAR n151(E) BAR n150(E) BARS u150(E) & u151(E) BAR u153(E)



BAR u152(E) BAR p153(E)



A & B DIMENSIONS

Bar	A	B
s151(E)	3'-0"	2'-2"
s152(E)	3'-0"	2'-5"
s153(E)	3'-0"	2'-10"
s154(E)	3'-0"	2'-1"
s155(E)	3'-4"	13'-2"
s156(E)	3'-4"	10'-2"

PIER 4 BILL OF MATERIAL

Bar	No.	Size	Length	Shape
h150(E)	42	#5	29'-2"	—
n150(E)	72	#8	7'-1"	U
n151(E)	8	#10	10'-10"	U
p150(E)	18	#9	36'-5"	—
p151(E)	10	#9	32'-7"	—
p152(E)	5	#5	20'-9"	—
p153(E)	6	#9	12'-0"	—
s150(E)	106	#6	13'-8"	□
s151(E)	8	#6	7'-4"	U
s152(E)	12	#6	7'-10"	U
s153(E)	8	#6	8'-8"	U
s154(E)	21	#5	7'-2"	U
s155(E)	56	#10	29'-8"	U
s156(E)	56	#10	23'-8"	U
*sp150(E)	6	#5	13'-8"	—
†f150(E)	59	#9	9'-8"	—
u150(E)	4	#9	20'-9"	U
u151(E)	1	#5	10'-7"	U
u152(E)	2	#9	28'-11"	U
u153(E)	20	#5	10'-11"	U
v150(E)	72	#8	15'-6"	—
v151(E)	8	#10	13'-2"	—
w150(E)	20	#5	31'-11"	—
Concrete Structures		Cu. Yd.	222.3	
Reinforcement Bars, Epoxy Coated		Pound	31,300	
Structure Excavation		Cu. Yd.	467.5	
Furnishing Steel Piles, HP 12x53		Foot	552	
Driving Piles		Foot	552	
Metal Shoes		Each	24	
Test Pile Steel HP 12x53		Each	1	
Anchor Bolts, 1"		Each	24	

NOTES
 Work this sheet with Sheet 42 of 50.
 Reinforcement Bars designated (E) shall be epoxy coated.
 Bar indicated thus 1x2 - #5 etc. indicates 1 line of bar with 2 lengths per line.
 * Length is spiral height.

PIER 4 DETAILS
 EASTBOUND HARRISON AVENUE
 OVER UP & CC&P RAILROAD
 F.A.P. ROUTE 0525
 SECTION 02-00518-00-BR
 ROCKFORD, ILLINOIS
 STATION 95+72.00
 STRUCTURE NO. 101-6111

© Copyright Hanson Professional Services Inc. 2006

HANSON

JOB NO. 03R1751
 DATE 12/14/06

3:21:58 PM 3/10/06
 12/12/2006 03:21:58 PM
 I:\03\proj\03R1751\Struct\Sheet\East\Barris\045-EB-Pier.dwg
 LAYOUT JRR 3/10/06
 DRAWN MDW/JRR 7/24/06
 REVIEWED FLN 08/04/06