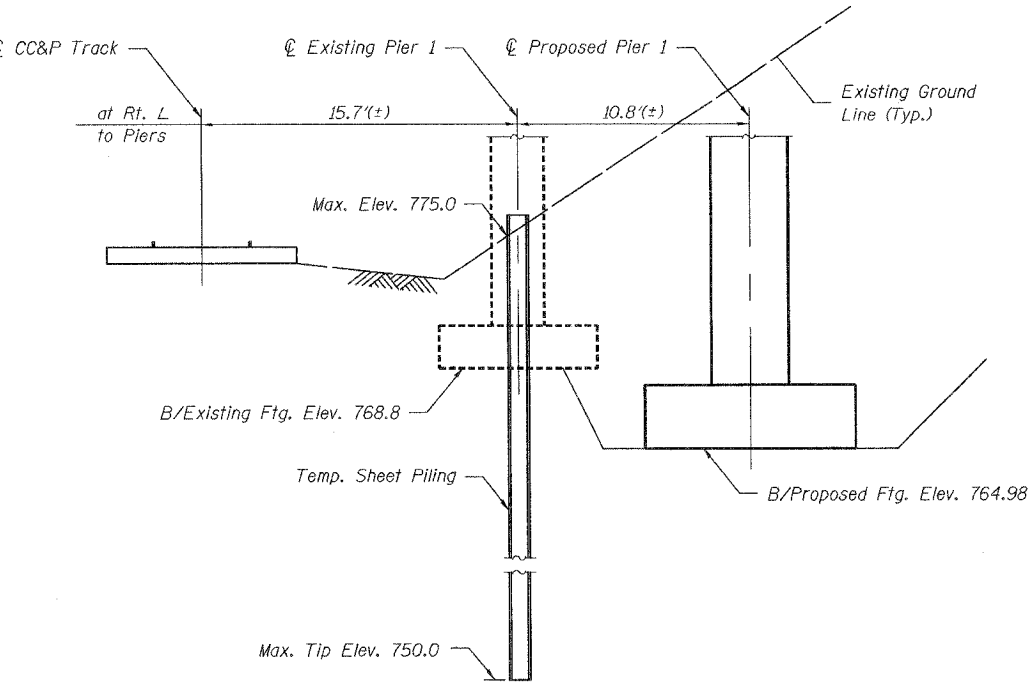
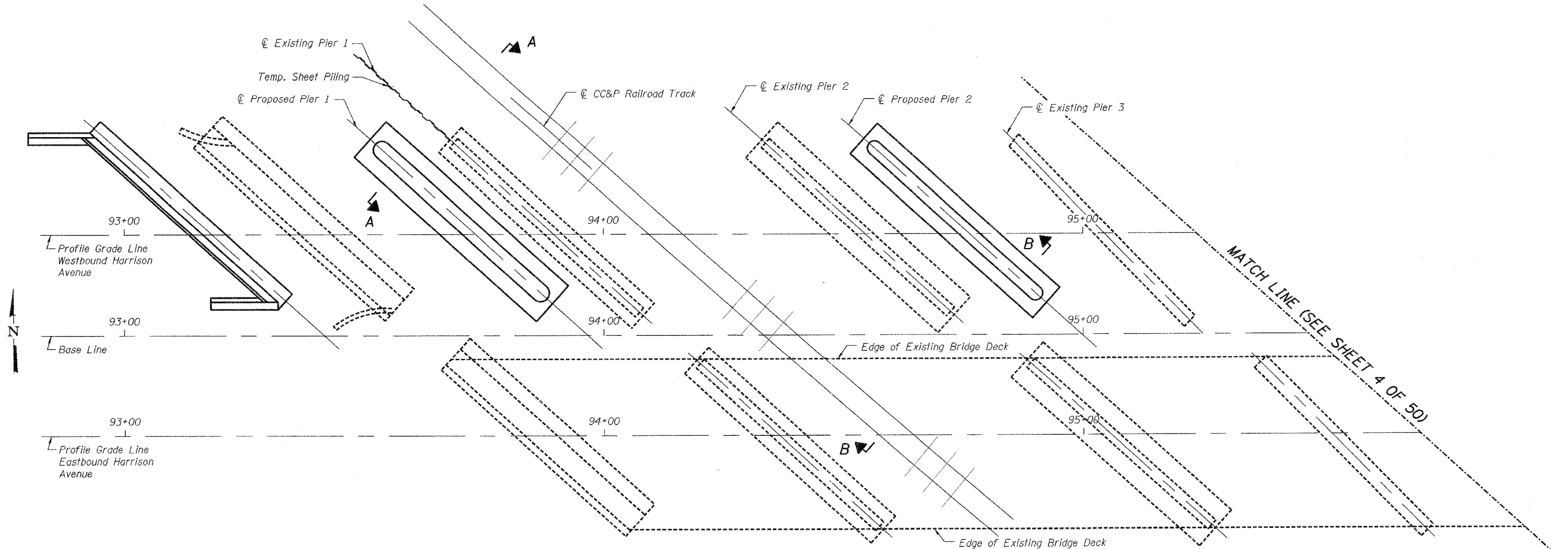
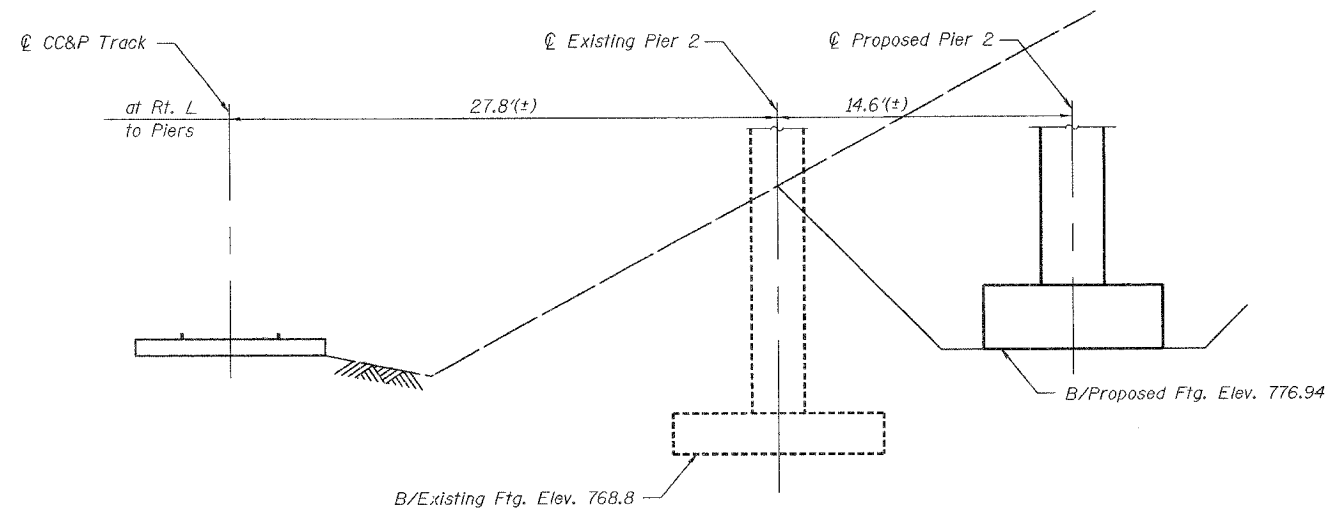


ROUTE NO.	SECTION	COUNTY	STATION	SHEET	SHEET NO.
FAP 0525	*	WINNEBAGO	157	110	50 SHEETS
FED. ROAD DIST. NO. 7		ILLINOIS	FED. AID PROJECT		
* 02-00518-00-BR					



SECTION A-A
(Structure Excavation Production for Pile Bents, No. 1)

PLAN



SECTION B-B

Corporate License Number 184-001-084

PIER EXCAVATION PROTECTION PLAN

WESTBOUND HARRISON AVENUE
OVER UP & CC&P RAILROAD
F.A.P. ROUTE 0525
SECTION 02-00518-00-BR
ROCKFORD, ILLINOIS
STATION 95+25.35
STRUCTURE NO. 101-6109

© Copyright Hanson Professional Services Inc. 2006

HANSON

JOB NO. 03R1751
DATE 12/14/06

1/07/09 PM
 12/12/2006 04:07 PM
 I:\03\Job\03R1751\Structure\Sheet\West\Bent\1-C-003-WB-Footing\Layout.dgn
 LAYOUT 07/11/06
 DRAWN 07/18/06
 REVIEWED SHK 08/02/06