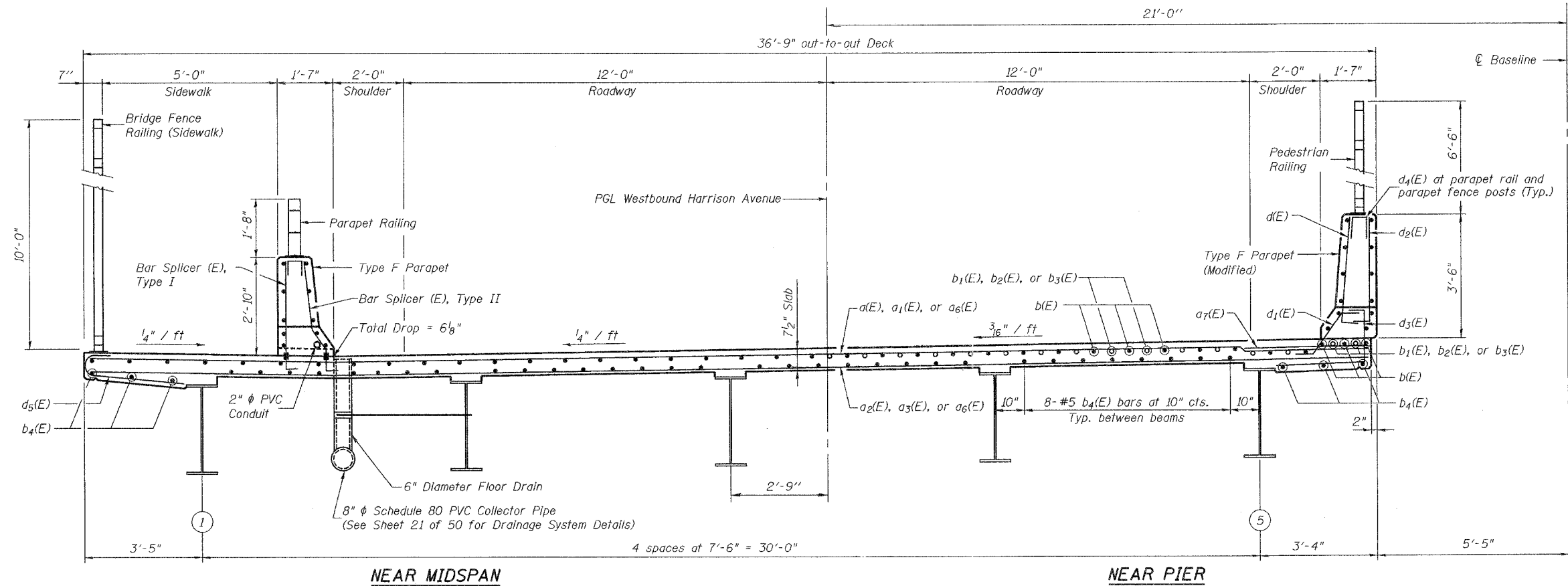


ROUTE NO.	SECTION	COUNTY	SHEETS	SET	SHEET NO. 12
FAP 0525	•	WINNEBAGO	157	119	50 SHEETS
<small>FILED UNDER DIST. NO. 7</small> <small>ILLINOIS</small> <small>FED. AID PROJECT</small>					
• 02-00518-00-BR					

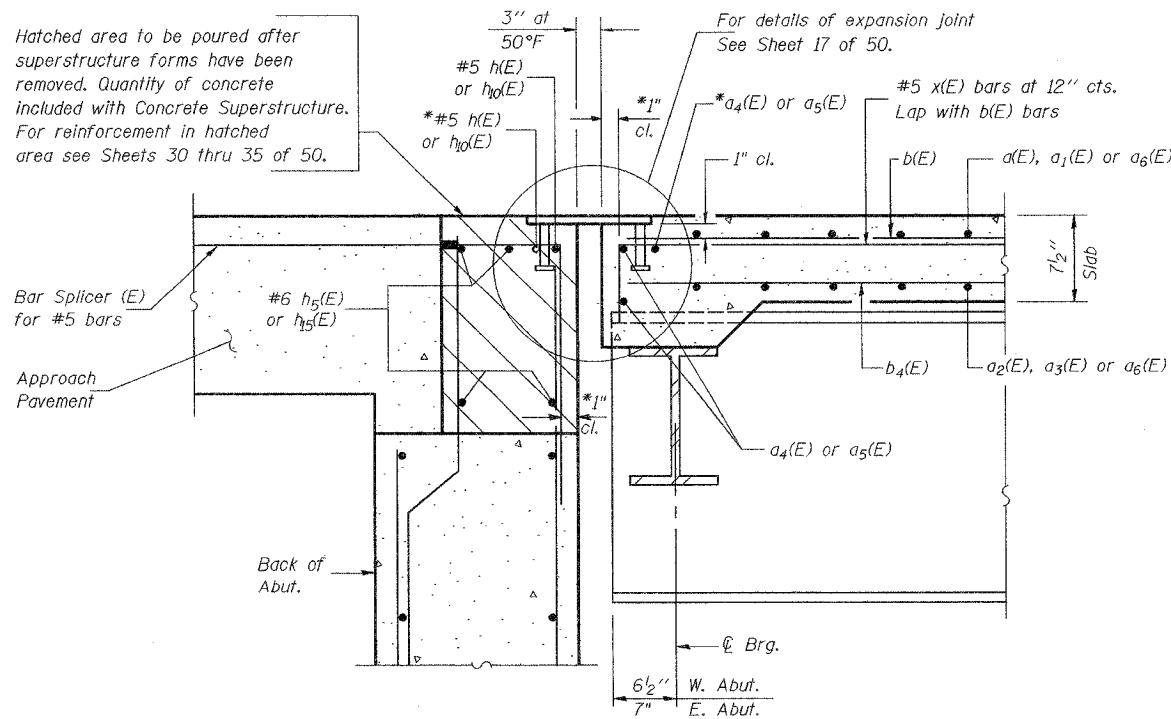


NEAR MIDSPAN

NEAR PIER

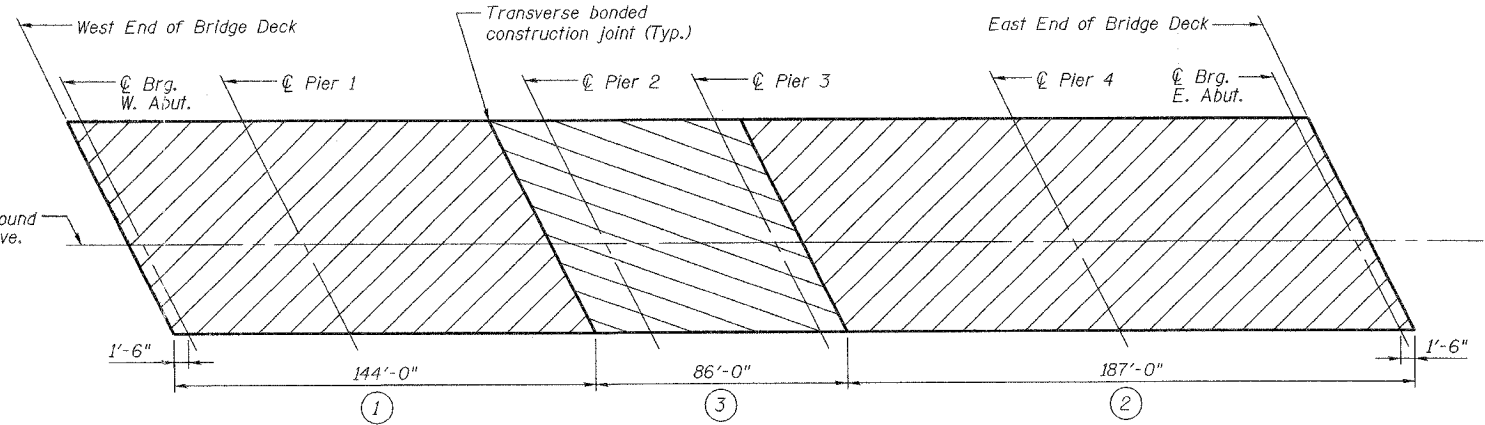
**WESTBOUND CROSS SECTION**

Looking East



SECTION A-A

\* Place a<sub>4</sub>(E) or a<sub>5</sub>(E) and h(E) or h<sub>10</sub>(E) bars in back of anchor bolts as shown if required to maintain 1" cl. (3/8"). Anchor bolts should be tied to a<sub>4</sub>(E) or a<sub>5</sub>(E) and h(E) or h<sub>10</sub>(E) bars.



DECK POURING SEQUENCE

**NOTES**

The concrete deck slab segments shall be poured in numerical order as shown above. When the deck pour is stopped for the day at one or more of the Transverse Bonded Construction Joints in the deck pouring sequence as shown, the next pour shall not be made until both of the following requirements are met:  
 1. At least 72 hours shall have elapsed from the end of the previous pour.  
 2. The concrete strength shall have attained a minimum modulus of rupture of 650 psi or a minimum compressive strength of 3500 psi.  
 Reinforcement bars designed (E) shall be epoxy coated. See Sheets 13 and 14 of 50 for parapet reinforcement. Work this Sheet with Sheets 10, 11 and 13 thru 16 of 50. For Superstructure Bill of Material, see Sheet 16 of 50.  
 The sidewalk and the path surfaces of the bridge shall be finished according to Article 503.16(b)(1) of the Standard Specifications. Cost included in Concrete Superstructure.

Corporate License Number 184-001-084

**SUPERSTRUCTURE DETAILS**

**WESTBOUND HARRISON AVENUE  
OVER UP & CC&P RAILROAD  
F.A.P. ROUTE 0525  
SECTION 02-00518-00-BR  
ROCKFORD, ILLINOIS  
STATION 95+25.35  
STRUCTURE NO. 101-6109**

© Copyright Hanson Professional Services Inc. 2006



JOB NO.  
03R1751  
DATE  
12/14/06

10:40:59 AM 12/27/06  
 12/14/2006 10:40 AM  
 1A03 Jans03R1751/51/Struct/Sheet/Westbound/502WB-Super/Design

LAYOUT  
 DRAWN  
 REVIEWED  
 12/27/06  
 MHW/JAR  
 07/13/06  
 FLN 08/02/06