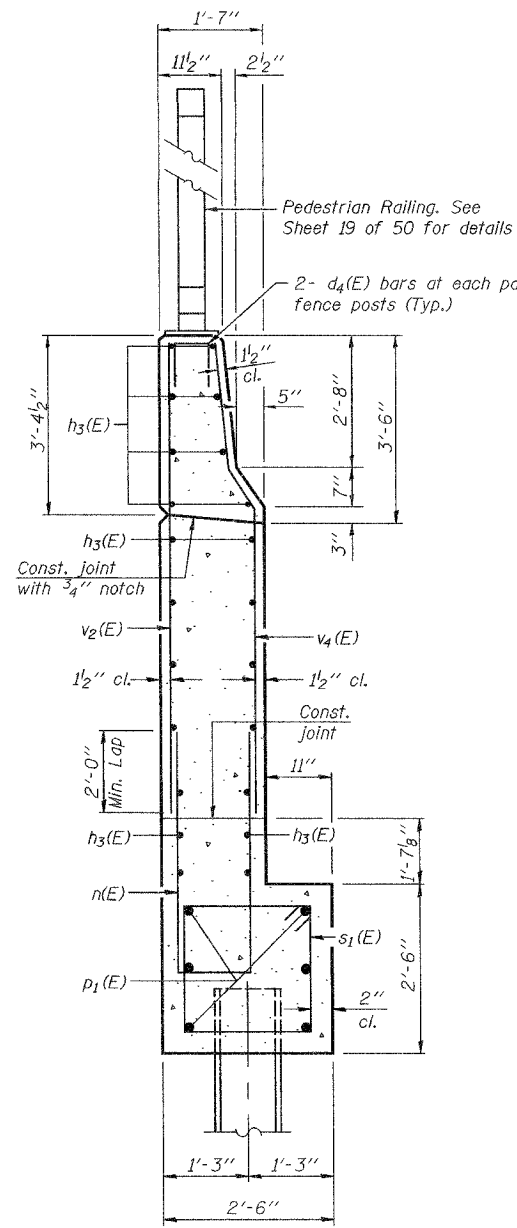


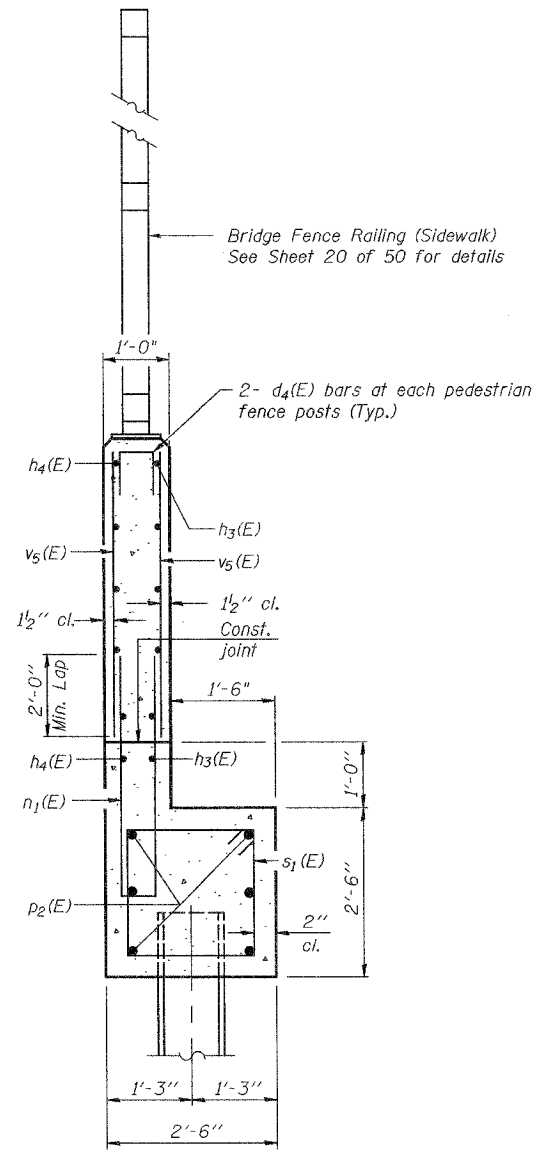
ROUTE NO.	SECTION	COUNTY	SHEET	SHEET NO.
FAP 0525	*	WINNEBAGO	157	139
FED. ROAD DIST. NO. 7		ILLINOIS		FED. AID PROJECT
* 02-00518-00-BR				

**WEST ABUTMENT
BILL OF MATERIAL**

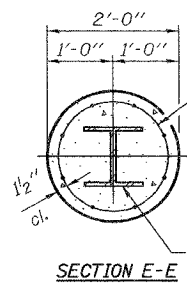
Bar	No.	Size	Length	Shape
d ₄ (E)	12	#4	2'-1"	□
n(E)	14	#5	26'-8"	—
h ₁ (E)	10	#5	6'-3"	∠
h ₂ (E)	10	#5	8'-9"	∠
h ₃ (E)	28	#4	13'-9"	—
h ₄ (E)	6	#4	12'-7"	—
h ₅ (E)	8	#6	26'-11"	—
n(E)	15	#6	13'-0"	—
n ₁ (E)	18	#6	11'-1"	—
p(E)	24	#7	19'-2"	—
p ₁ (E)	6	#7	13'-9"	—
p ₂ (E)	6	#7	15'-9"	—
p ₃ (E)	7	#7	22'-9"	—
p ₄ (E)	5	#7	18'-9"	—
p ₅ (E)	10	#5	12'-6"	—
p ₆ (E)	5	#5	7'-7"	—
p ₇ (E)	5	#7	10'-2"	—
s(E)	52	#5	17'-1"	□
s ₁ (E)	26	#4	9'-5"	□
s ₂ (E)	31	#5	9'-11"	□
s ₃ (E)	4	#5	11'-3"	□
s ₄ (E)	1	#5	15'-9"	□
u(E)	4	#6	13'-9"	□
u ₁ (E)	4	#6	13'-0"	∠
v(E)	52	#5	2'-6"	—
v ₁ (E)	52	#4	3'-5"	—
v ₂ (E)	15	#6	6'-9"	—
v ₃ (E)	104	#4	5'-3"	—
v ₄ (E)	15	#6	6'-9"	—
v ₅ (E)	37	#6	3'-0"	—
Structure Excavation	Cu. Yd.	163.4		
Concrete Structures	Cu. Yd.	63.5		
Concrete Encasement	Cu. Yd.	3.9		
Reinforcement Bars, Epoxy Coated	Pound	6600		
Furnishing Steel Piles, HP12x53	Foot	430		
Driving Piles	Foot	430		
Test Piles Steel, HP12x53	Each	1		
Pile Shoes	Each	11		
Concrete Sealer	Sq. Ft.	182		
Porous Granular Embankment	Cu. Yd.	92.7		
Anchor Bolts, 1"	Each	10		



SECTION A-A

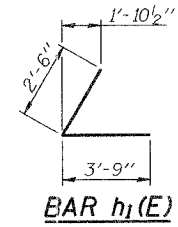
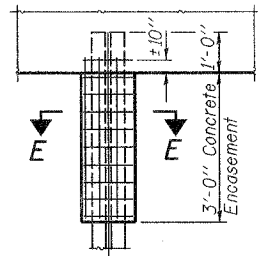


SECTION C-C

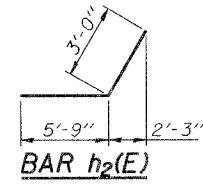


Welded wire fabric 6 x 6-W4.0 x W4.0 weighing 58#/100 sq. ft. The cost of Excavation, Concrete Encasement and Reinforcement is included with Concrete Encasement. Forms for Encasement may be omitted when soil conditions permit.

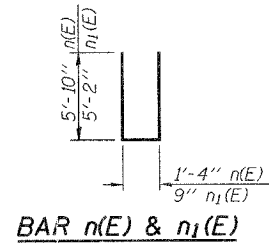
SECTION E-E
PILE ENCASEMENT DETAIL



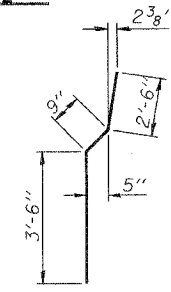
BAR h₁(E)



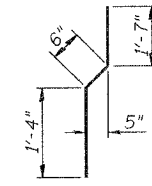
BAR h₂(E)



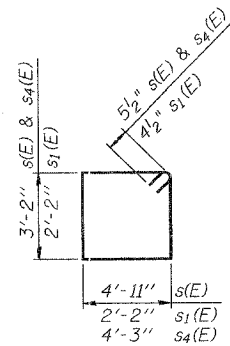
BAR n(E) & n₁(E)



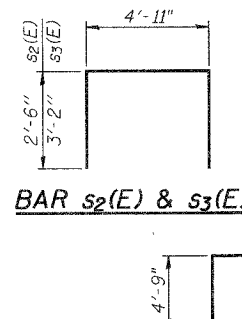
BAR v₄(E)



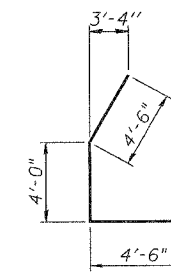
BAR v₁(E)



BARS s(E), s₁(E) & s₄(E)



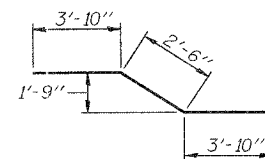
BAR s₂(E) & s₃(E)



BAR u₁(E)



BAR u(E)



BAR p₇(E)

NOTES

Reinforcement bars designated (E) shall be epoxy coated.
Work this Sheet with Sheets 30 & 31 of 50.
See Sheet 16 of 50 for Bar d₄(E) configuration.

Corporate License Number 184-001-084

WEST ABUTMENT DETAILS
WESTBOUND HARRISON AVENUE
OVER UP & CC&P RAILROAD
F.A.P. ROUTE 0525
SECTION 02-00518-00-BR
ROCKFORD, ILLINOIS
STATION 95+25.35
STRUCTURE NO. 101-6109

© Copyright Hanson Professional Services Inc. 2006



JOB NO.

03R1751

DATE

12/14/06

12/28/06 PM 12/28/06 12:28 PM 12/28/06 12:28 PM 12/28/06 12:28 PM

LAYOUT	SMK	7/1/06
DRAWN	MCH/JAR	8/11/06
REVIEWED	JAR	8/11/06