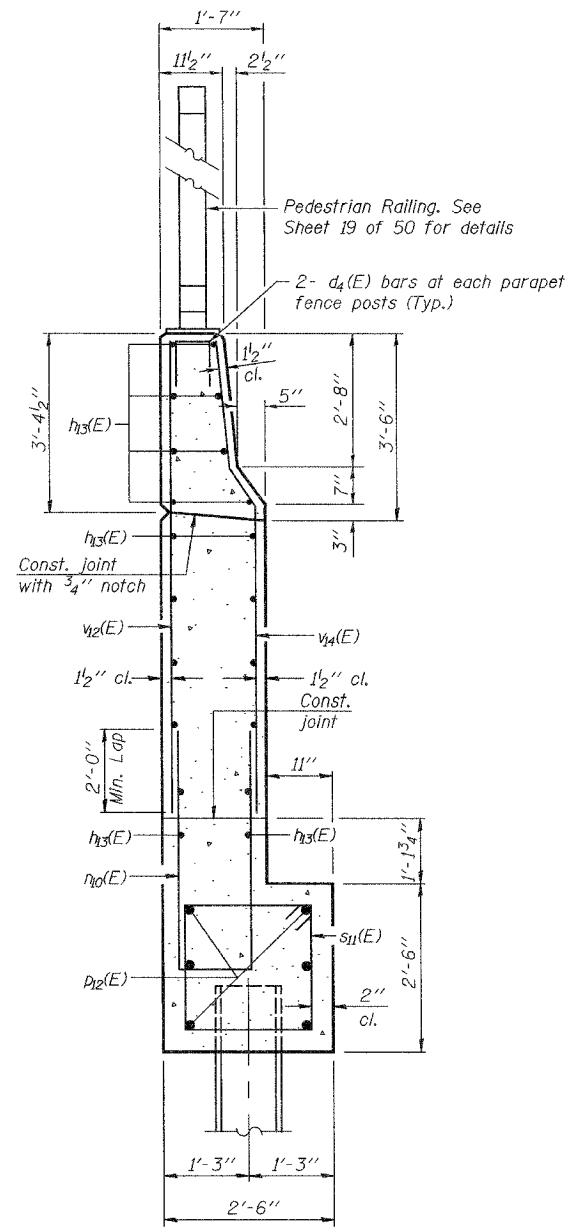


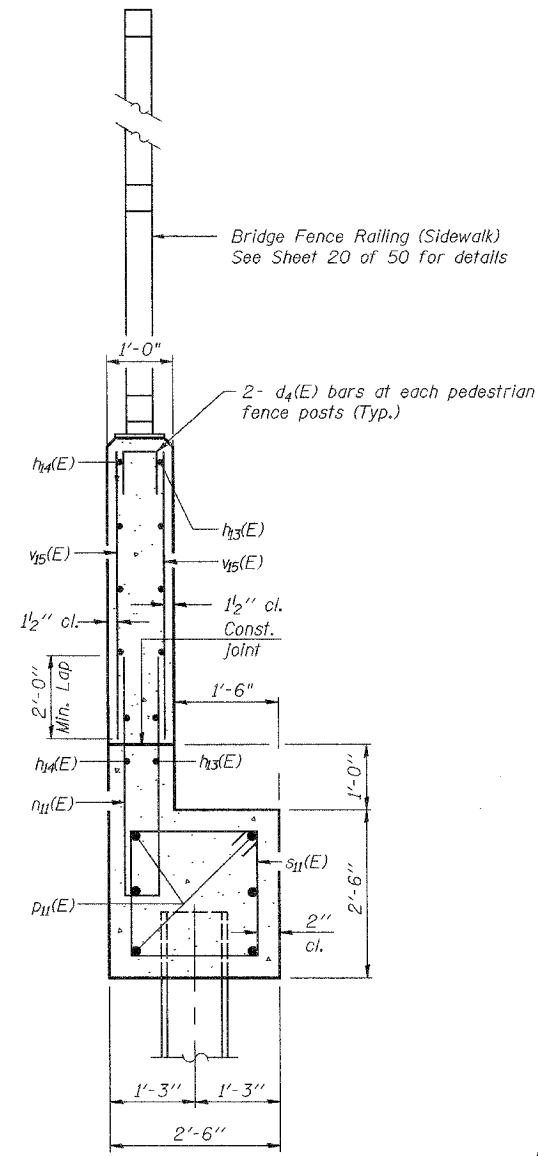
ROUTE NO.	SECTION	COUNTY	SHEET	SHEET NO.
FAP 0525		WINNEBAGO	157	142
FED. ROAD DIST. NO. 7				50 SHEETS
ILLINOIS FED. AID PROJECT				
02-00518-00-BR				

**EAST ABUTMENT
BILL OF MATERIAL**

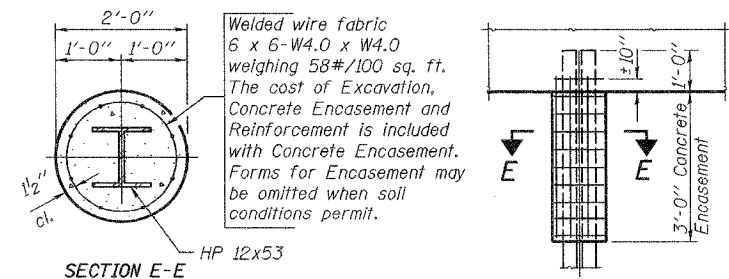
Bar	No.	Size	Length	Shape
d ₄ (E)	12	#4	2'-1"	□
h ₁₀ (E)	18	#5	26'-8"	—
h ₁₁ (E)	10	#5	6'-3"	└
h ₁₂ (E)	10	#5	8'-9"	└
h ₁₃ (E)	26	#4	13'-9"	—
h ₁₄ (E)	6	#4	14'-10"	—
h ₁₅ (E)	8	#6	26'-11"	—
n ₁₀ (E)	15	#6	10'-10"	—
n ₁₁ (E)	20	#6	9'-11"	—
p ₁₀ (E)	24	#7	28'-8"	—
p ₁₁ (E)	6	#7	14'-9"	—
p ₁₂ (E)	6	#7	16'-3"	—
s ₁₀ (E)	50	#5	17'-1"	□
s ₁₁ (E)	26	#4	9'-5"	□
s ₁₂ (E)	Not Used			
s ₁₃ (E)	1	#5	16'-1"	□
s ₁₄ (E)	1	#5	14'-5"	□
u ₁₀ (E)	4	#6	13'-9"	—
u ₁₁ (E)	4	#6	11'-10"	└
v ₁₀ (E)	52	#5	2'-6"	—
v ₁₁ (E)	52	#4	3'-3"	—
v ₁₂ (E)	15	#6	7'-6"	—
v ₁₃ (E)	104	#4	5'-0"	—
v ₁₄ (E)	15	#6	7'-7"	—
v ₁₅ (E)	41	#6	4'-2"	—
Structure Excavation	Cu. Yd.		64.5	
Concrete Structures	Cu. Yd.		61.6	
Concrete Encasement	Cu. Yd.		3.9	
Reinforcement Bars, Epoxy Coated	Pound		6060	
Furnishing Steel Piles, HP12x53	Foot		570	
Driving Piles	Foot		570	
Test Piles Steel, HP12x53	Each		1	
Pile Shoes	Each		11	
Concrete Sealer	Sq. Ft.		174	
Porous Granular Embankment	Cu.Yd.		89.3	
Anchor Bolts, 1"	Each		10	
Permanent Survey Markers, Type 1	Each		1	



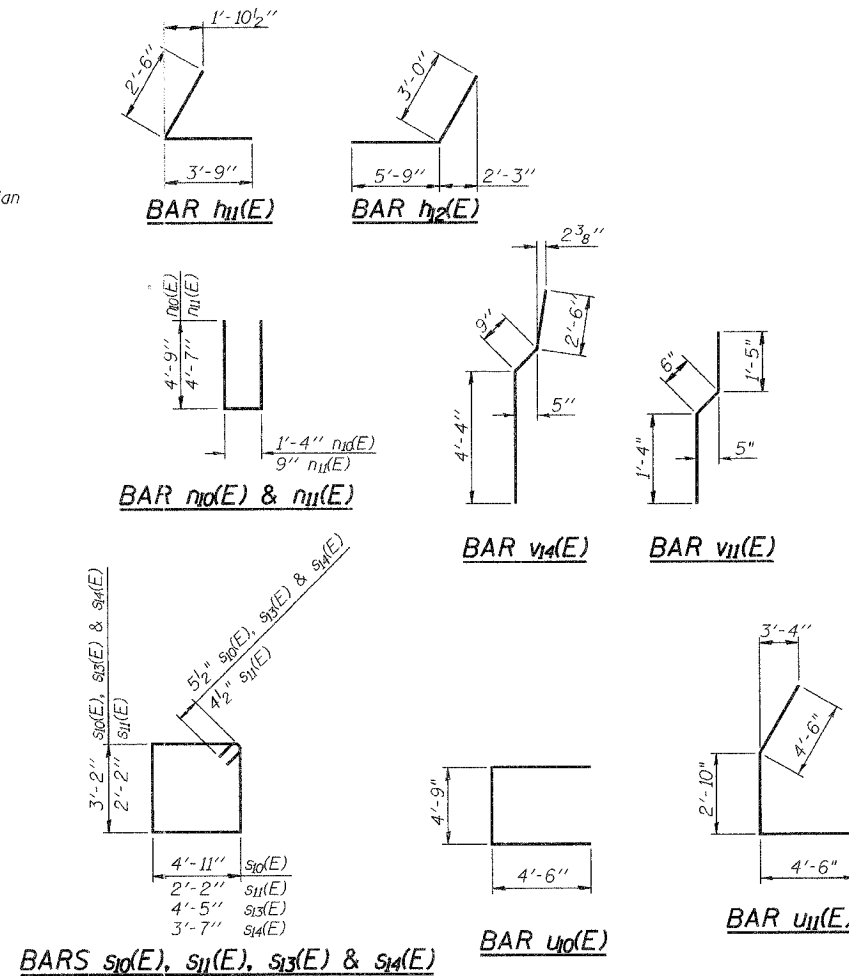
SECTION A-A



SECTION C-C



PILE ENCASEMENT DETAIL



NOTES

Reinforcement bars designated (E) shall be epoxy coated.
Work this Sheet with Sheets 33 & 34 of 50.
See Sheet 16 of 50 for Bar d₄(E) configuration.

Corporate License Number 184-001-084

EAST ABUTMENT DETAILS
WESTBOUND HARRISON AVENUE
OVER UP & CC&P RAILROAD
F.A.P. ROUTE 0525
SECTION 02-00518-00-BR
ROCKFORD, ILLINOIS
STATION 95+25.35
STRUCTURE NO. 101-6109

© Copyright Hanson Professional Services Inc. 2006
JOB NO. 03R1751
DATE 12/14/06

12/8/06 PM
12/12/06 6:12:21 PM
P:\03\08518\03R1751\Struct\Steel\West Bound\5-035-WB-EastAbutDet3.dgn

LAYOUT	SMK	7/1/06
DRAWN	MWZ/JAR	8/11/06
REVIEWED	JAR	8/11/06