

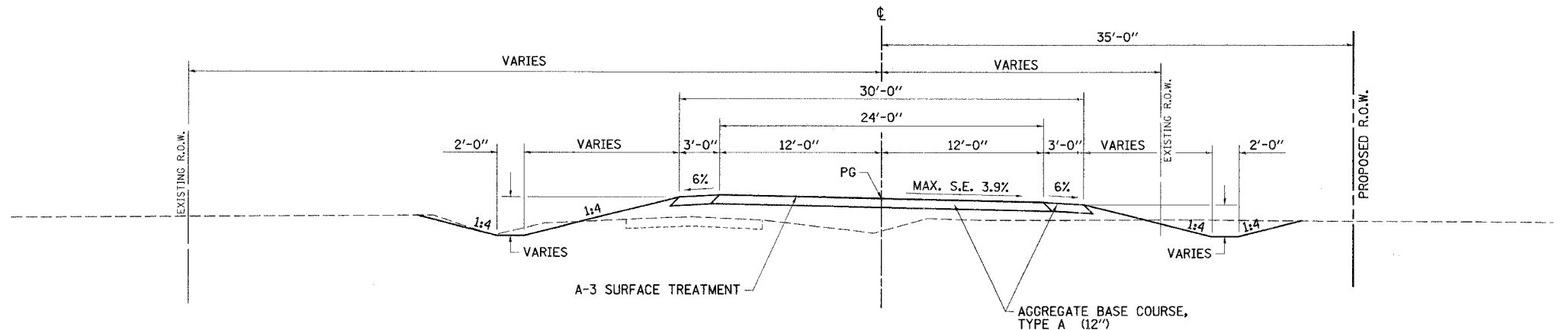
F.A.U. RTE.	SECTION	COUNTY	TOTAL SHEETS	SHEET NO.
7902	...	CHRISTIAN	67	6
STA. - TO STA. -		ILLINOIS FED. AID PROJECT		
... 03-00055-00-FP				

DESIGN		
INT.	DATE	REASON

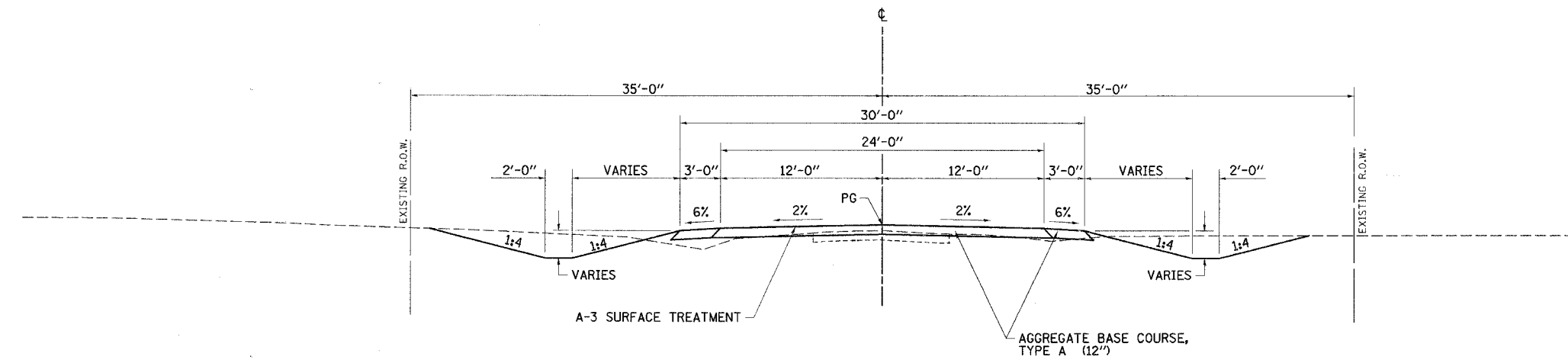
PLOTS & CHECKS			
INT.	DATE	NO.	REASON

FILE NAME = \$FILES
 PLOT SCALE = \$SCALE
 PLOT DATE = \$DATE\$
 PLOT TIME = \$TIME\$
 OPERATOR = \$USER\$

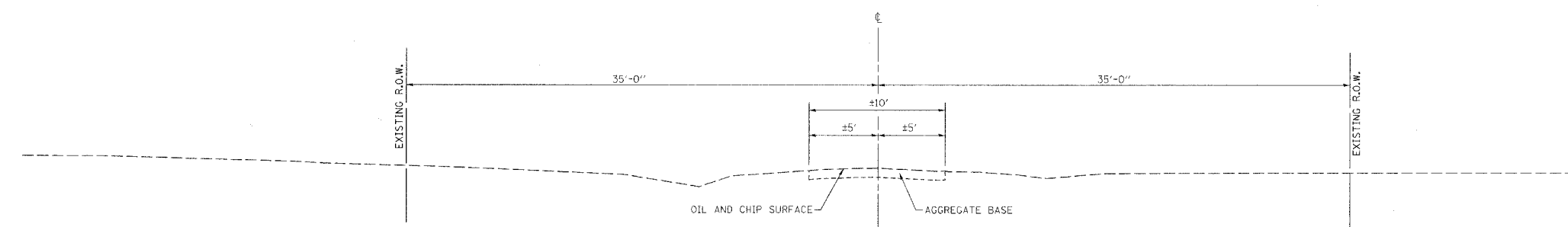
CHECKS		
INT.	DATE	REASON



PROPOSED TYPICAL SECTION
 EAST SUNSET DRIVE
 STA. 36+24 TO STA. 40+14



PROPOSED TYPICAL SECTION
 EAST SUNSET DRIVE
 STA. 21+93.40 TO STA. 36+24



EXISTING TYPICAL SECTION
 EAST SUNSET DRIVE
 STA. 21+93.40 TO STA. 46+30

PAVEMENT DESIGN DATA

EAST SUNSET DRIVE

CLASS III ROAD (73,280 LB. DESIGN)
 DESIGN TRAFFIC (2017)
 PV = 1,021 SU = 81 MU = 58
 TF = 0.2531 D_t = 3.38
 D_t (Req.)

STRUCTURAL PAVEMENT:

HMA SURFACE	1.5" @ 0.40	= 0.60
HMA BINDER	3.75" @ 0.33	= 1.24
AGG. BSE. CSE. TY A	12" @ 0.13	= 1.56
		D _t (Provided) = 3.40

STAGE I CONSTRUCTION

12" AGG. BASE COURSE, TY. A W/
 BIT. SURFACE TREATMENT TY A3

REVISIONS	
NAME	DATE
GSJ	6/9/06

ILLINOIS DEPARTMENT OF TRANSPORTATION

TYPICAL SECTIONS

CITY OF TAYLORVILLE
 EAST SUNSET DRIVE
 IMPROVEMENTS

SCALE: VERT. 1" = 5'
 HORIZ. 1" = 5'

DATE: 5/29/03

DRAWN BY: SUTHEARD
 DESIGNED BY: COLBROOK
 CHECKED BY: COLBROOK

COMPUTER FILE NO.
 TYPSEC-01
 PROJECT 02159
 06/09/06-GSJ

GREENE & BRADFORD, INC.
 OF SPRINGFIELD