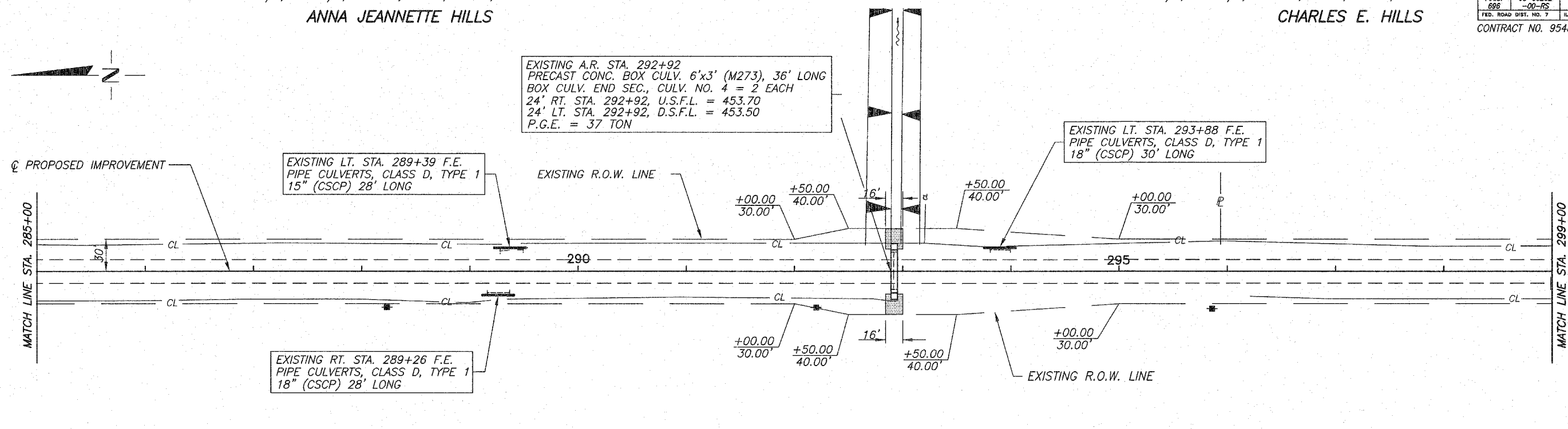


W. 1/2, S.W. 1/4, SEC. 35, T.10N., R.13W., 2ND PM.  
**ANNA JEANNETTE HILLS**

S.W. 1/4, S.W. 1/4, SEC. 35, T.10N., R.13W., 2ND PM.  
**CHARLES E. HILLS**

ROUTE NO.	SECTION	COUNTY	TOTAL SHEETS	SHEET NO.
F.A.S. 696	08-00262-00-RS	CLARK	27	10
FED. ROAD DIST. NO. 7	ILLINOIS	PROJECT	RS-696(106)	

CONTRACT NO. 95487



 INDICATES STONE RIPRAP DITCH (EXISTING)

**ANNA JEANNETTE HILLS**  
 E. 1/2, S.E. 1/4, SEC. 35, T.10N., R.13W., 2ND PM.

Station	285+00	286+00	287+00	288+00	289+00	290+00	291+00	292+00	293+00	294+00	295+00	296+00	297+00	298+00	299+00
Elevation	459.40	459.10	458.80	458.56	458.45	458.39	458.34	458.28	458.23	458.17	458.19	458.36	458.60	458.84	459.07

B.M. #20 - 2 SPIKE NAILS IN P.P.  
 34' RT. STA. 288+23  
 ELEV. 458.99

4" RESURFACING (at STA. 289+00 and STA. 297+00)

EXISTING C GRADE