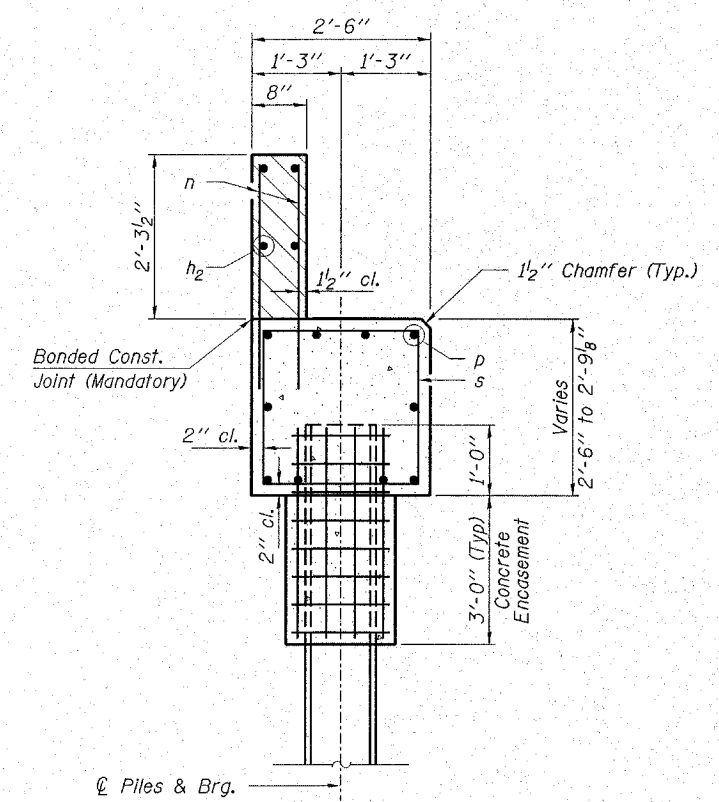
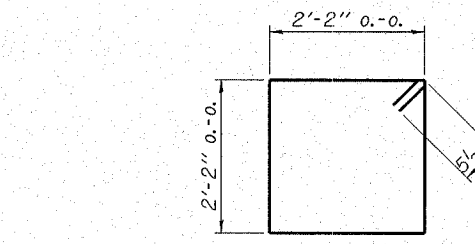


PLAN

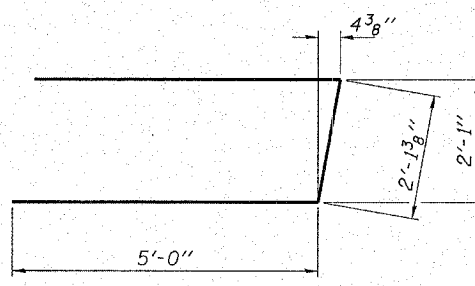


SECTION A-A

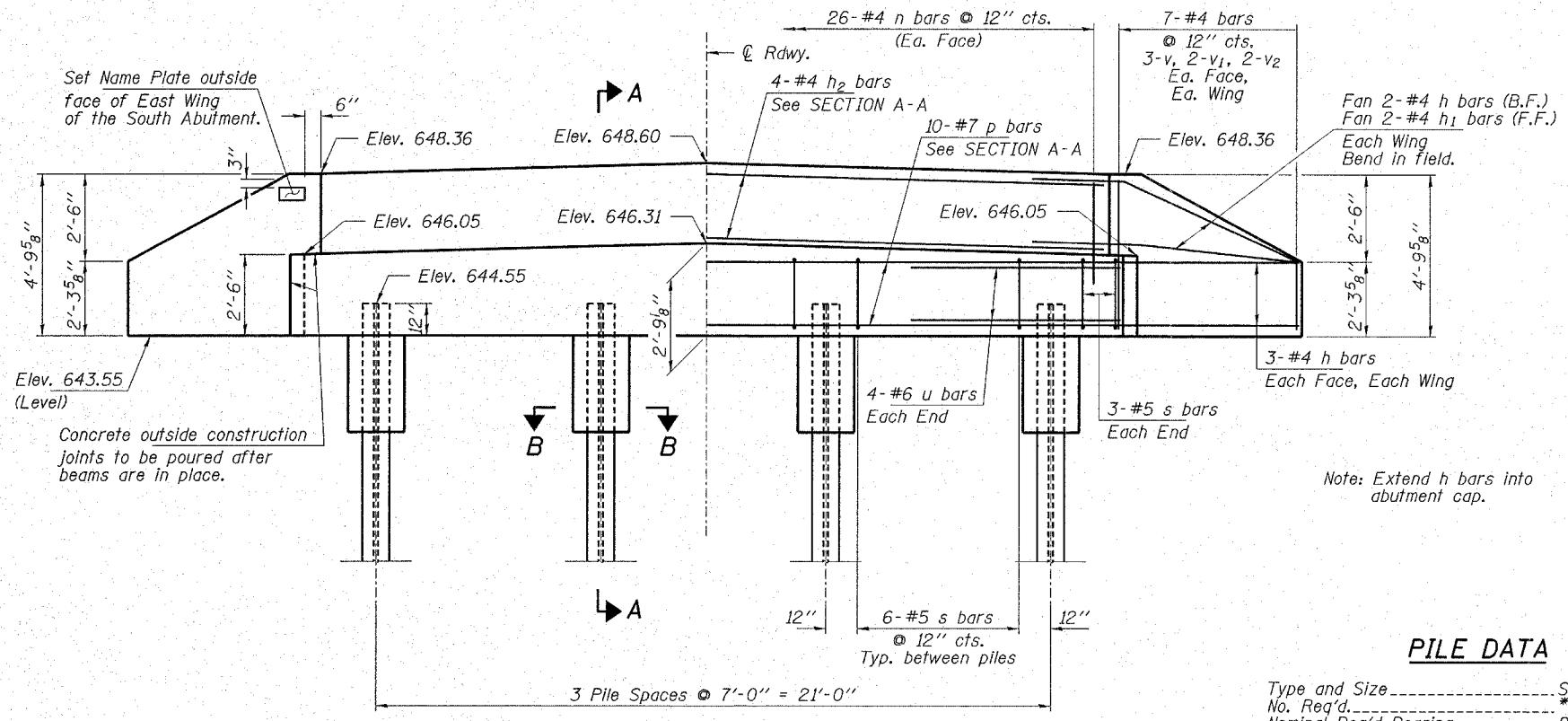
Hatched area to be poured after beams are in place.



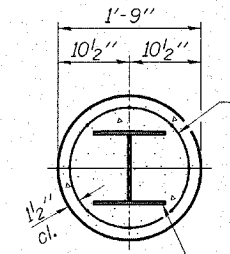
BAR s



BAR u



ELEVATION



SECTION B-B

Welded wire fabric 6 x 6-W4.0 x W4.0 weighing 58#/100 sq. ft. The cost of Excavation and Reinforcement is included in the cost of Concrete Encasement. Forms for Encasement may be omitted when soil conditions will permit.

BILL OF MATERIAL - 2 ABUTS.

BAR	NO.	SIZE	LENGTH	SHAPE
h	32	#4	6'-9"	—
h1	8	#4	5'-9"	—
h2	8	#4	26'-6"	—
n	104	#4	3'-2"	—
p	20	#7	25'-7"	—
s	48	#5	9'-7"	□
u	16	#6	12'-2"	—
v	24	#4	3'-11"	—
v1	16	#4	2'-11"	—
v2	16	#4	2'-1"	—

Material	Quantity	Unit
Concrete Structures	18.6	Cu. Yd.
Reinforcement Bars	2,480	Pound
Steel Piles HP10x42	140	Foot
Test Pile Steel HP10x42	1	Each
Name Plate	1	Each
Concrete Encasement	2.0	Cu. Yd.

PILE DATA

Type and Size _____ Steel HP10x42
 No. Req'd. _____ 8
 Nominal Req'd Bearing _____ 258 Kips/Pile
 Allowable Resistance Available _____ 86 Kips/Pile
 Est. Lengths _____ 20 Ft/Pile

Notes: The test piles shall be driven to 110 percent of the Nominal Required Bearing indicated in the pile data information.
 * Includes one test pile to be driven in a permanent location, at the South Abutment.

HAMPTON, LENZINI & RENWICK, INC.
 CIVIL & STRUCTURAL ENGINEERS

HLR

3085 STEVENSON DRIVE, SUITE 201
 SPRINGFIELD, ILLINOIS 62703
 (217) 546-3400

ELGIN • SPRINGFIELD

PROJECT NUMBER: 12-87-0017-1 DATE: 12/18/06
 DESIGNED: J.W.F. CHECKED: S.W.M. DRAWN: D.T.M.

ABUTMENTS
 SECTION 06-19116-00-BR
 RURAL ROAD DISTRICT
 SHELBY COUNTY
 STRUCTURE NO. 087-3556 / STATION 10+06