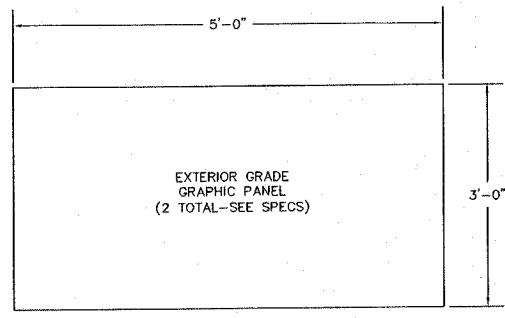
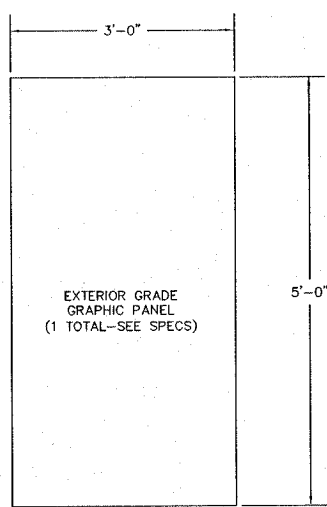


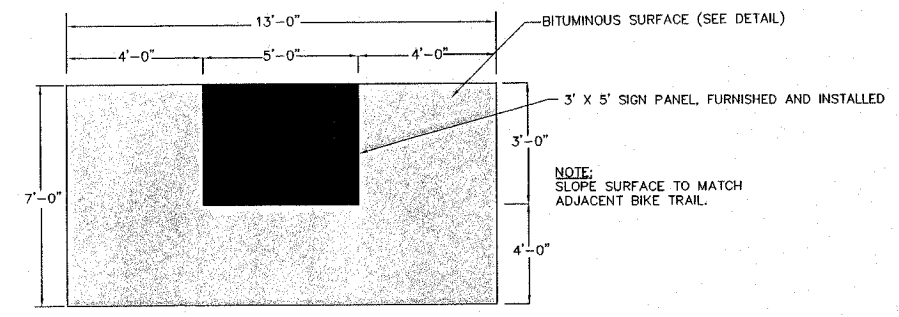
F.A. RTE.	SECTION	COUNTY	TOTAL SHEETS	SHEET NO.
	03-00017-00-BT	MADISON	19	3
MADISON COUNTY ILLINOIS		FED. AID PROJECT		
CONTRACT No. 97286				



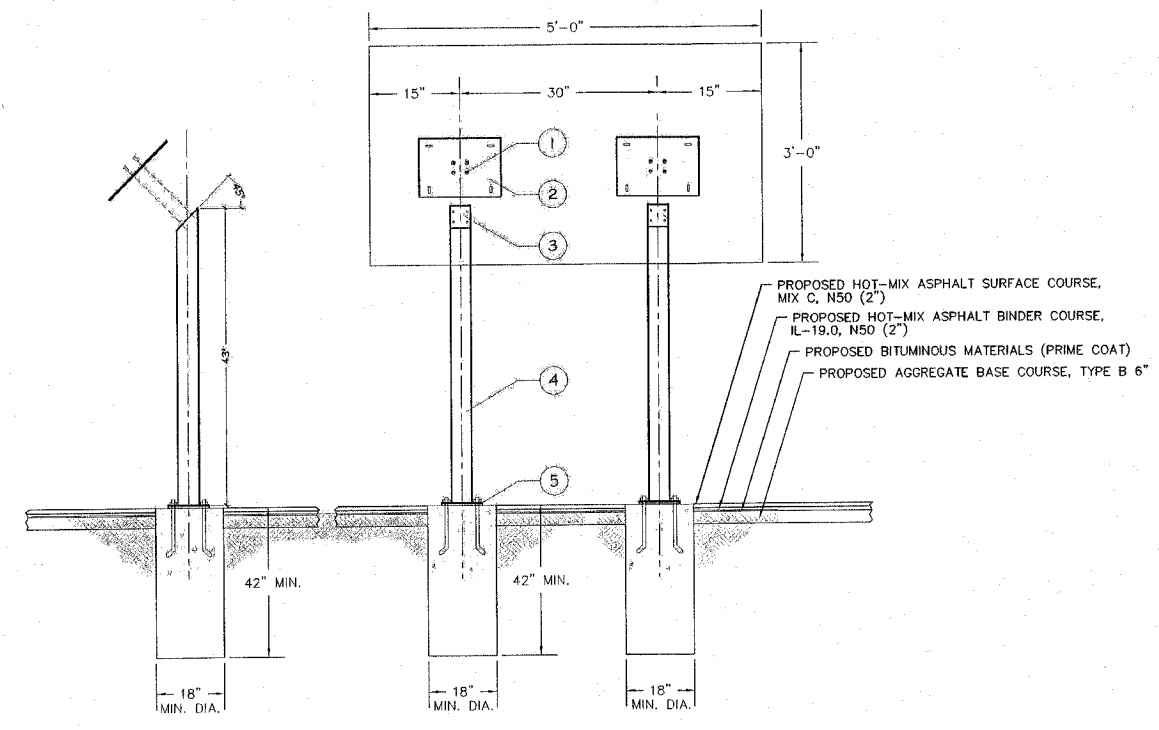
SIGN PANEL
FURNISHED AND INSTALLED
NOT TO SCALE



SIGN PANEL
FURNISHED ONLY
NOT TO SCALE



SITE PLAN: SIGN PANEL,
FURNISHED AND INSTALLED
NOT TO SCALE



PROFILE
ELEVATION
PEDESTAL SUPPORT DETAIL
NOT TO SCALE

- LEGEND**
- COUNTERSUNK HOLES (FOR FLAT-HEAD SCREWS SECURING MOUNTING PLATE TO POST).
 - 12" X 12" X 3/16" STANDARD STEEL PLATE WITH 4" OVAL HOLES.
 - WELDED POST CAP WITH 4 THREADED HOLES (TO RECEIVE FLAT-HEAD SCREWS SECURING MOUNTING PLATE TO POST).
 - 3" X 3" X 1/8" SQUARE STEEL POST.
 - 6" X 6" X 3/8" BASEPLATE WITH 4 HOLES 5/8" DIAMETER.

REVISIONS

SMS ENGINEERS
Sheppard, Morgan & Schwaab, Inc.
CONSULTING ENGINEERS AND LAND SURVEYORS
215 Market Street, P.O. Box E, Alton, IL 62002 618462-9755 E-mail: mail@smsengineers.com
10 Central Industrial Drive, Granite City, IL 62040 618377-4700 E-mail: mail@smsengineers.com
DESIGN FIRM # 184-000992

VILLAGE OF GODFREY, ILLINOIS
LAVISTA PARK NATURE TRAIL IMPROVEMENTS
GODFREY SECTION 03-00017-00-BT
DETAILS OF CONSTRUCTION

DWG. NO.	KIOSK DETAILS.DWG
REF. BK.	PG.
JOB NO.	436010
DSN. BY:	CLA
DWN. BY:	CDP
CHK. BY:	JHH
DATE:	JUNE, 2006
SCALE:	N.T.S.
SHEET	3 OF 19

L:\proj\gofreys\gofreys.dwg, 11/12/06 11:23:41 AM, gpcat, 3310