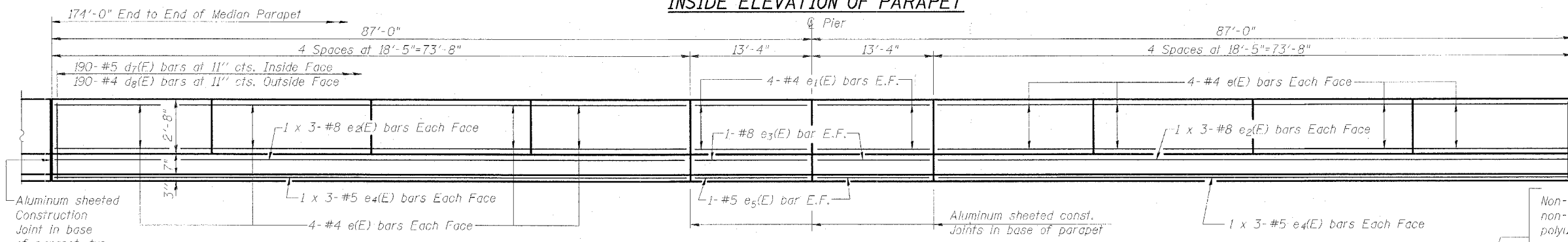


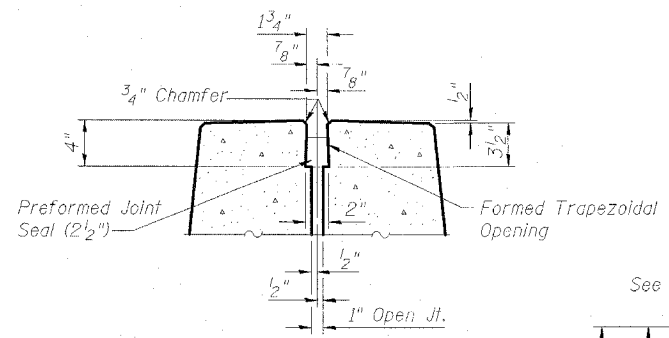
INSIDE ELEVATION OF PARAPET



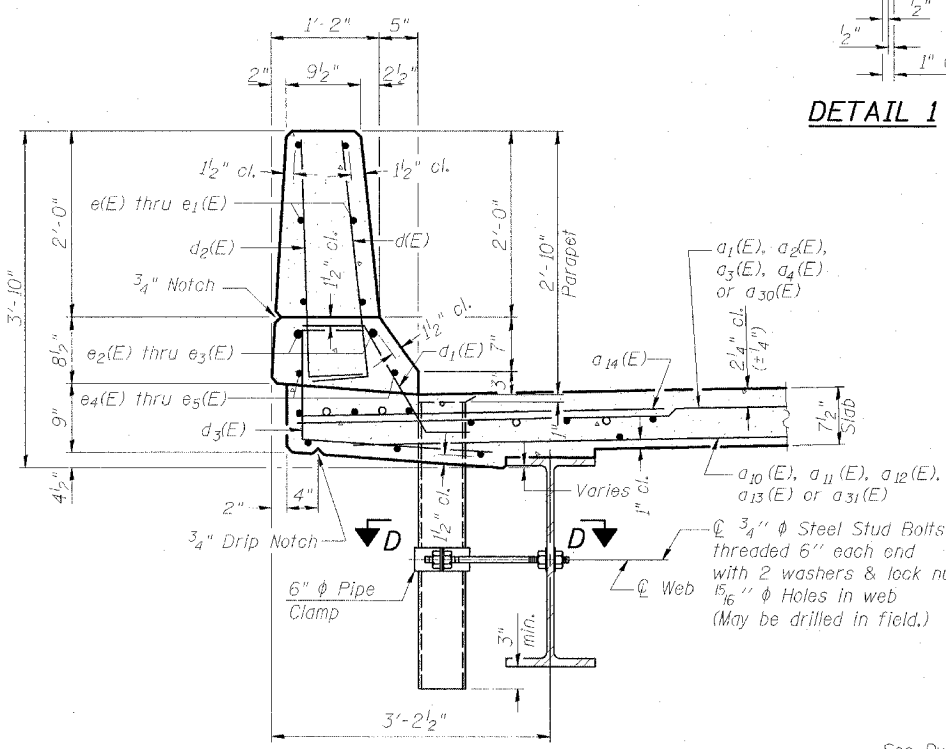
INSIDE ELEVATION OF MEDIAN BARRIER

MIN. BAR LAP

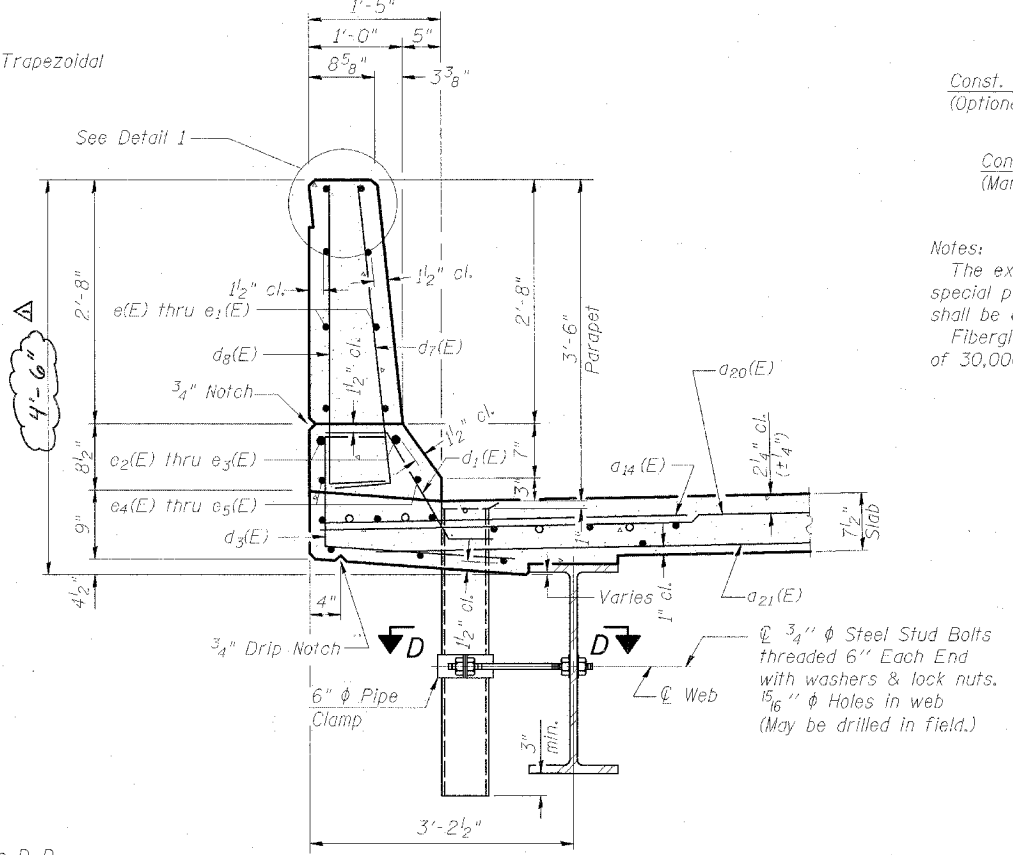
#5	1'-8"
#8	3'-8"



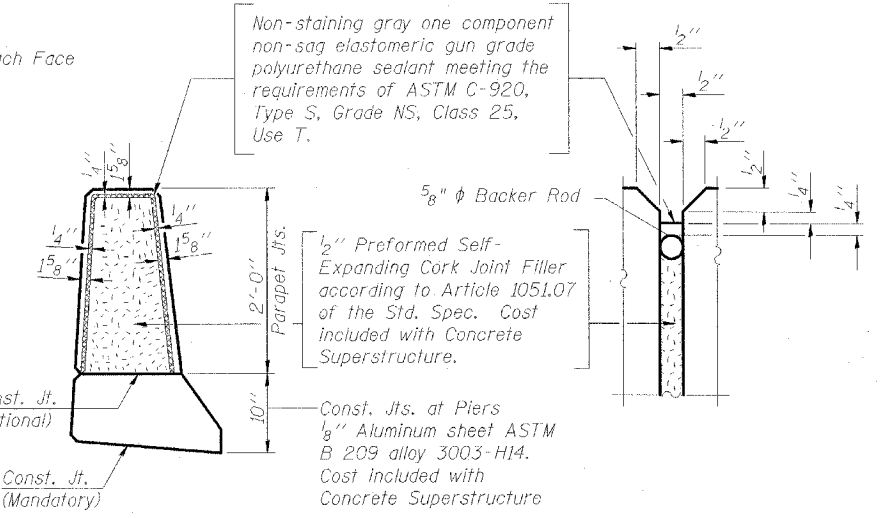
DETAIL 1



SECTION THRU OUTER PARAPET



SECTION THRU MEDIAN PARAPET



PARAPET JOINT DETAILS

Notes:
The exterior surfaces of the floor drains shall be painted with the finish coat as specified in the special provisions for Cleaning and Painting New Metal Structures. The exterior surfaces of the drains shall be cleaned according to Steel Structures Painting Council's Spec. SSPC-SP1 prior to painting.
Fiberglass pipe shall conform to ASTM D 2996, with short-time rupture strength hoop tensile stress of 30,000 p.s.i. minimum.

PARAPET DETAILS

INTERSTATE 57 OVER
WEST MAIN ST. (OLD IL RT. 13)
F.A.I. RT. 57 SEC. (X1-6)HBK-2
WILLIAMSON COUNTY
STATION 1529+96.11
STRUCTURE NO. 100-0084 (N.B.)
STRUCTURE NO. 100-0085 (S.B.)

DESIGN FIRM REGISTRATION
No. 184-000450

Clark Dietz
ENGINEERS

1817 SOUTH NEIL STREET
SUITE 100
CHAMPAIGN, IL 61820
PHONE : 217.373.8900
FAX : 217.373.8923

NOTE: DIMENSIONAL DATA IS NOT TO BE OBTAINED BY SCALING ANY PORTION OF THIS DRAWING.

DRAWING NUMBER
S-12