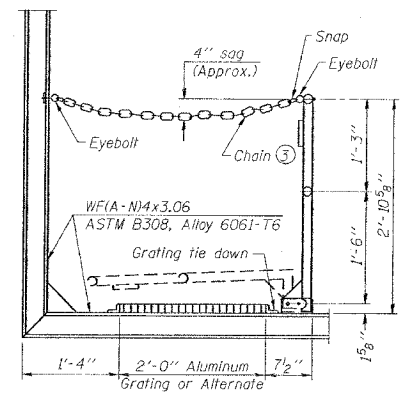
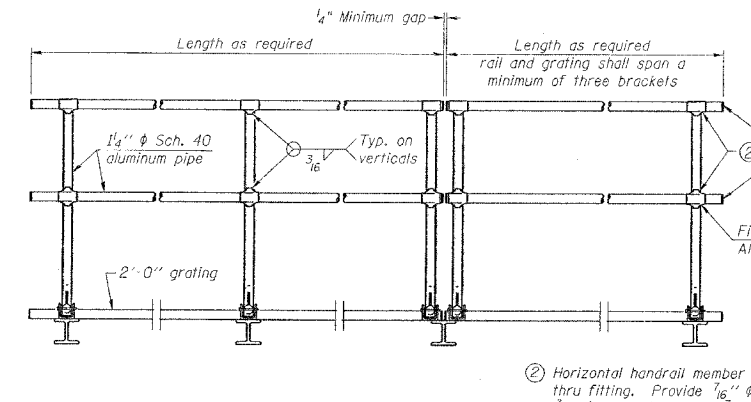


F.A. RT.	SECTION	COUNTY	TOTAL SHEETS	SHEET NO.
*	**	WILLIAMSON	917	760
STA.		TO STA.		
FED. ROAD DIST. NO.		ILLINOIS FED. AID PROJECT		
* I-57, & OLD IL 13 (FAU 9629)				
** (X1-6-2)VB-2,(X1-6)HBK-2				



**SIDE ELEVATION**  
(Showing safety chain w/o sign)

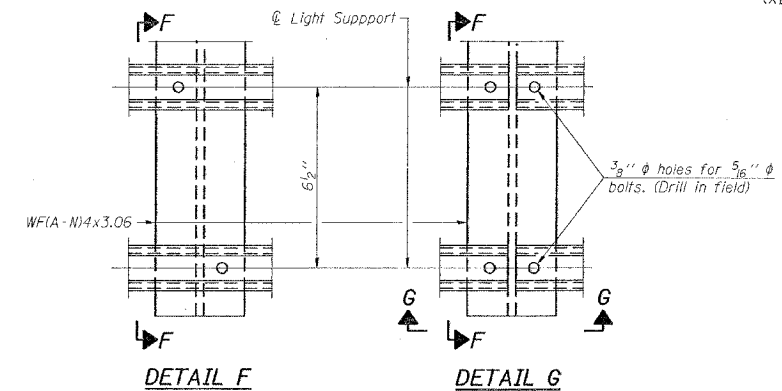


**FRONT ELEVATION**

**HANDRAIL DETAILS**

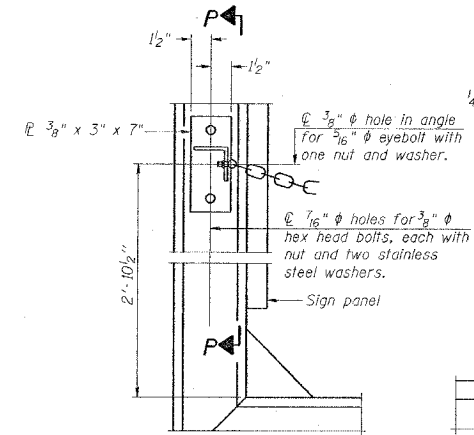
Handrail pipe shall be ASTM B241, Alloy 6063-T6 or Alloy 6061-T6.

- Install standard force-fit end caps or weld 3/8" end plates with 3/8" c.f.w. and grind smooth. (All rail ends)
- Horizontal handrail member shall be continuous thru fitting. Provide 7/16" hole in fitting for 3/8" bolt. Field drill 7/16" hole in horizontal rail member. Provide locknut and two stainless steel washers for bolt. Use 5/16" eyebolts in 7/16" holes on top rail at ends only.



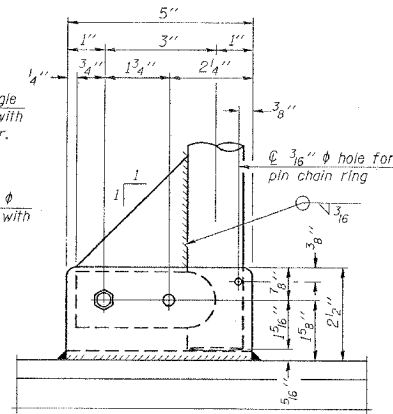
**DETAIL F**

**DETAIL G**

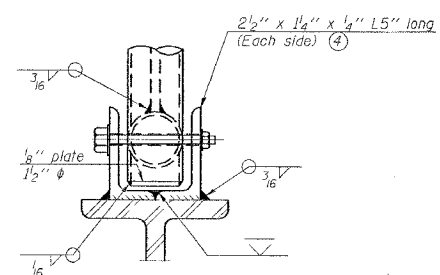


**ALTERNATE SAFETY CHAIN ATTACHMENT**  
(With Sign Present)

Items not shown same as "Side Elevation" of "Handrail Details"

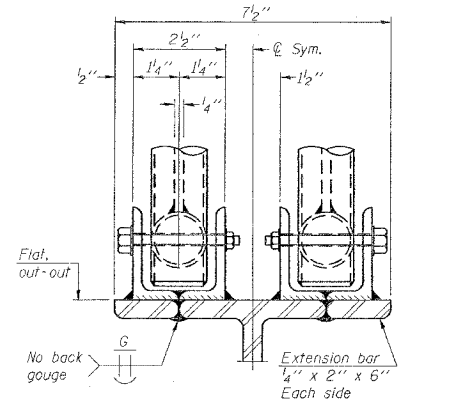


**SIDE ELEVATION**

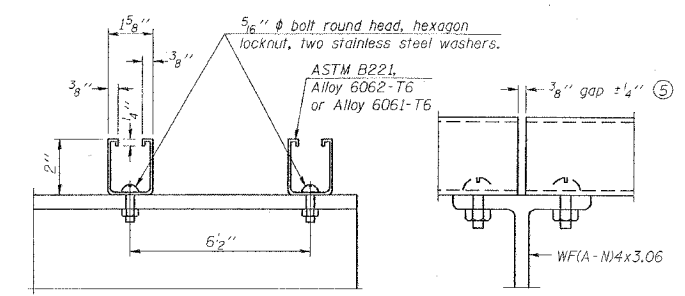


**FRONT ELEVATION**

See "Elevation" of right for dimensions.



**ELEVATION AT HANDRAIL JOINT**

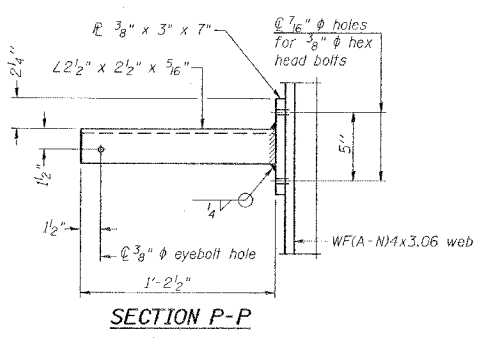


**SECTION F-F**

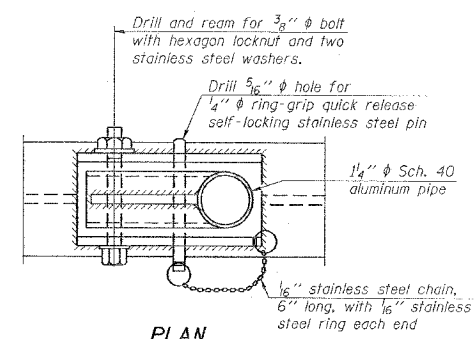
**SECTION G-G**

**LIGHTING FIXTURE MOUNTS (IF REQUIRED)**

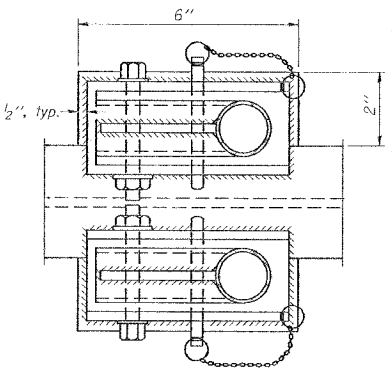
- Field cut ends of light support channels shall be free of burrs or hazardous projections and coated with zinc-rich primer or equivalent.



**SECTION P-P**

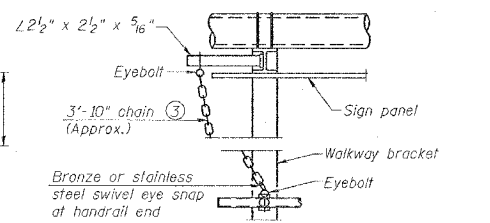


**PLAN DETAIL E HANDRAIL HINGE**



**PLAN AT HANDRAIL JOINT**

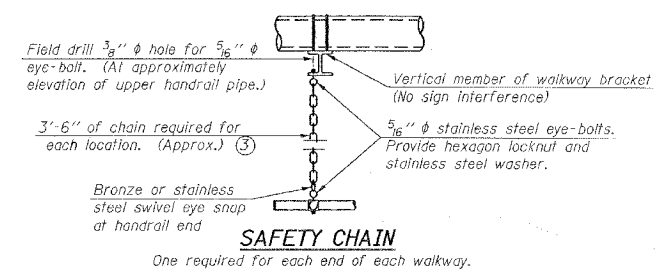
Details not shown same as "PLAN"



**ALTERNATE SAFETY CHAIN ATTACHMENT**

Details not shown similar to "Safety Chain" Details (Walkway omitted for clarity)

- 3/8" galvanized steel chain, approximately 12 links per foot. Chain to be hot dip galvanized after manufacture and suitable for prolonged exterior exposure. Alternate materials may be substituted with the Engineer's approval.
- Extrusions may be used in lieu of the details shown, with approval of the Engineer.



**SAFETY CHAIN**

One required for each end of each walkway.

NUMBER	REVISION	DATE

REVISIONS		ILLINOIS DEPARTMENT OF TRANSPORTATION
NAME	DATE	
		<b>OVERHEAD SIGN STRUCTURES</b> <b>ALUMINUM HANDRAIL DETAILS</b>
		SCALE: VERT. NONE HORIZ. DATE
		DRAWN BY CNH CHECKED BY

DATE = 10/12/2006  
 FILE NAME = c:\p0\projects\98950\2802\ed13\al355.dgn  
 USER NAME = jfj