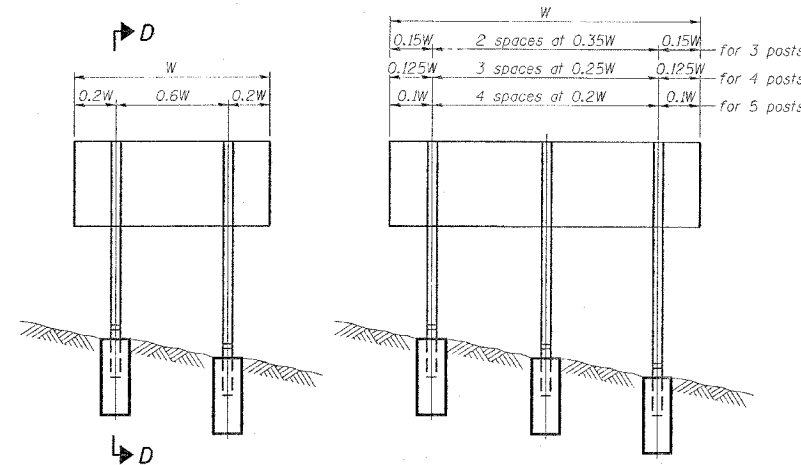
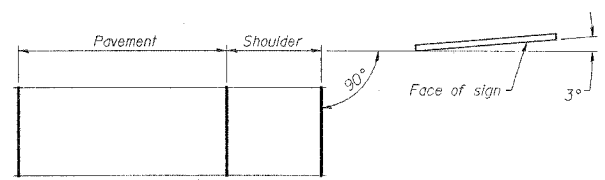


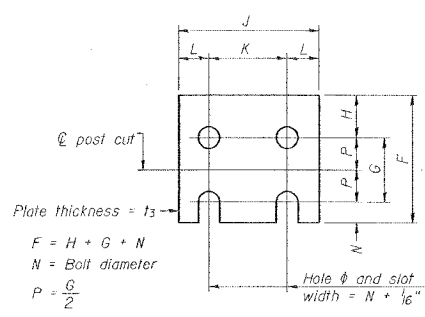
| F.A. RTE.                                     | SECTION | COUNTY     | TOTAL SHEETS | SHEET NO. |
|---|---------|------------|--------------|-----------|
| *   | **      | WILLIAMSON | 917          | 762       |
| STA. TO STA.                                  |         |            |              |           |
| FED. ROAD DIST. NO. ILLINOIS FED. AID PROJECT |         |            |              |           |
| * I-57, & OLD IL 13 (FAU 9629)                |         |            |              |           |
| ** (X1-6-2)VB-2,(X1-6)HBK-2                   |         |            |              |           |



ELEVATION



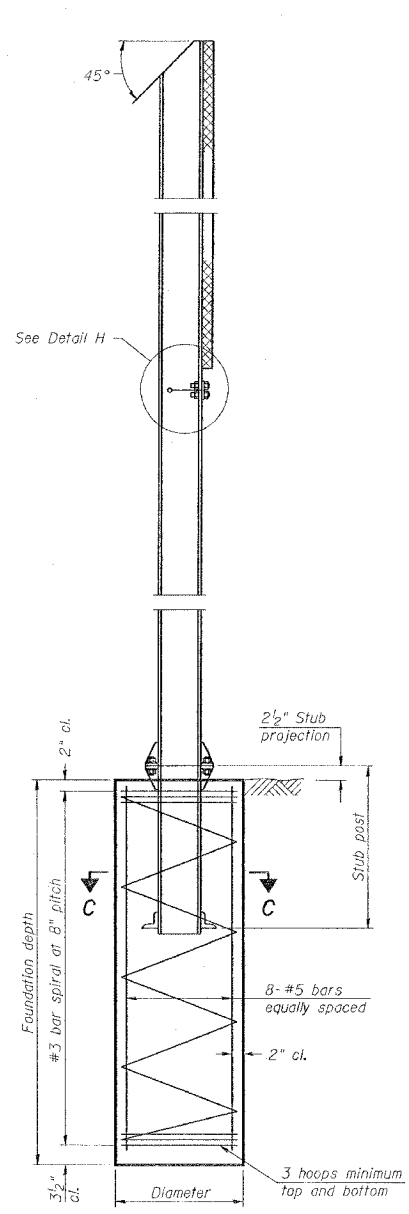
LOCATION SKETCH



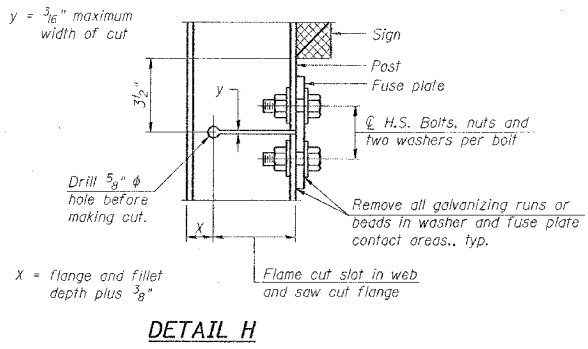
FUSE PLATE DETAIL  
(Install with notches down.)

| N = Bolt Diameter | G      | H      |
|-------------------|--------|--------|
| 1/2"              | 2"     | 1 1/8" |
| 5/8"              | 2 1/4" | 1 1/4" |
| 3/4"              | 2 1/2" | 1 3/8" |
| 7/8"              | 2 3/4" | 1 1/2" |
| 1"                | 3"     | 1 5/8" |
| 1 1/8"            | 3 1/4" | 1 3/4" |

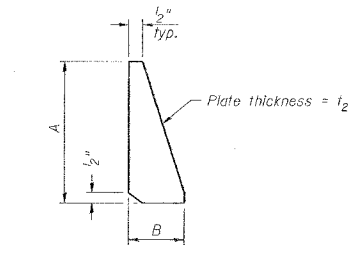
| NUMBER | REVISION | DATE |
|--------|----------|------|
|        |          |      |
|        |          |      |
|        |          |      |
|        |          |      |



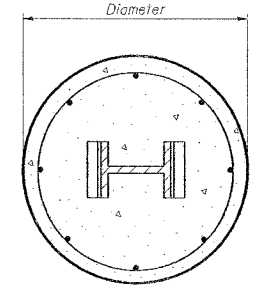
SECTION D-D



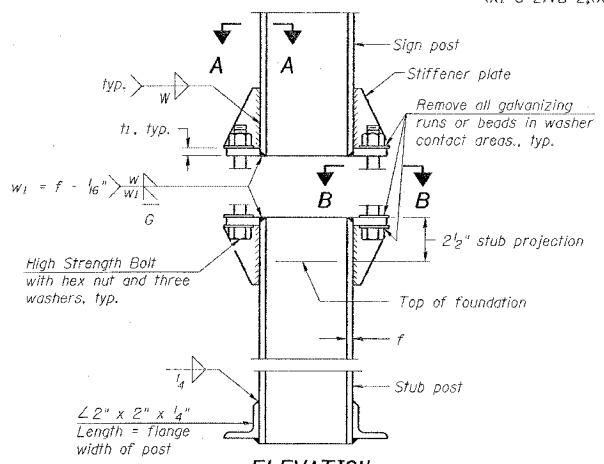
DETAIL H



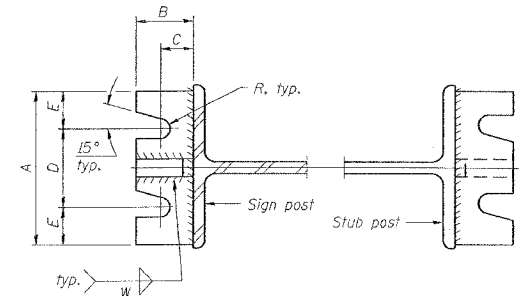
STIFFENER PLATE DETAIL  
(See table for dimensions.)



SECTION C-C

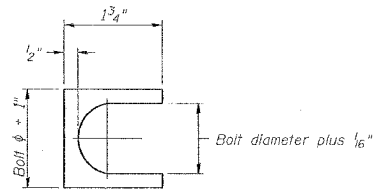


ELEVATION  
SIGN POST & STUB POST



SECTION A-A

SECTION B-B



SHIM DETAIL

Furnish two 0.01" thick and two 0.03" thick stainless steel or brass (ASTM B36) shims per post.

GENERAL NOTES

Posts shall be plumbed by using shims with post-to-stub post connection bolts snug tight only. Final tightening of all High Strength Bolts shall be in accordance with Article 505.04(FX3), and threads at the junction of the bolt and nut shall be burred or center punched to prevent the nut from loosening.

LOADING: 80 m.p.h. wind with 30% gust factor, normal to sign.

DESIGN STRESSES:  
Structural steel - 20,000 p.s.i.  
Reinforcing steel - 20,000 p.s.i.  
Concrete - 1,400 p.s.i.  
Footing soil pressure - 2,000 p.s.f.

After fabrication, the post, fuse plate and upper 6", min. of the stub post shall be hot-dip galvanized in accordance with AASHTO M111. All bolts, nuts and washers shall be hot-dip galvanized in accordance with AASHTO M232.

Work this sheet with Base Sheet BAW-A-2.

(Sheet 1 of 2)

| REVISIONS |      | ILLINOIS DEPARTMENT OF TRANSPORTATION          |  |
|-----------|------|--|--|
| NAME      | DATE | BREAK-AWAY WIDE FLANGE STEEL SIGN POST DETAILS |  |
|           |      |  |  |
|           |      |  |  |
|           |      |  |  |
|           |      |  |  |

SCALE: VERT. NONE  
HORIZ. DATE

DRAWN BY CNH  
CHECKED BY