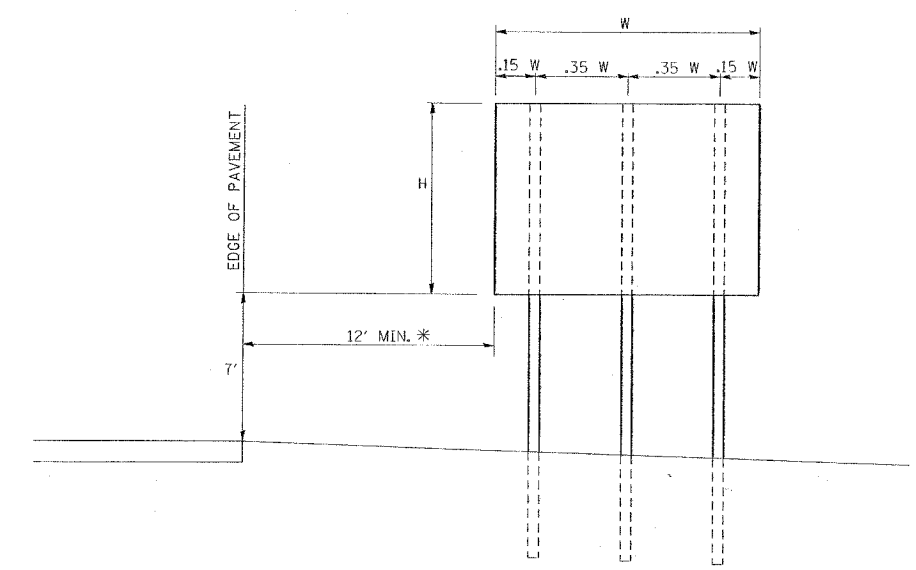
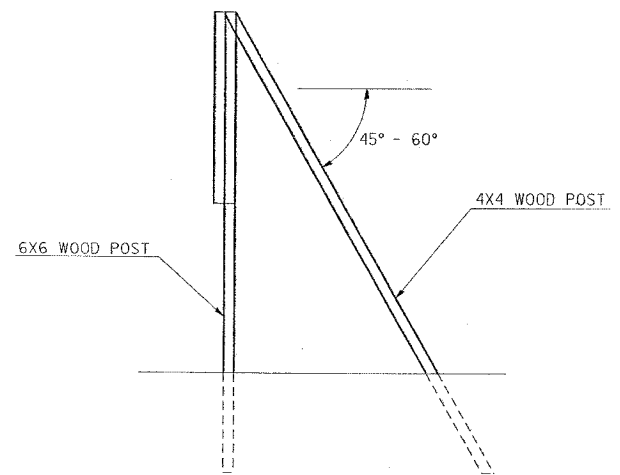


F.A. RTE.	SECTION	COUNTY	TOTAL SHEETS	SHEET NO.
*	**	WILLIAMSON	917	774
STA.		TO STA.		
FED. ROAD DIST. NO.		ILLINOIS FED. AID PROJECT		
* I-57, & OLD IL 13 (FAU 9629)				
* * (X1-6-2)VB-2,(X1-6)HBK-2				

TEMPORARY SIGNS



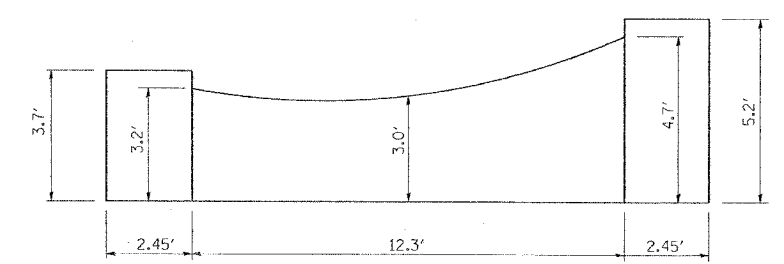
* IF SHOULDER IS WIDER THAN 6', THEN MIN. LATERAL OFFSET SHALL BE 6' FROM EDGE OF SHOULDER.



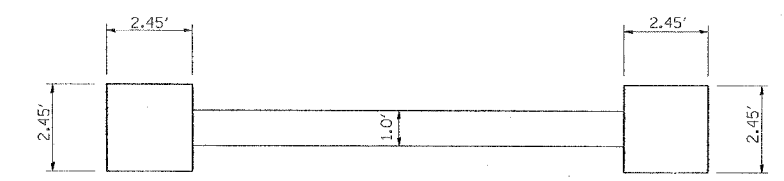
USE A 4X4 SUPPORT POST ON EVERY 6X6 VERTICAL SIGN POST.

STATION	HEIGHT	WIDTH	DESCRIPTION
1522+00	12'-0"	14'-6"	IL 13 WEST CARBONDALE 3/4
1523+00	17'-6"	11'-6"	IL 13 EAST MARION HARRISBURG 1/2
1527+00	9'-0"	12'-6"	MAIN ST. MARION

DETAIL: REMOVAL OF EXISTING STRUCTURES NO. 5
DETAIL: REMOVAL OF EXISTING STRUCTURES NO. 6



FRONT VIEW



TOP VIEW

THE EXISTING STRUCTURES ARE LOCATED RT. STA. 762+56 AND RT. STA. 763+03 ON EACH SIDE OF THE EXISTING CRISP DRIVE. THE OUTSIDE OF THE STRUCTURES IS BRICK. IT IS UNKNOWN IF THE CORE IS SOLID OR HOLLOW. THE SIZE AND DEPTH OF THE FOUNDATION IS ALSO UNKNOWN.

THE STRUCTURES SHALL BE COMPLETELY REMOVED, WHICH WORK SHALL INCLUDE ALL ATTACHMENTS SUCH AS LIGHTING AND CONDUIT, FOUNDATIONS, AND ANY CORE MATERIAL. THE WORK TO REMOVE THE STRUCTURE RT. STA. 762+56 WILL BE PAID FOR AT THE CONTRACT UNIT PRICE PER EACH FOR REMOVAL OF EXISTING STRUCTURES NO. 5. THE WORK TO REMOVE THE STRUCTURE RT. STA. 763+03 WILL BE PAID AT THE CONTRACT UNIT PRICE PER EACH FOR REMOVAL OF EXISTING STRUCTURES NO. 6.

REVISIONS	
NAME	DATE

ILLINOIS DEPARTMENT OF TRANSPORTATION
DETAILS:
TEMPORARY SIGNS; REMOVAL OF EXISTING STRUCTURES NO. 5 AND NO. 6
 SCALE: VERT. NONE
 HORIZ.
 DATE
 DRAWN BY CNH
 CHECKED BY