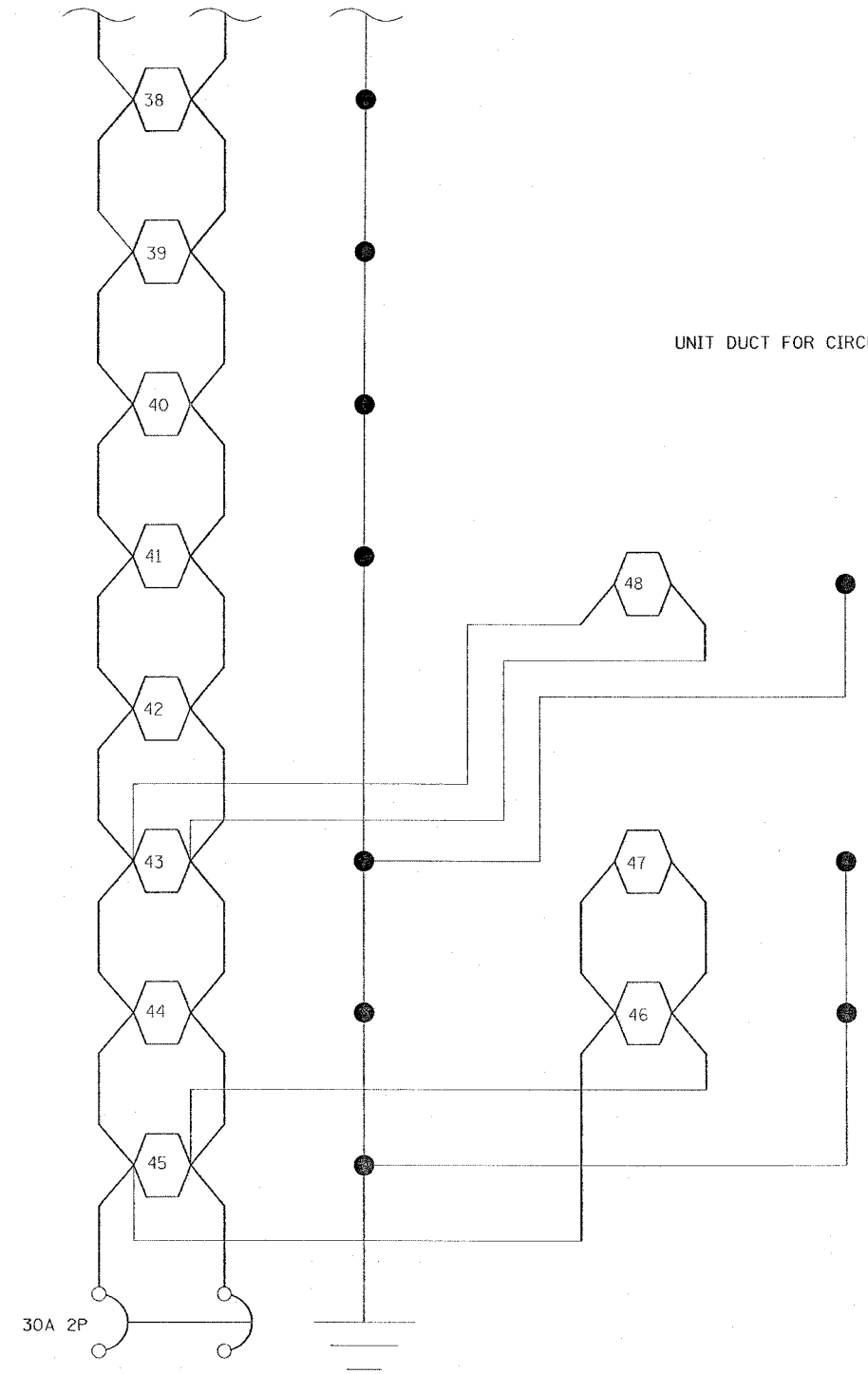


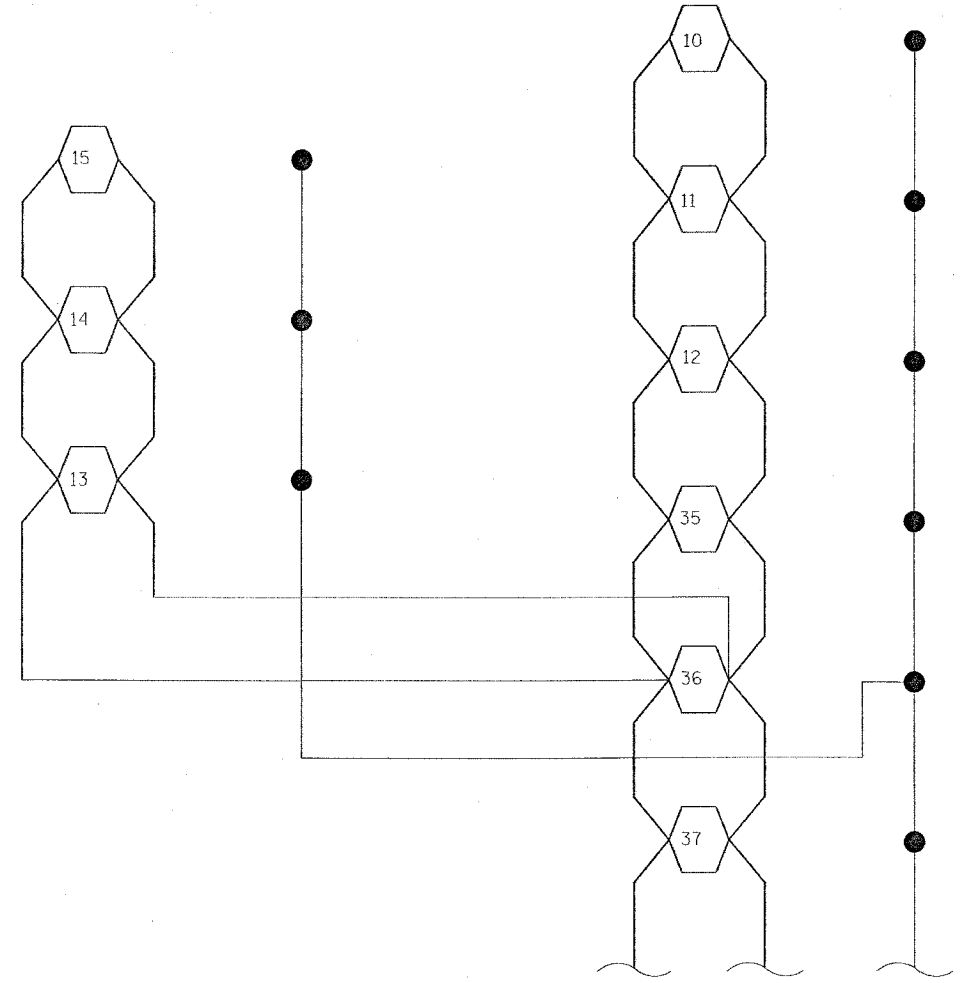
F.A. RTE.	SECTION	COUNTY	TOTAL SHEETS	SHEET NO.
*	**	WILLIAMSON	917	789

STA. TO STA.

FED. ROAD DIST. NO. ILLINOIS FED. AID PROJECT
 * 1-57, & OLD IL 13 (FAU 9629)
 * (X1-6-2)VB-2,(X1-6)HBK-2



UNIT DUCT FOR CIRCUIT "B" SHALL BE 3 *4 IN 1" P



PLOT DATE = 10/13/2006
 FILE NAME = c:\projects\98950\vol1\3\vol1\3p1.dgn
 USER NAME = hessan

REVISIONS	
NAME	DATE

ILLINOIS DEPARTMENT OF TRANSPORTATION

CIRCUIT "B"

SCALE: VERT. NONE
 HORIZ. NONE

DATE _____

DRAWN BY CNH
 CHECKED BY LA