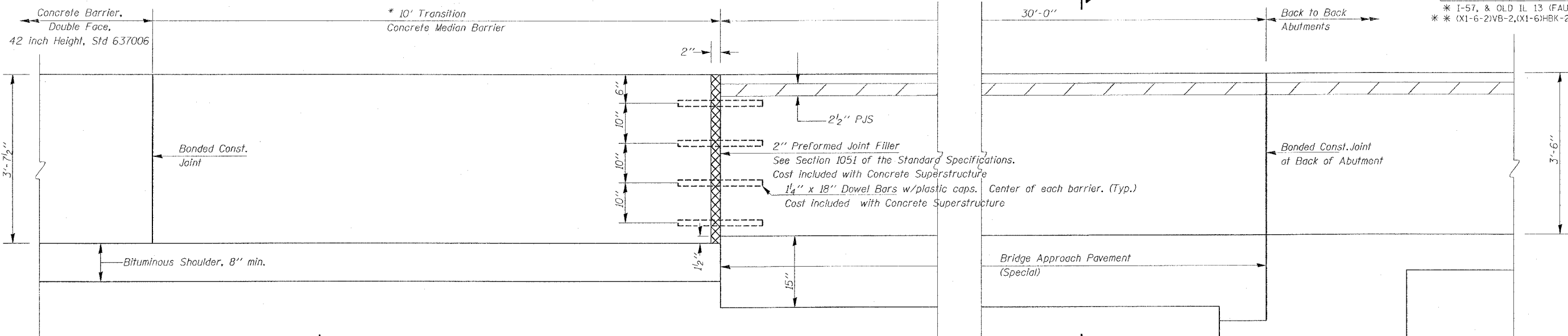


F.A. RTE.	SECTION	COUNTY	TOTAL SHEETS	SHEET NO.
*	**	WILLIAMSON	917	794

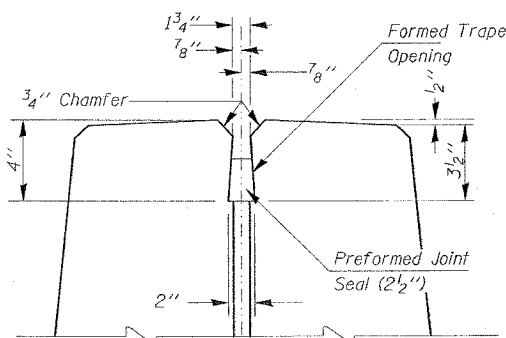
STA.	TO STA.
FED. ROAD DIST. NO.	ILLINOIS FED. AID PROJECT

* I-57, & OLD IL 13 (FAU 9629)
 ** (X1-6-2)VB-2,(X1-6)HKB-2

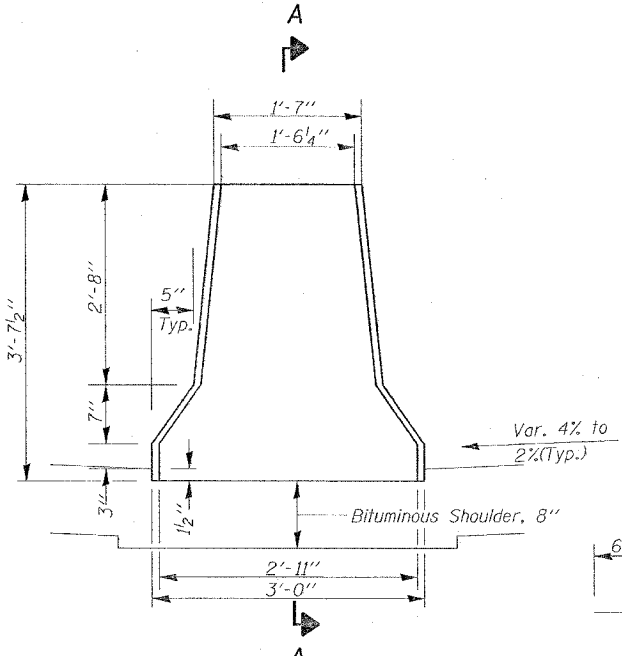


SECTION A-A THRU CENTERLINE OF CONCRETE MEDIAN BARRIER

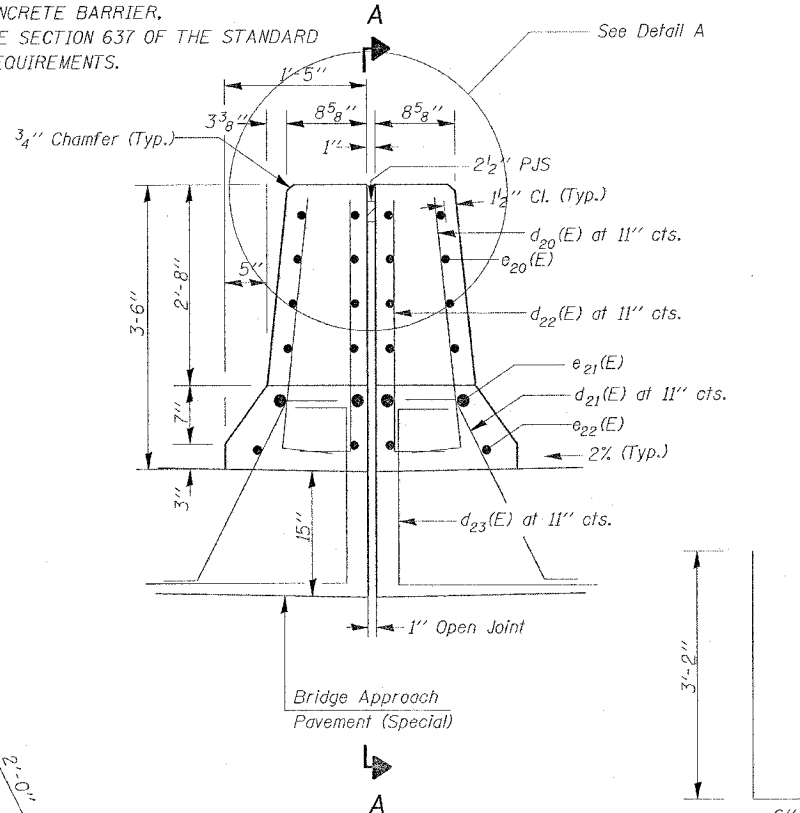
* THE COST OF THIS 10' TRANSITION CONCRETE MEDIAN BARRIER (FOUR LOCATIONS) SHALL BE INCLUDED IN THE OVERALL LENGTH MEASURED FOR CONCRETE BARRIER, DOUBLE FACE, 42 INCH HEIGHT. SEE SECTION 637 OF THE STANDARD SPECIFICATIONS FOR ADDITIONAL REQUIREMENTS.



DETAIL A



SECTION B-B

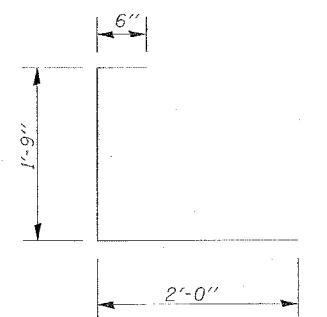


SECTION C-C

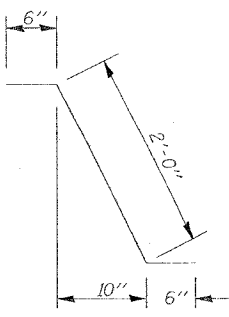
BILL OF MATERIAL
(Four Locations)

Bar	No.	Size	Length	Shape
d ₂₀ (E)	272	#5	3'-8"	
d ₂₁ (E)	272	#5	3'-0"	
d ₂₂ (E)	272	#4	3'-8"	
d ₂₃ (E)	272	#4	4'-3"	
e ₂₀ (E)	64	#4	29'-8"	
e ₂₁ (E)	16	#8	29'-8"	
e ₂₂ (E)	16	#5	29'-8"	
Preformed Joint Seal	2 1/2"	Foof	120	
Concrete Superstructure		Cu. Yd.	29.8	
Reinforcement Bars, Epoxy Coated		Lbs.	6360	

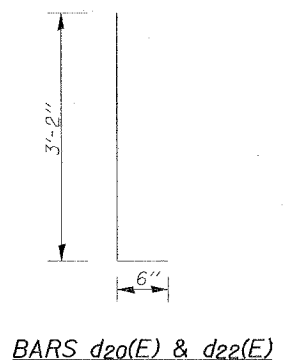
Reinforcement bars designated (E) shall be epoxy coated.



BARS d₂₃(E)



BARS d₂₁(E)



BARS d₂₀(E) & d₂₂(E)

REVISIONS	
NAME	DATE

ILLINOIS DEPARTMENT OF TRANSPORTATION
**30' CONCRETE MEDIAN BARRIER
 ON THE BRIDGE APPROACH
 PAVEMENT (SPECIAL)**

SCALE: VERT. NO SCALE
 HORIZ. DATE
 DRAWN BY WH
 CHECKED BY