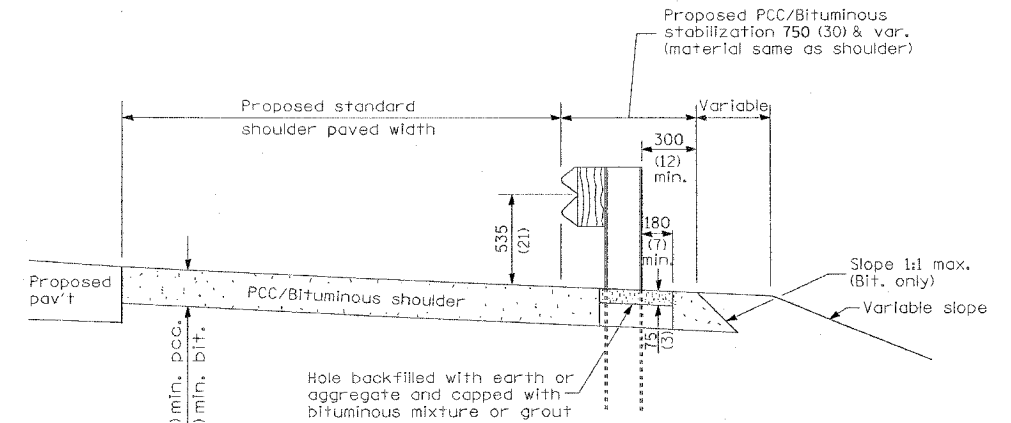
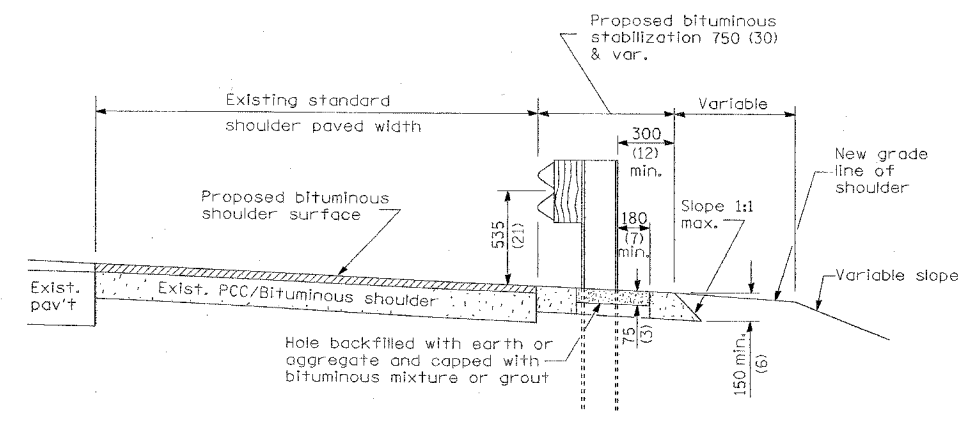
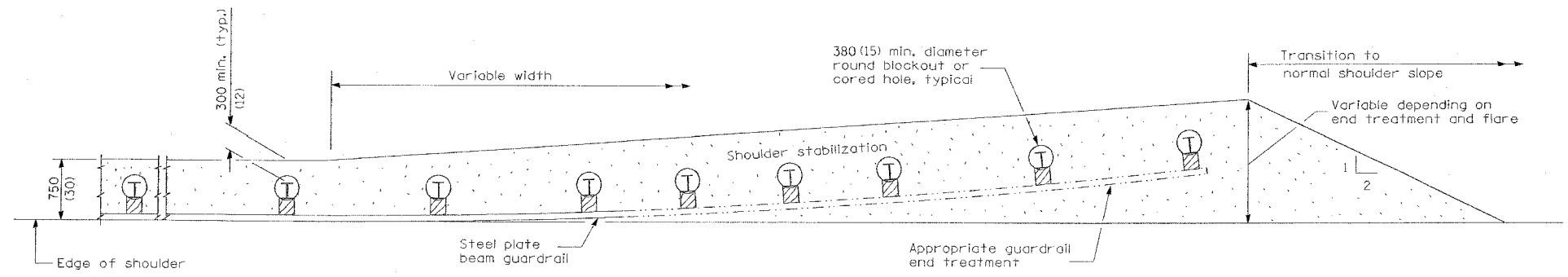


CONTRACT NO. 98950				
F.A. RTE.	SECTION	COUNTY	TOTAL SHEETS	SHEET NO.
*	**	WILLIAMSON	917	829
STA.		TO STA.		
FED. ROAD DIST. NO.	ILLINOIS	FED. AID PROJECT		
* I-57, & OLD IL 13 (FAU 9629)				
* (X1-6-2)VB-2,(X1-6)HBK-2				



GENERAL NOTES
 See Standard 482001, 482006 or 483001 for details not shown.
 All dimensions are in millimeters (inches) unless otherwise shown.

REVISIONS	
NAME	DATE

ILLINOIS DEPARTMENT OF TRANSPORTATION
PCC /BITUMINOUS STABILIZATION AT STEEL PLATE BEAM GUARDRAIL
STANDARD 630201-03
 SCALE: VERT. NO SCALE
 HORIZ. DATE
 DRAWN BY CNH
 CHECKED BY

PLOT DATE = 10/14/2005
 FILE NAME = c:\pcc\pcc\std630201-03.dgn
 USER NAME = mason