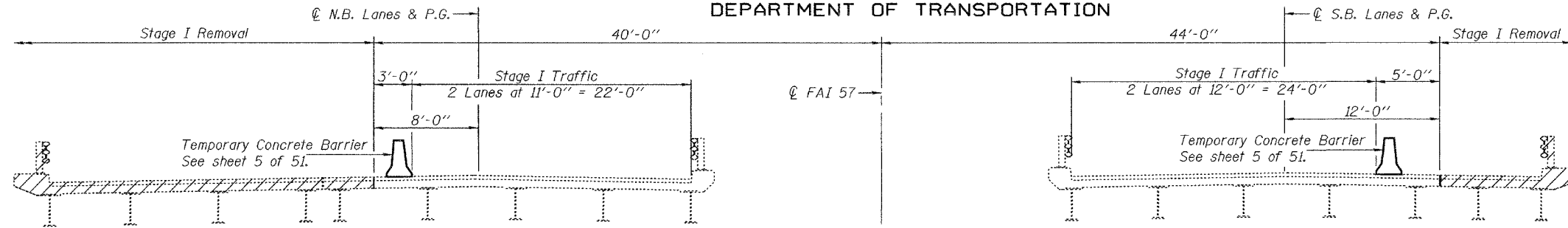


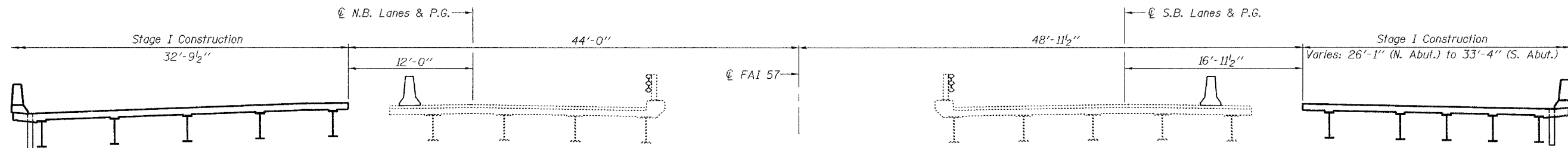
STATE OF ILLINOIS
DEPARTMENT OF TRANSPORTATION

ROUTE NO.	SECTION	COUNTY	TOTAL SHEETS	SHEET NO.	SHEET NO. 4 51 SHEETS
F.A.I. 57	(X1-6-2) VB-2	WILLIAMSON	917	837	
FED. ROAD DIST. NO. 7		ILLINOIS	FED. AID PROJECT-		

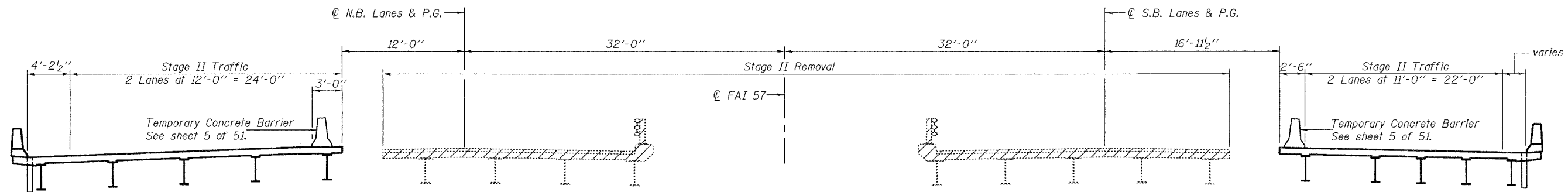
Contract #98950



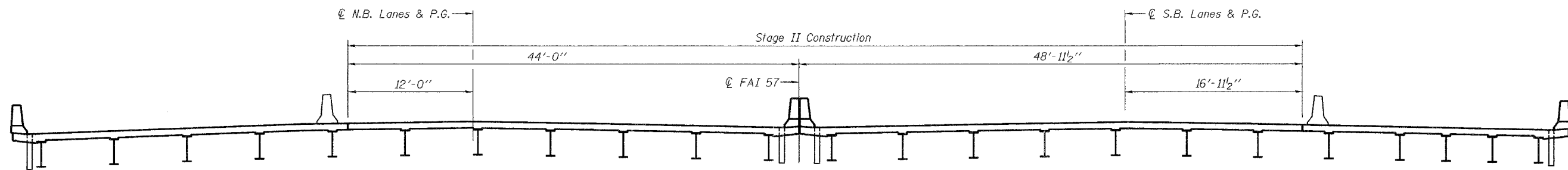
STAGE I REMOVAL



STAGE I CONSTRUCTION



STAGE II REMOVAL



STAGE II CONSTRUCTION

DESIGNED	Michael D. Cima
CHECKED	Fess Teklehaimanot
DRAWN	BECKY M. LEACH
CHECKED	M.D.C. & F.T.

EXAMINED	Thomas J. Damagalki PROFESSOR OF BRIDGE DESIGN	January 22, 2007
PASSED	Ralph E. Anderson ENGINEER OF BRIDGES AND STRUCTURES	

Notes:
All sections are looking South.
Hatched area indicates Removal of Existing Structures No. 3 or No. 4.

STAGE CONSTRUCTION DETAILS
F.A.I. RT. 57 SEC. (X1-6-2)VB-2
WILLIAMSON COUNTY
STA. 1516+58.56
S.N. 100-0086 (N.B.)
S.N. 100-0087 (S.B.)