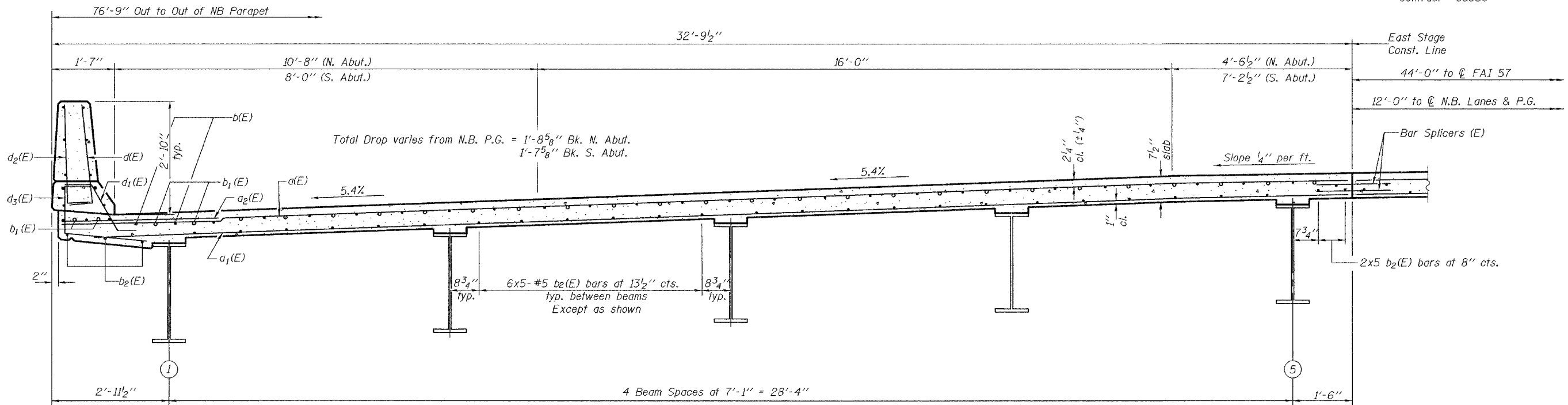


STATE OF ILLINOIS  
DEPARTMENT OF TRANSPORTATION

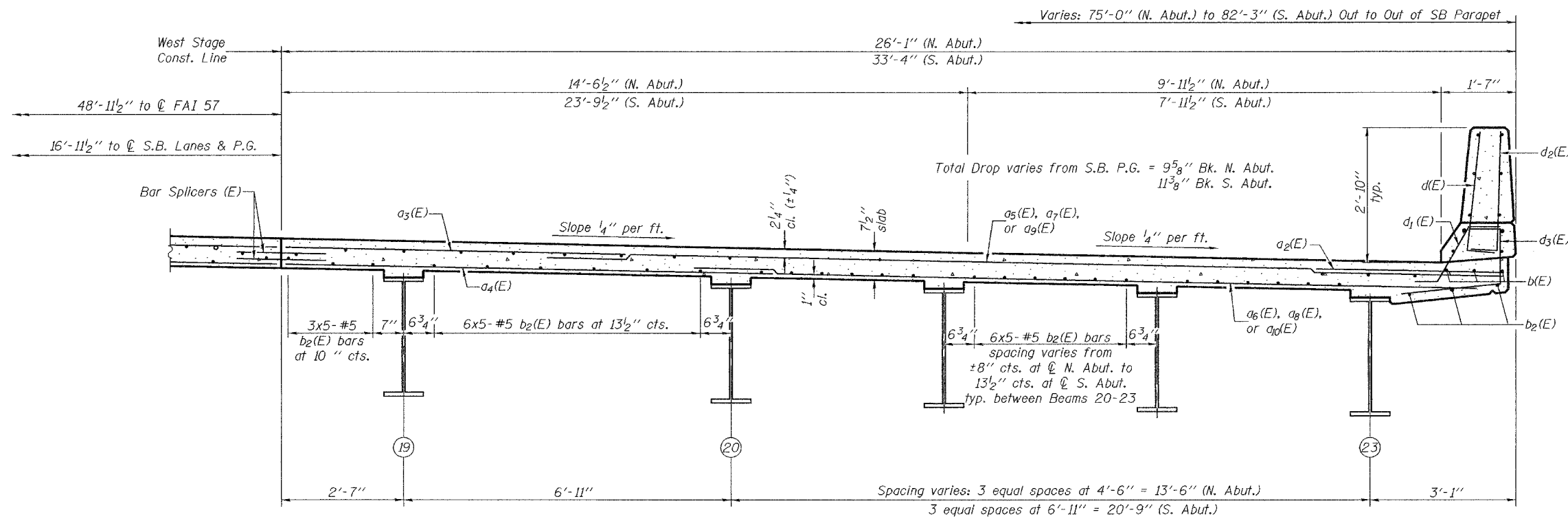
ROUTE NO.	SECTION	COUNTY	DATE	SHEET	SHEET NO. 16
F.A.I. 57	XI-6-2 VB-2	WILLIAMSON	9/17	849	51 SHEETS
FED. ROAD DIST. NO. 7	ILLINOIS	FED. AID PROJECT-			

Contract #98950



**CROSS SECTION - STAGE I NORTHBOUND**  
(Looking South)

NEAR PIER



**CROSS SECTION - STAGE I SOUTHBOUND**  
(Looking South)

NEAR MIDSPAN

Notes:  
See Sheet 12, 13, 19, and 24 of 51 for superstructure details and Bill of Material.  
Bars indicated thus 6 x 5-#5 etc. indicates 6 lines of bars with 5 lengths per line.  
See Sheet 18 of 51 for parapet reinforcement.  
See sheet 48 of 51 for Bar Splicer Details.

**SUPERSTRUCTURE (CROSS SECTIONS)**

(STAGE I-NB & STAGE I SB)

F.A.I. RT. 57 SEC. (XI-6-2)VB-2

WILLIAMSON COUNTY

STA. 1516+58.56

S.N. 100-0086 (N.B.)

S.N. 100-0087 (S.B.)

DESIGNED	Michael D. Cima
CHECKED	Fess Tektelaimanot
DRAWN	BECKY M. LEACH
CHECKED	M.D.C. & F.T.

EXAMINED	Thomas J. Damgalak	January 22, 2007
PASSED	Ralph E. Anderson	