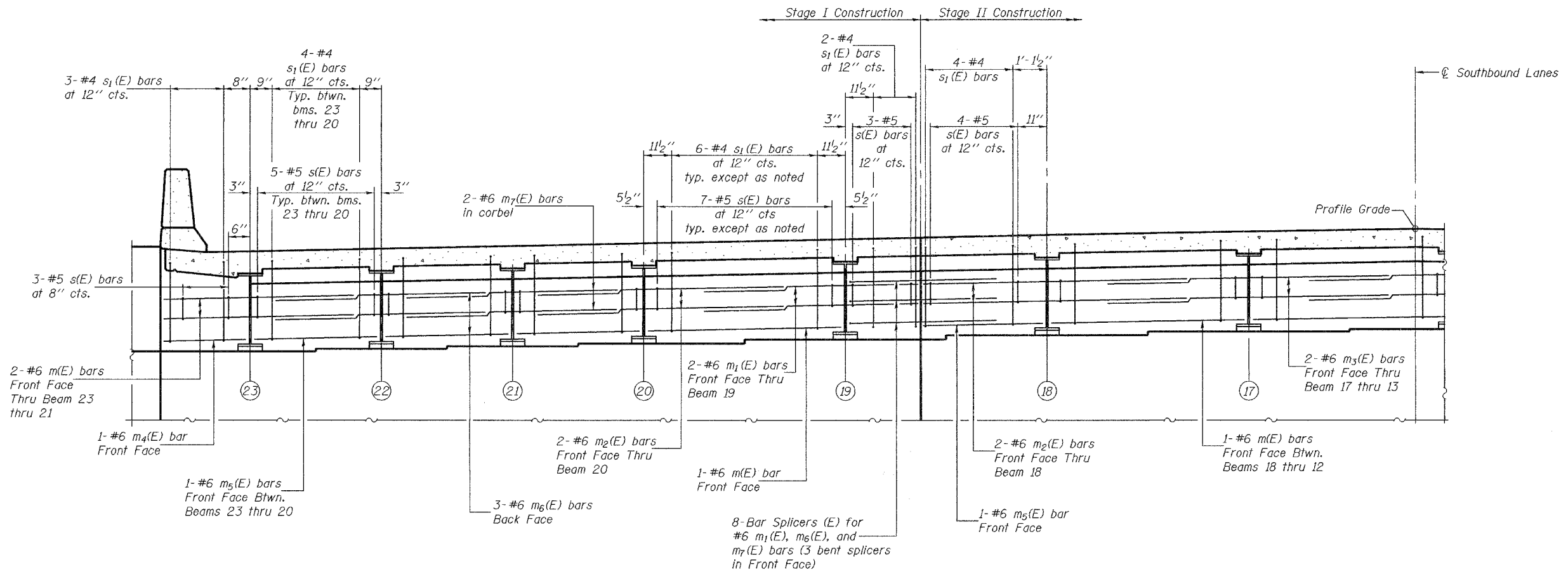


STATE OF ILLINOIS  
DEPARTMENT OF TRANSPORTATION

ROUTE NO.	SECTION	COUNTY	TOTAL SHEETS	SHEET NO.	SHEET NO. 20
F.A.I. 57	XI-6-2) VB-2	WILLIAMSON	917	353	51 SHEETS
FED. ROAD DIST. NO. 7	ILLINOIS	FED. AID PROJECT-			

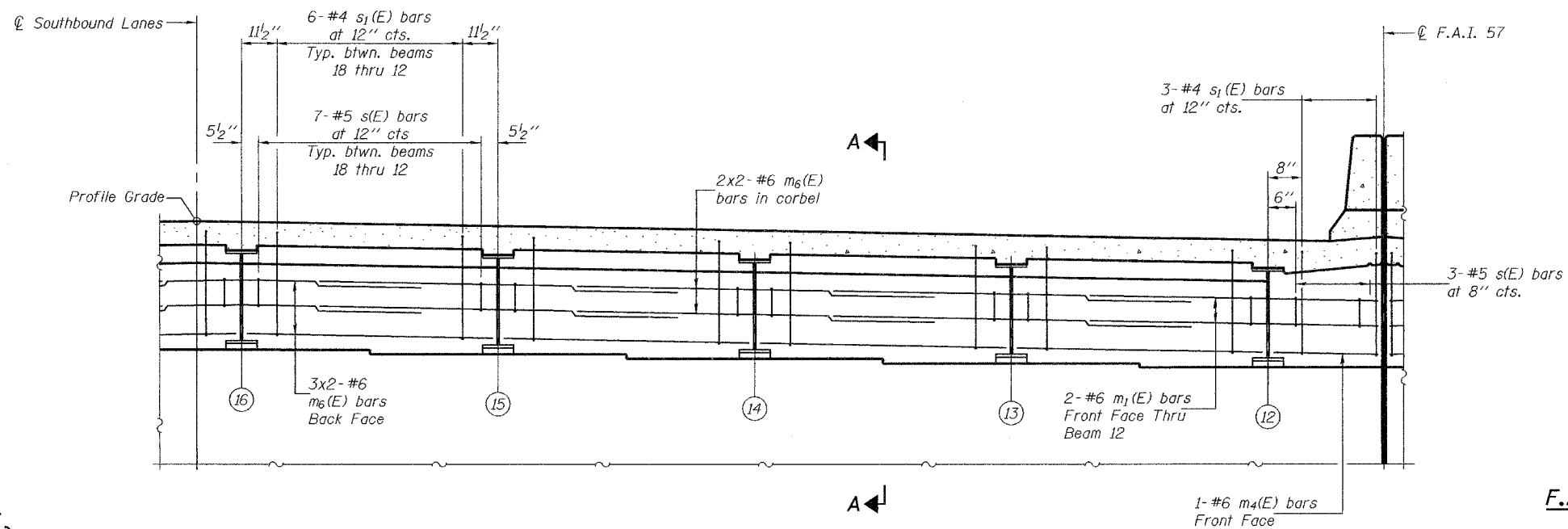
Contract #98950



**MIN. BAR LAP**

#6 bar = 2'-9"

Notes:  
Reinforcement bars in diaphragm are billed with superstructure on sheet 19 of 51.  
Concrete in diaphragm is included with Concrete Superstructure on sheet 19 of 51.  
For details of bars s(E) & s<sub>1</sub>(E) see sheet 19 of 51.  
The s(E) and s<sub>1</sub>(E) bars shall be placed parallel to the beams. Spacing for these bars shall be at right angles to the beams.  
For Bar Splicer Details see sheet 48 of 51.  
For Section A-A see sheet 24 of 51.  
Bars indicated thus 3x2-#6 etc. indicates 3 lines of bars with 2 lengths per line.



**ELEVATION**

Looking North, at North Abutment, SN 100-0087 (S.B.)

DESIGNED	Michael D. Cima
CHECKED	Fess Teklehaimanot
DRAWN	BECKY M. LEACH
CHECKED	M.D.C. & F.T.

EXAMINED	January 22, 2007
PASSED	Thomas J. Demagalibi
	Ralph E. Anderson

**DIAPHRAGM DETAILS**  
F.A.I. RT. 57 SEC. (X1-6-2)VB-2  
WILLIAMSON COUNTY  
STA. 1516+58.56  
S.N. 100-0086 (N.B.)  
S.N. 100-0087 (S.B.)