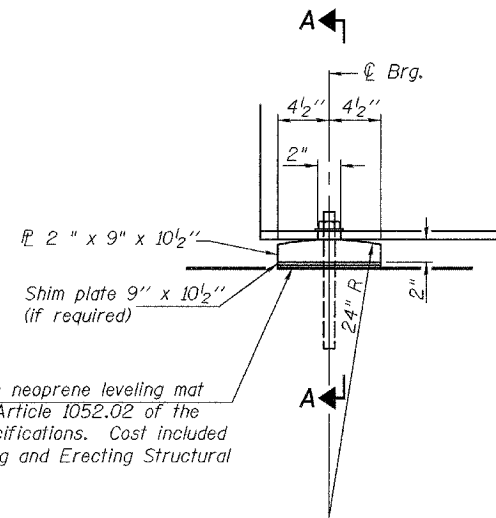


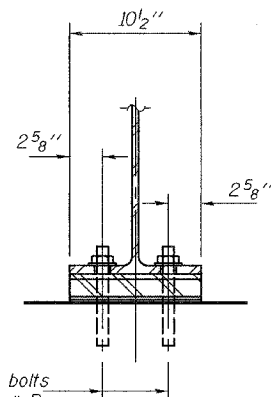
STATE OF ILLINOIS
DEPARTMENT OF TRANSPORTATION

ROUTE NO.	SECTION	COUNTY	DATE	SHEET	SHEET NO.
F.A.I. 57	(X1-6-2) VB-2	WILLIAMSON	9/17	862	51 SHEETS
FED. ROAD DIST. NO. 7		ILLINOIS	FED. AID PROJECT-		

Contract #98950



ELEVATION AT ABUTMENT

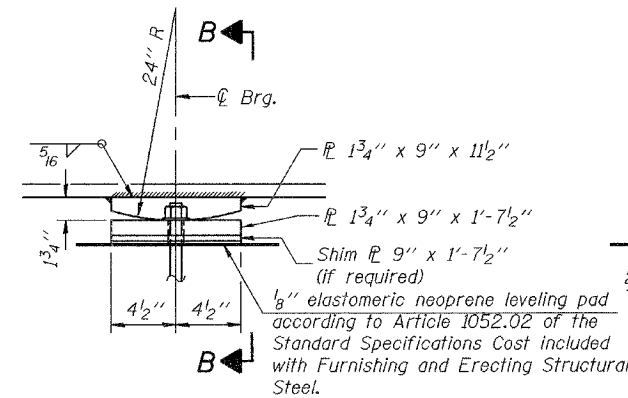


SECTION A-A

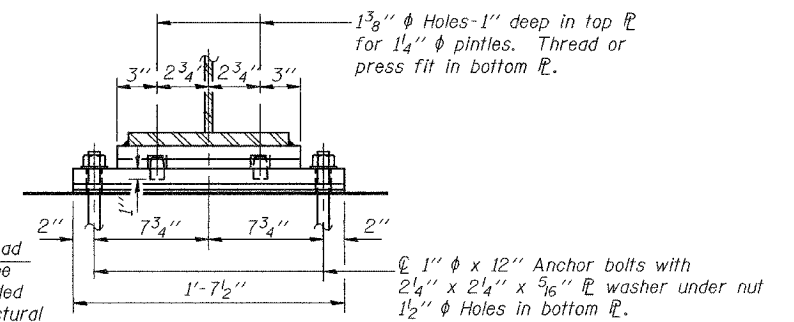
1" ϕ x 12" anchor bolts with 2 1/4" x 2 1/4" x 5/16" \mathbb{E} washer under nut. 1 3/8" x 2" slotted hole in flange. 1 1/2" ϕ holes in bearing plate. (Contractor has the option of cast in place or drilled construction.)

1/8" elastomeric neoprene leveling mat according to Article 1052.02 of the Standard Specifications. Cost included with Furnishing and Erecting Structural Steel.

FIXED BEARINGS AT ABUTMENTS
(46 Required)



ELEVATION AT PIER

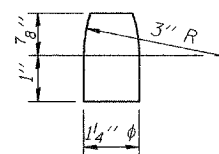


SECTION B-B

FIXED BEARING AT PIERS
(46 Required)

Notes:

Anchor bolts at fixed bearings may be built into the masonry. See sheet 30 of 51 for Anchor Bolt installation details.
All structural steel for the fixed bearings including plate materials and pintles shall be AASHTO M270 Grade 50, except shim plates.
Two 1/8" adjusting shims shall be provided for each bearing in addition to all other plates or shims and placed as shown on bearing details.



PINTLE

DESIGNED	Michael D. Cima
CHECKED	Fess Teklehaimanot
DRAWN	BECKY M. LEACH
CHECKED	M.D.C. & F.T.

EXAMINED	Thomas J. Damagala	January 22, 2007
PASSED	Ralph E. Anderson	

BEARING DETAILS
F.A.I. RT. 57 SEC. (X1-6-2)VB-2
WILLIAMSON COUNTY
STA. 1516+58.56
S.N. 100-0086 (N.B.)
S.N. 100-0087 (S.B.)