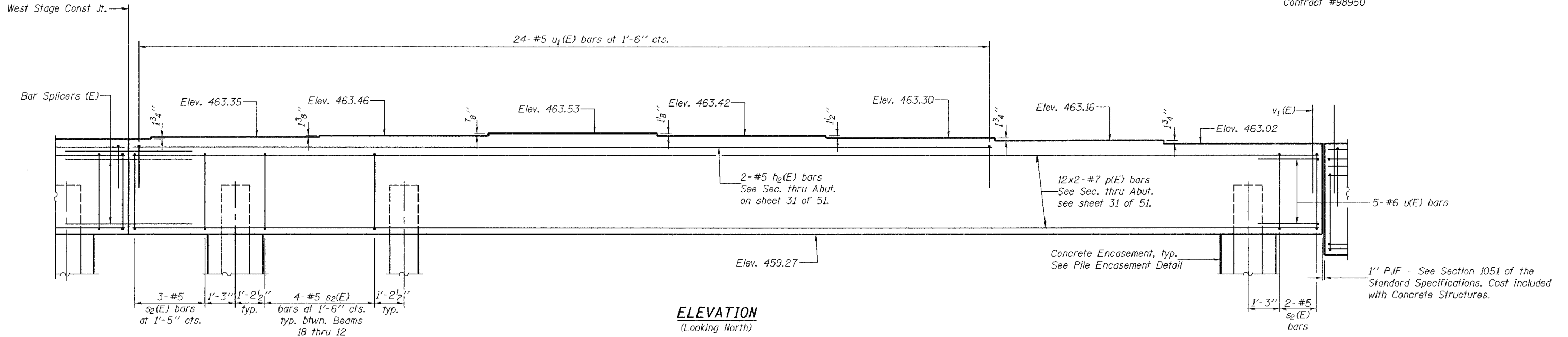


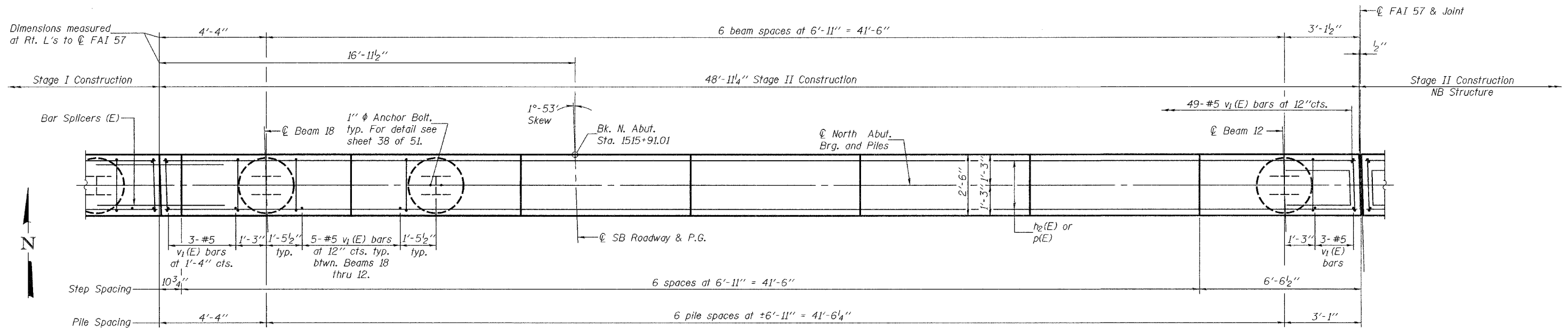
STATE OF ILLINOIS
DEPARTMENT OF TRANSPORTATION

ROUTE NO.	SECTION	COUNTY	STATES	SHEET NO.	SHEET NO. 32
F.A.I. 57	XI-6-2) VB-2	WILLIAMSON	917	865	51 SHEETS
FED. ROAD DIST. NO. 7		ILLINOIS		FED. AID PROJECT-	

Contract #98950



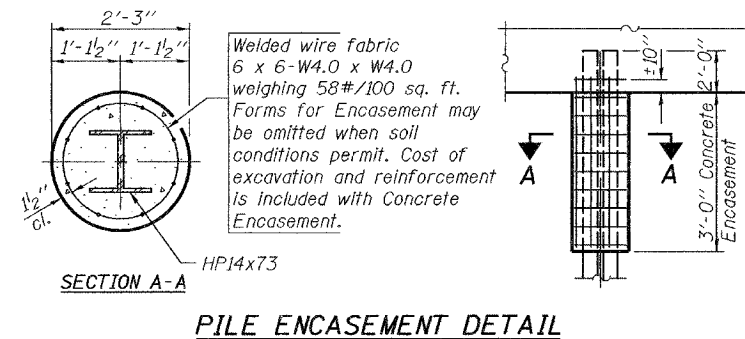
ELEVATION
(Looking North)



PLAN

MIN. BAR LAP
#7 bar = 4'-10"

Notes: Four steps monolithically with cap.
Space reinforcement in cap to miss anchor bolts.
For Anchor Bolt installation details see sheet 30 of 51.
For Bar Splicer details see sheet 48 of 51.
For bar bending details and Field Cutting Diagram see sheet 33 of 51.
Bars indicated thus 12x2-#7 indicates 12 lines of bars with 2 lengths per line.
For Bill of Materials see sheet 31 of 51.



NORTH ABUTMENT (STAGE II - SB)
F.A.I. RT. 57 SEC. (XI-6-2)VB-2
WILLIAMSON COUNTY
STA. 1516+58.56
S.N. 100-0086 (N.B.)
S.N. 100-0087 (S.B.)

DESIGNED	Michael D. Cima	EXAMINED	Thomas J. Domagala
CHECKED	Fess Teklehaimanot	PASSED	Ralph E. Anderson
DRAWN	BECKY M. LEACH		
CHECKED	M.D.C. & F.T.		

January 22, 2007